

Assembly Instruction

Figure 1

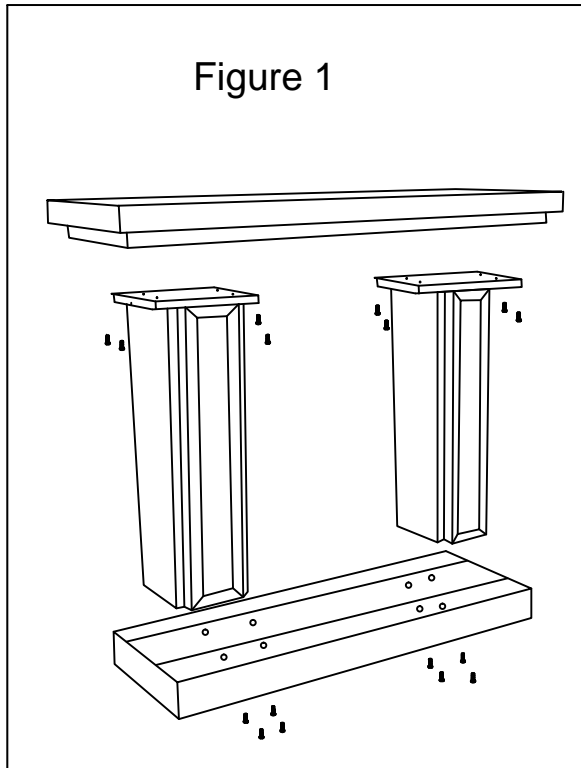
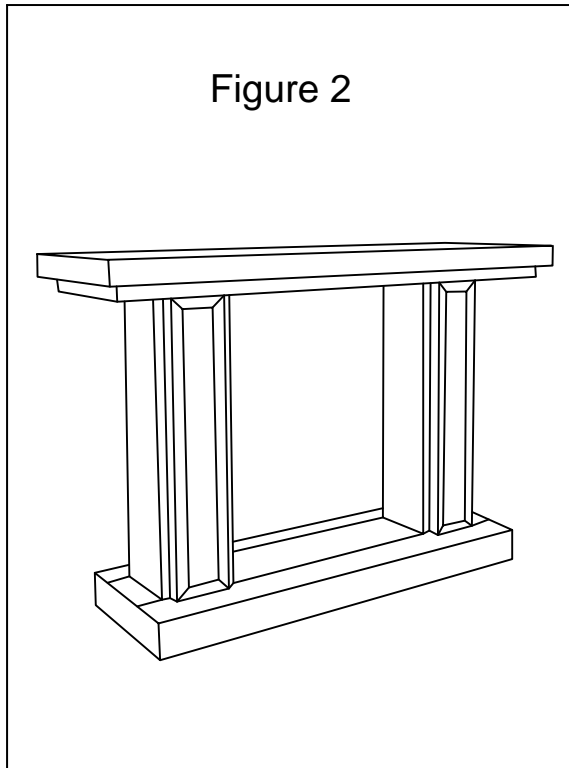
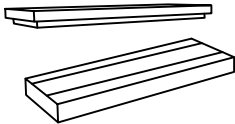
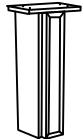




Figure 2



Parts Details

Part No		QTY
A		2PCS
B		2PCS
1		18PCS
2		1PC