

Assembly Instruction

Figure 1

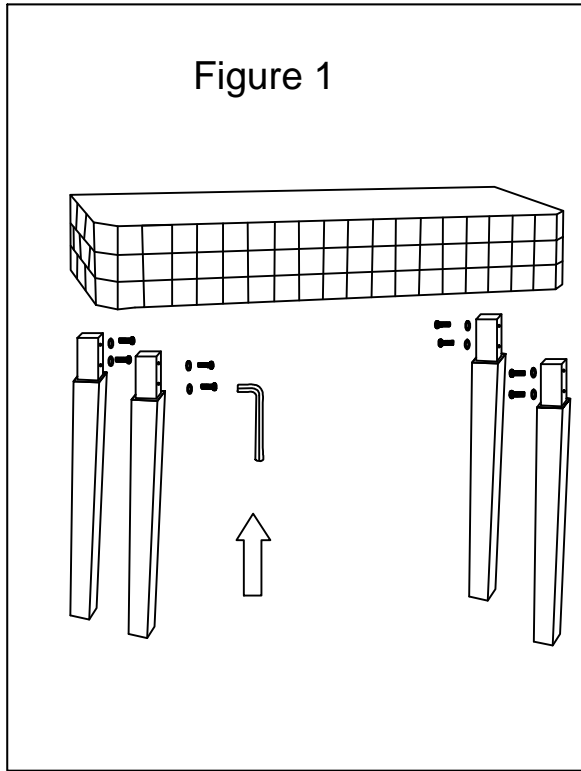
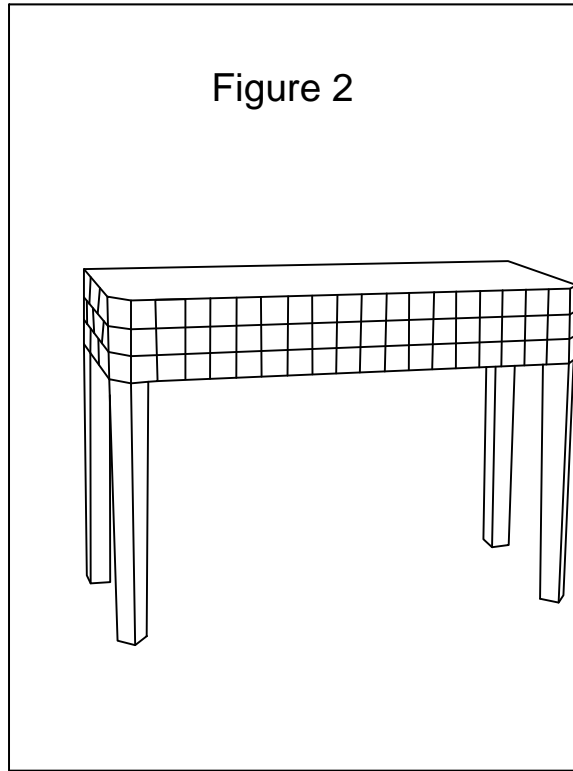
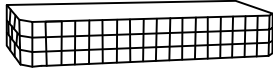



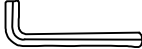


Figure 2



Parts Details

Part No		QTY
A		1PCS
B		4PCS
1	 6*35mm	8PCS
2		8PCS
3		1PCS

Article number:89370112