

# Assembling Instruction

Figure 1

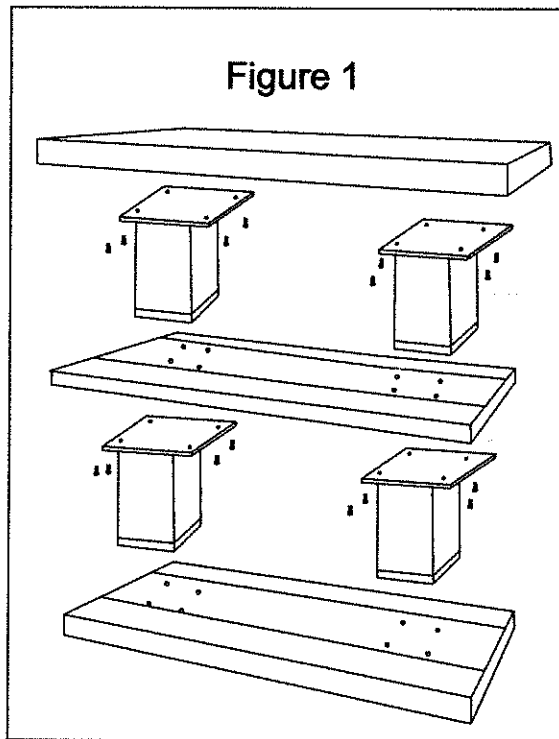
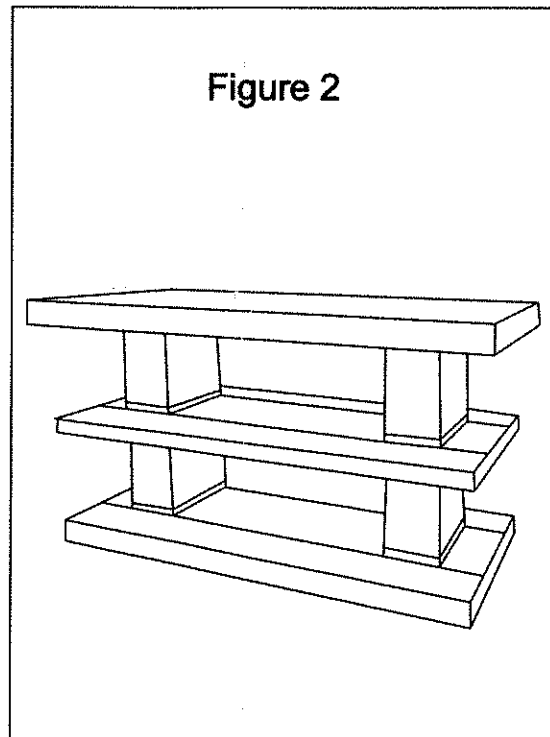
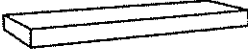





Figure 2



Parts Details

Part No		QTY
A		3PCS
B		4PCS
1	 O	32PCS
2		1PC