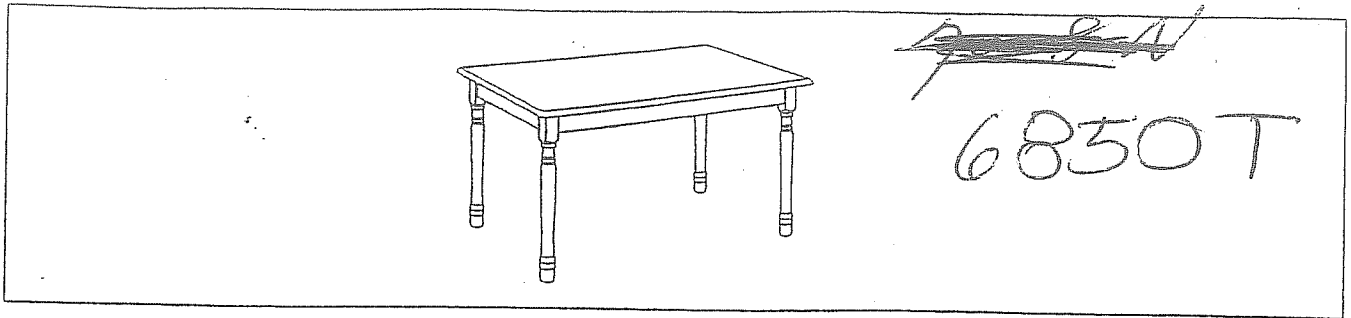




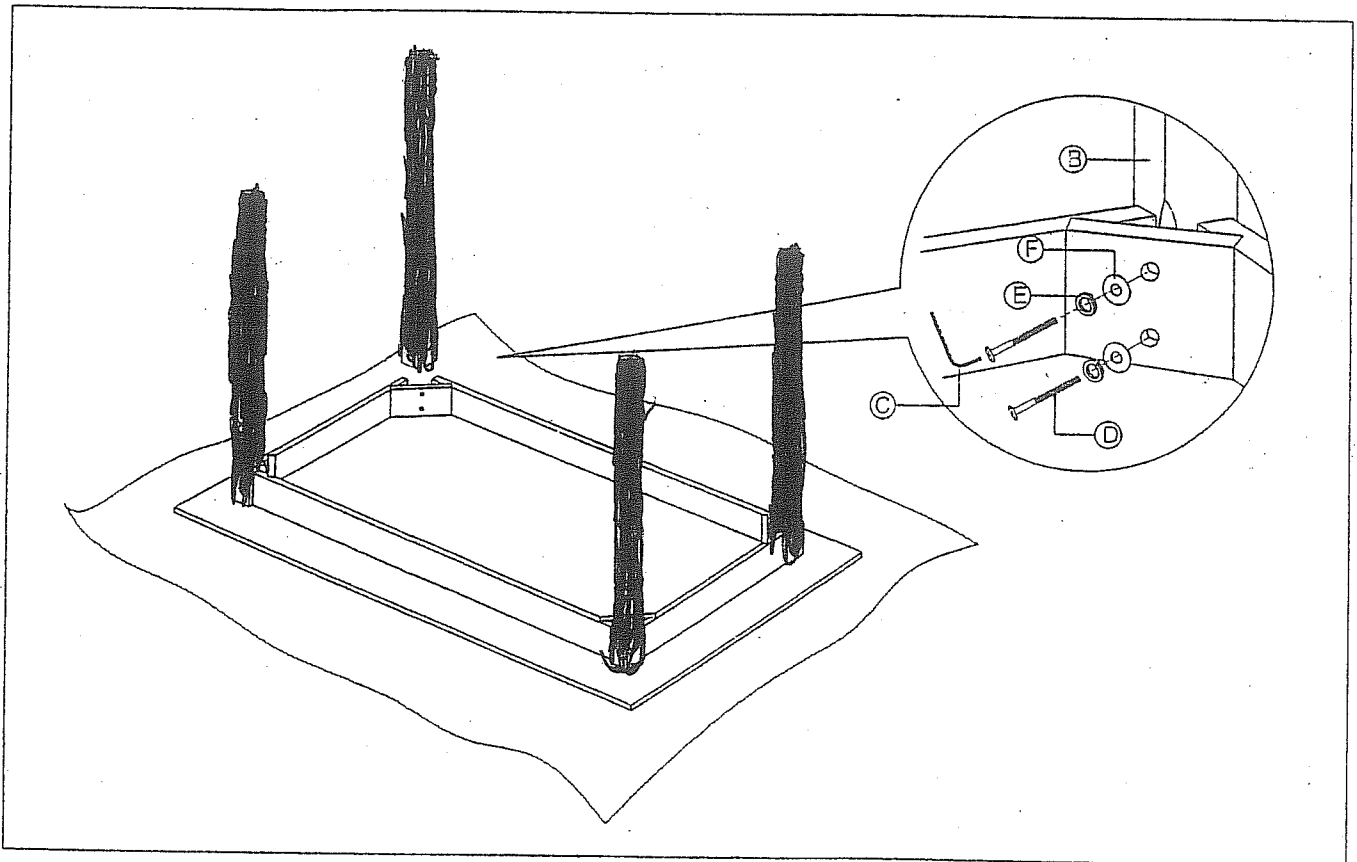


ASSEMBLY INSTRUCTION



	PARTS LIST	QTY.
A	TABLE TOP	1 pc.
B	TABLE LEG	4 pcs.

	HARDWARE LIST		QTY.
C	ALLEN KEY		1 pc.
D	M6 x 60 JCBC SCREW		8 pcs.
E	SPRING WASHER		8 pcs.
F	FLAT WASHER		8 pcs.



STEP 1

Position the Table Top (A) upside down on a soft flat surface to prevent scratches.

STEP 2

Attach Table Leg (B) to the corner of Table Top (A). Align the holes, use JCBC Screw (D), Spring Washer (E) and Flat Washer (F) to assemble them together. Tighten it with Allen Key (C).