

ASSEMBLY INSTRUCTION

80506/07

CHAIRSIDE TABLE

ASSEMBLY INSTRUCTION

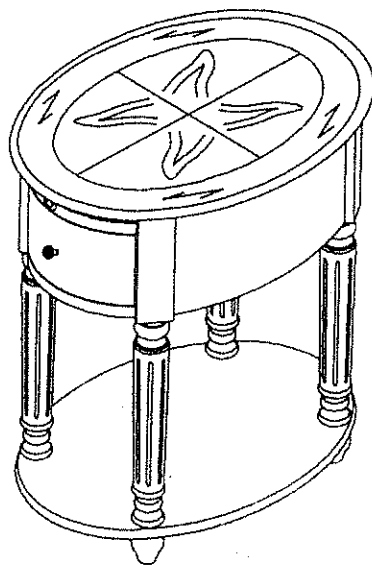
ASSEMBLY TIPS :

- 1 . Remove hardware from box and sort by size .
- 2 . Please check to see that all hardware and parts are present prior start of assembly .
- 3 . Please follow attached instructions in the same sequence as numbered to assure fast & easy assembly .

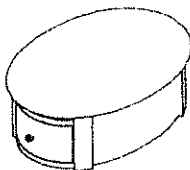
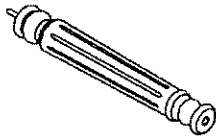
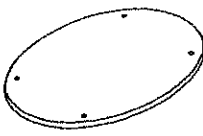



Warning !

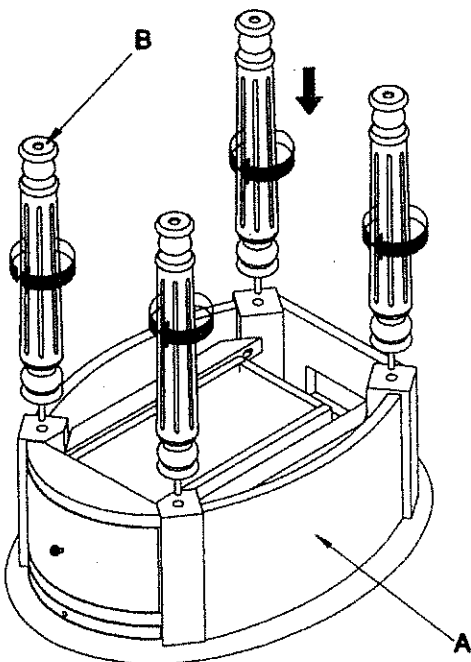
- 1 . Don't attempt to repair or modify parts that are broken or defective . Please contact the store immediately .
- 2 . This product is for home use only and not intended for commercial establishment .



PARTS IDENTIFICATION

A		TABLE TOP	1PC
B		LEG	4PCS
C		SHELF	1PC
D		FOOT	4PCS

STEP 1



STEP 2

