

ASSEMBLY INSTRUCTIONS 6851 - ITEM NO : C 216 DINING CHAIR

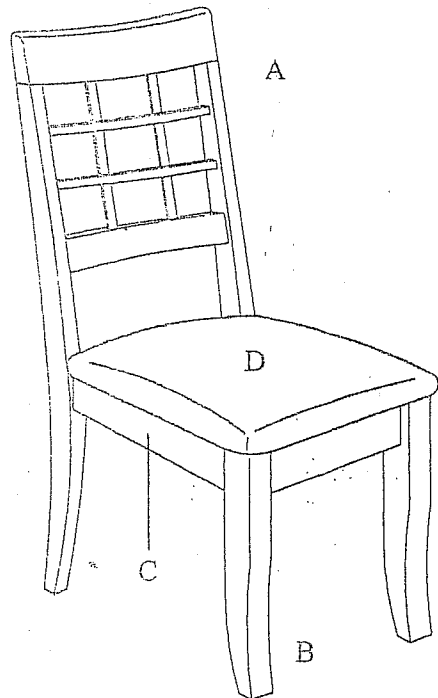
Read instruction carefully . Remove all wrapping material , staples and packing straps from the carton . See furniture Parts List and Hardware List for guide . Be sure you have all parts before you start assembling . Place all wooden furniture parts on a clean flat soft surface , such as carpet or rug to prevent scratches .

PARTS LIST

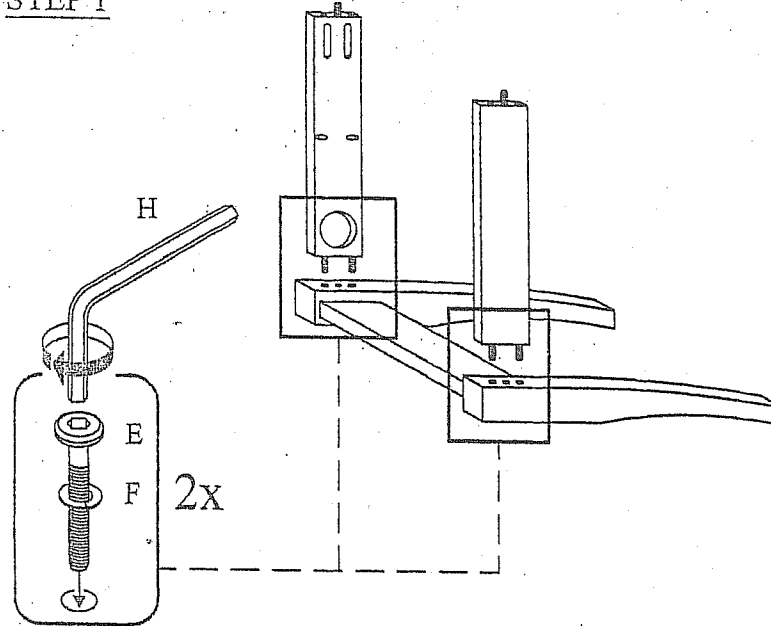
NO	DESCRIPTION	QTY
A	CHAIR BACK FRAME	1 PC.
B	FRONT LEG FRAME	1 PC.
C	SIDE RAIL (LEFT & RIGHT)	2 PCS.
D	CUSHION SEAT	1 PC.

HARDWARE LIST

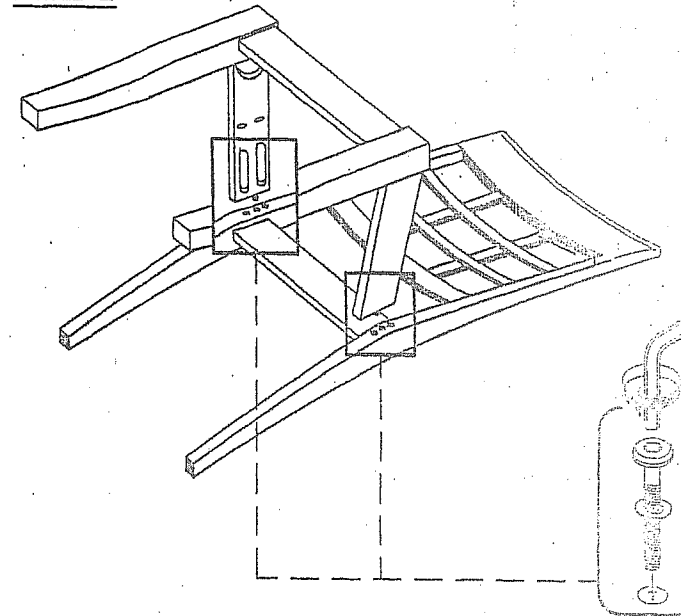
NO	DESCRIPTION	QTY
E	JCBC SCREW M6 x 50 MM	6 PCS
F	SPRING WASHER 1/4"	6 PCS
G	WOOD SCREW M4 x 32 MM	3 PCS
H	ALLEN KEY	1 PC
I	WOOD DOWEL	6 PCS



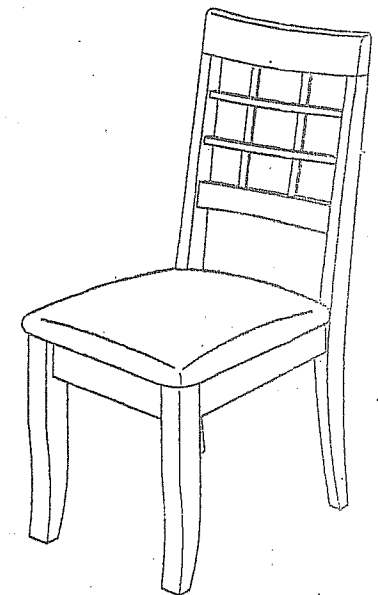
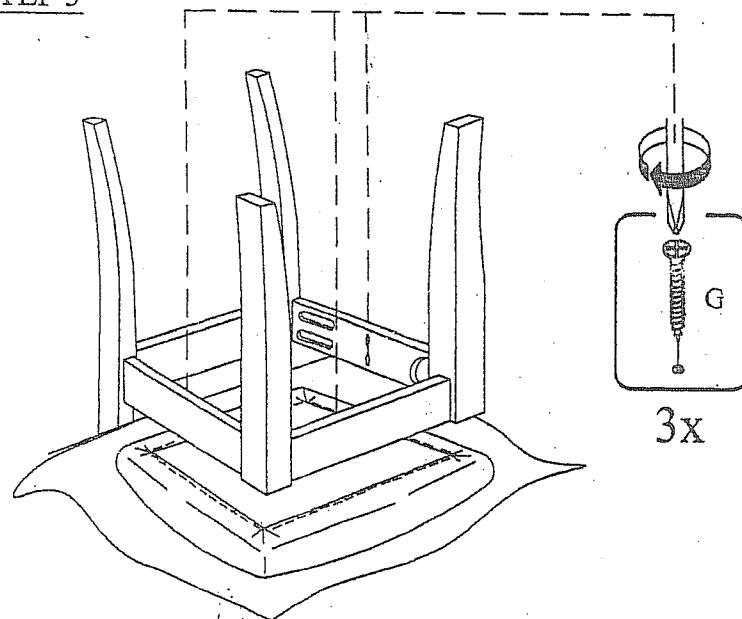
STEP 1



STEP 2



STEP 3



COMPLETED CHAIR ASSEMBLY