

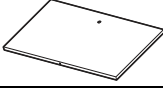
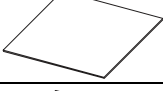






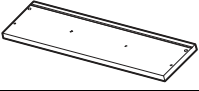

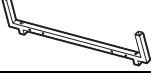
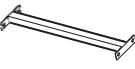


ASSEMBLY INSTRUCTION FOR ACME FURNITURE



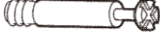


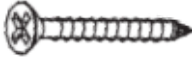





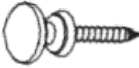

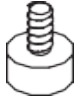





MODEL#97555

Thank you for purchasing this quality product. Be sure to check all packing material carefully for small parts which may have come loose inside the carton during shipment. Separate, identify and count all parts and metal hardware. Compare with parts list to be sure all parts are present. If any part(s) are missing or damaged, please contact your local furniture dealer. For efficient and speedy service, please indicate the model number and code letter of part(s) needed.

*****Do not fully tighten screws until fully assembled*****

COMPONENT PARTS		
DESCRIPTION	PART NAME	Q'TY (PCS)
①	TOP BOARD 	1
②	BOTTOM BOARD 	1
③	TRAY 	1
④	BACK BOARD 	1
⑤	DRAWER BOTTOM BOARD 	1
⑥	LEFT BOARD 	1
⑦	RIGHT BOARD 	1
⑧	DRAWER RIGHT BOARD 	1
⑨	DRAWER LEFT BOARD 	1
⑩	DRAWER FRONT BOARD 	1
⑪	DRAWER BACK BOARD 	1
⑫	SUPPORT BAR 	1
⑬	LEG 	2
⑭	STRETCHER 	2

HARDWARE REQUIRED

(A)		GLIDES	17X310mm	2 PCS
(B)		HANDLE	200mm	1 PCS
(C)		CAM BOLT	35mm	6 PCS
(D)		CAM LOCK	15mm	6 PCS
(E)		WOOD DOWEL	8X30mm	6 PCS
(F)		SCREW	8X32mm	8 PCS
(G)		BOLT	1/4"X50mm	4 PCS
(H)		BOLT	1/4"X18mm	1 PCS
(I)		BOLT	1/4"X12mm	8 PCS
(J)		SCREW	3X12mm	4 PCS
(K)		SCREW	M4X12mm	2 PCS
(L)		KNOB	17mm	1 PCS
(M)		SCREW	M4X20mm	2 PCS
(N)		LEVELER	1/4"X12mm	4 PCS
(O)		END CAP	20X20mm	4 PCS
(P)		ALLEN KEY	4X57mm	1 PCS
(Q)		WOOD DOWEL	5X25mm	4 PCS
(R)		HOLDER	15mm	4 PCS
(S)		SCREW	3X19mm	4 PCS

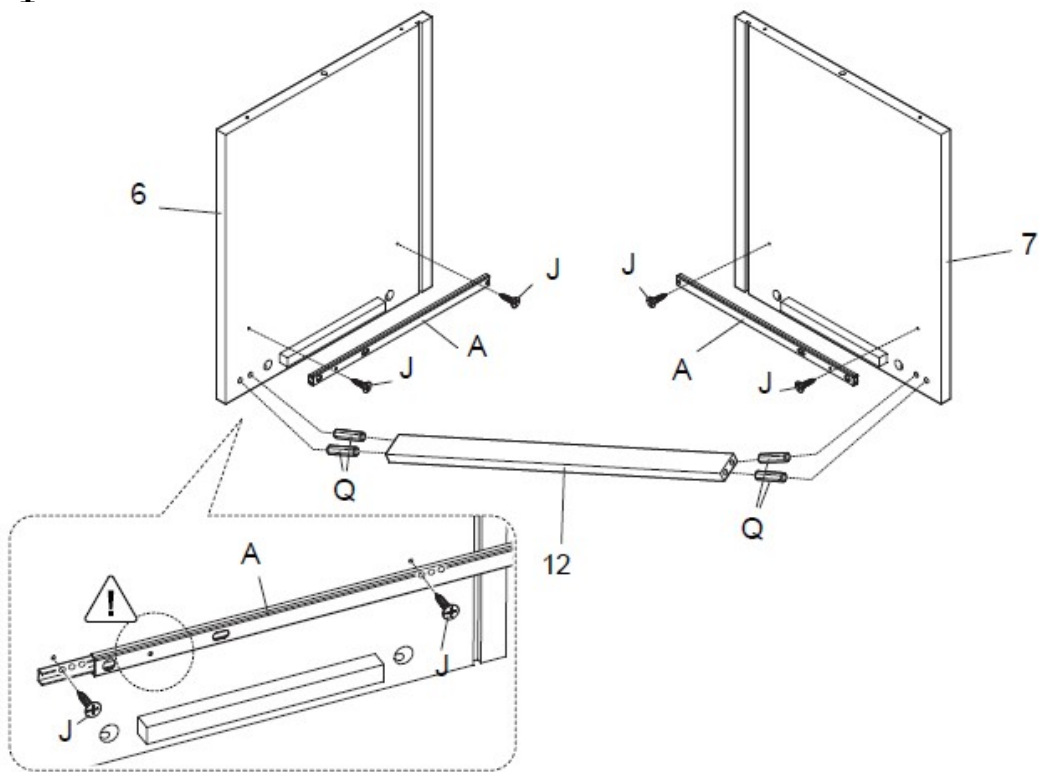
Attention

***Some number parts listed on the instruction sheet may not be in parts bag as they may be assembled.

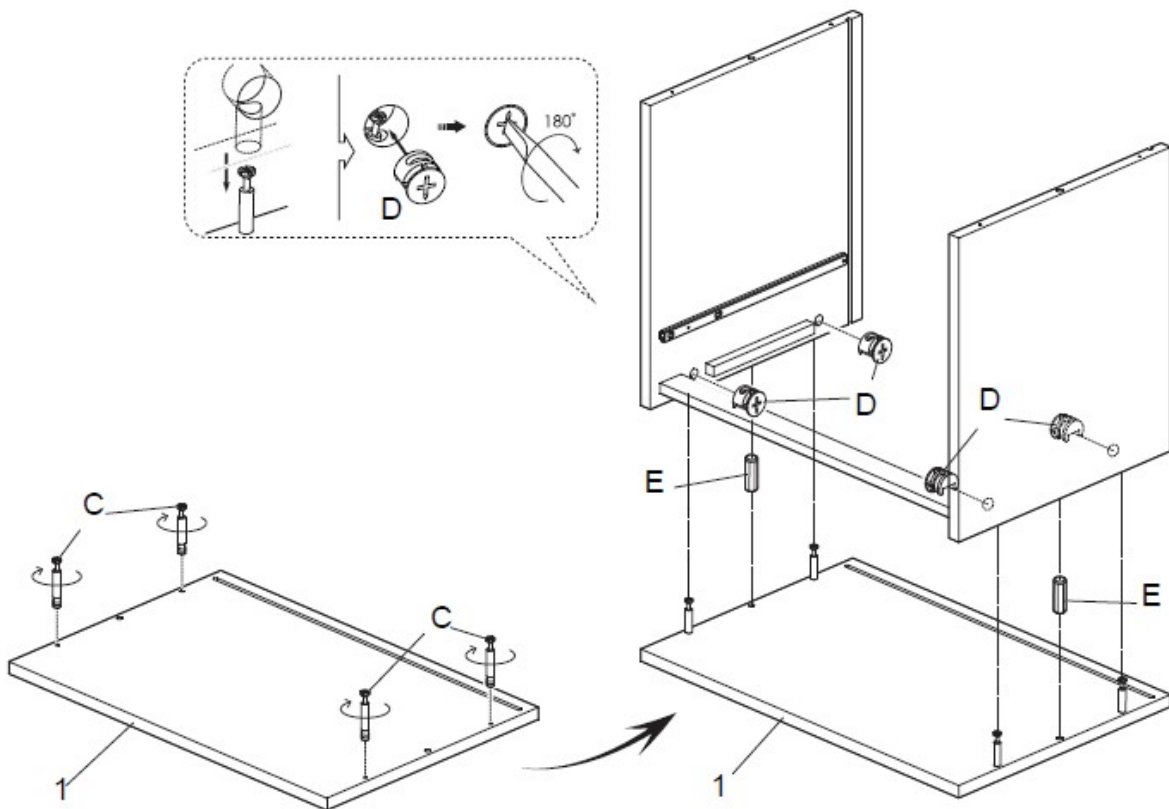
Carefully check parts and packing materials prior to ordering replacements.

How to assemble:

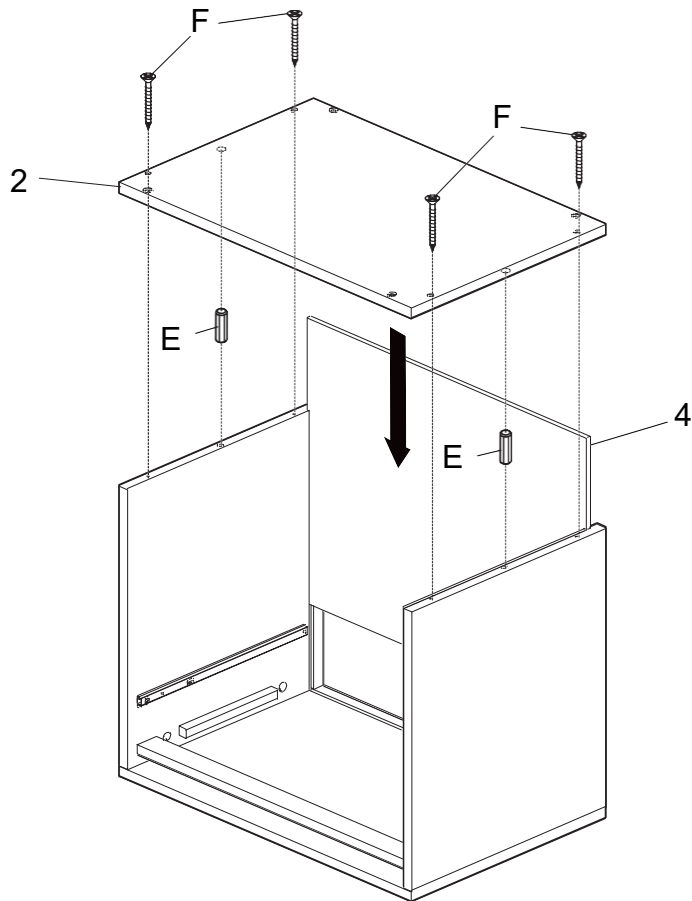
STEP 1



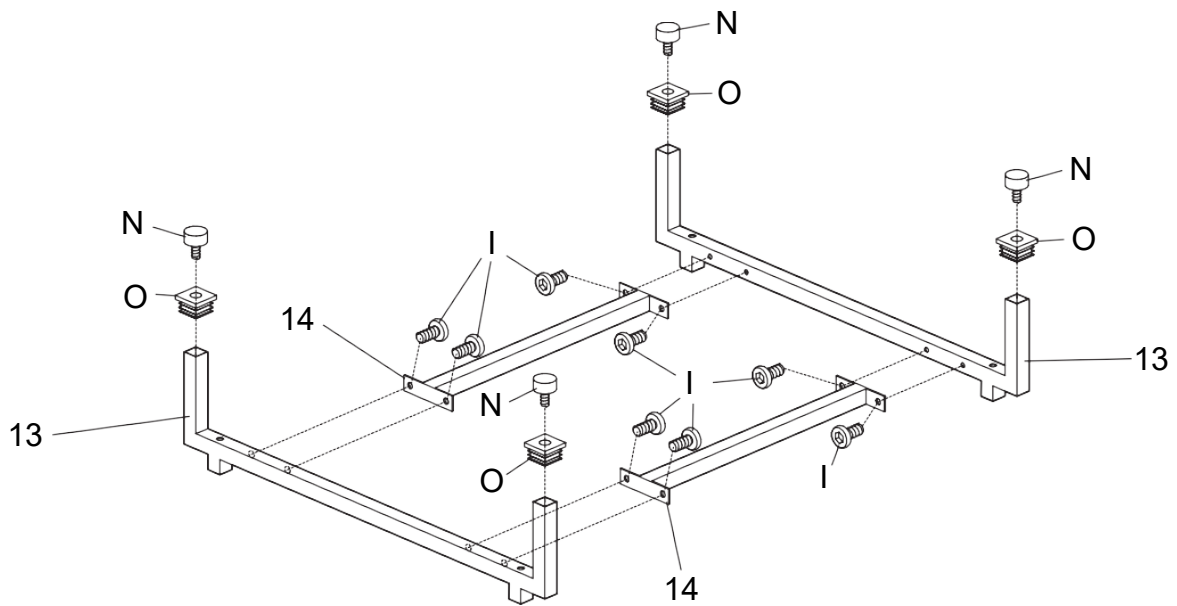
STEP 2



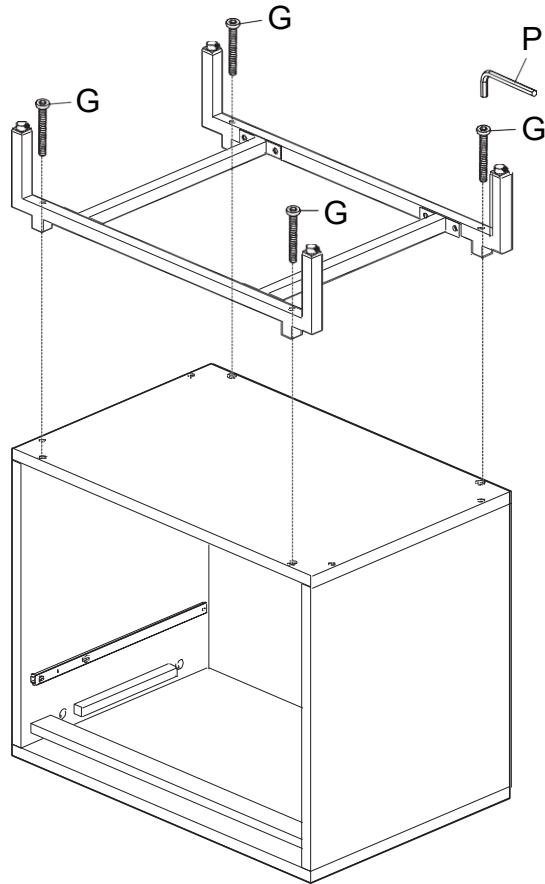
STEP 3



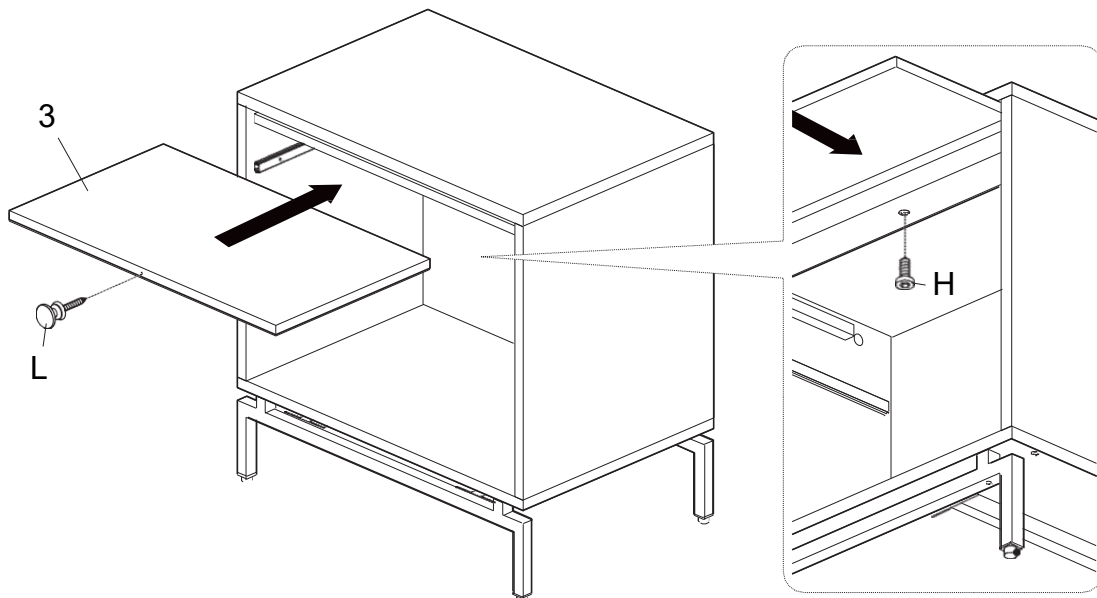
STEP 4



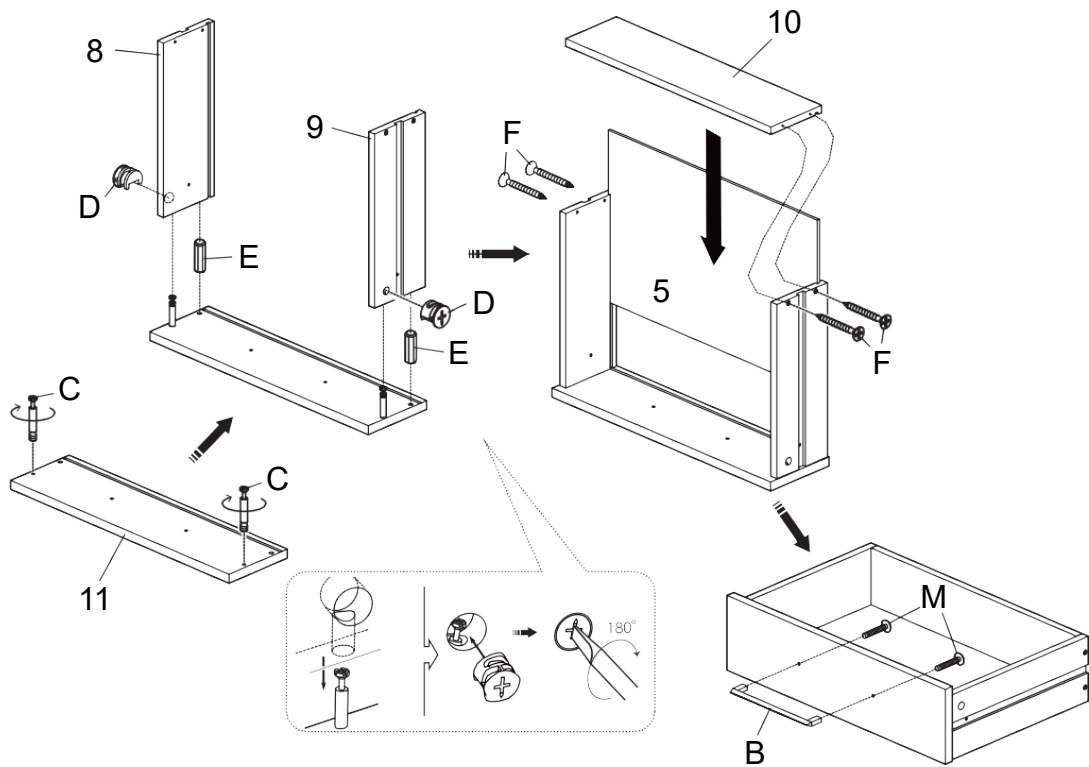
STEP 5



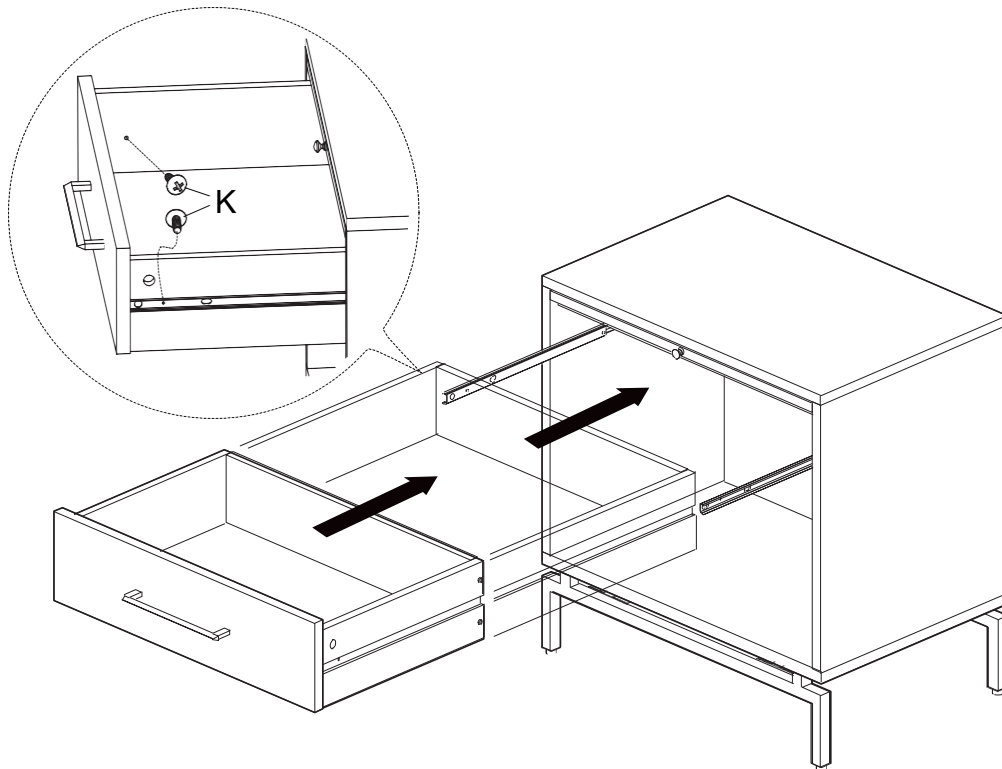
STEP 6



STEP 7



STEP 8



STEP 9

