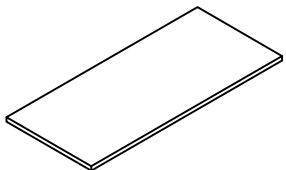


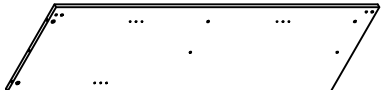
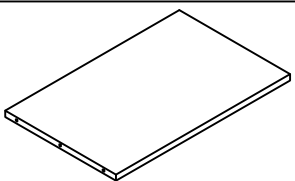
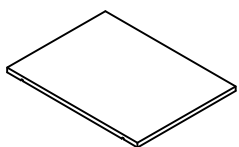
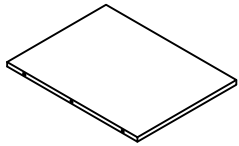


ASSEMBLY INSTRUCTION FOR ACME FURNITURE

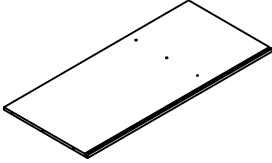
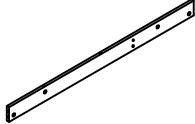
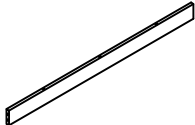
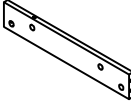
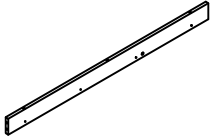
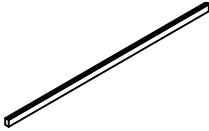

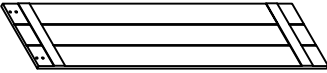

MODEL# 98092/98093 WARDROBE




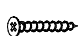
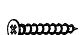



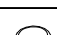
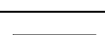

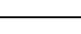
Thank you for purchasing this quality product. Be sure to check all packing materials carefully for small parts which may have come loose inside the carton during shipment. Separate, identify, and count all parts and metal hardware. Compare with parts list to be sure all parts are present. If any part(s) are missing or damaged, please contact your local furniture dealer. For efficient and speedy service, please indicate the model number and code letter of the part(s) needed.




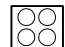



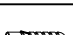


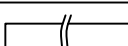
***** Do not fully tighten screws until fully assembled *****

COMPONENT PARTS		
DECERPTION	PART NAME	Q'TY(PCS)
1	TOP 	1PC
2	LEFT SIDE PANEL 	1PC
3	DIVIDER PANEL 	1PC
4	RIGHT SIDE PAEL 	1PC
5	LEFT SHELF 	1PC
6	ADJUSTABLE SHELF 	2PCS
7	RIGHT SHELF 	1PC

COMPONENT PARTS

DECERPTION	PART NAME	Q'TY(PCS)
8	BOTTOM PANEL 	1PC
9	REAR BOTTOM CROSSBAR 	1PC
10	FRONT BOTTOM CROSSBAR 	1PC
11	MIDDLE BOTTOM CROSSBAR 	1PC
12	TOP FRONT SLAT 	1PC
13	SLIPWAY 	1PC
14	BACK SLAT 	2PCS
15	DOOR 	2PCS
16	BACK PANEL 	3PCS

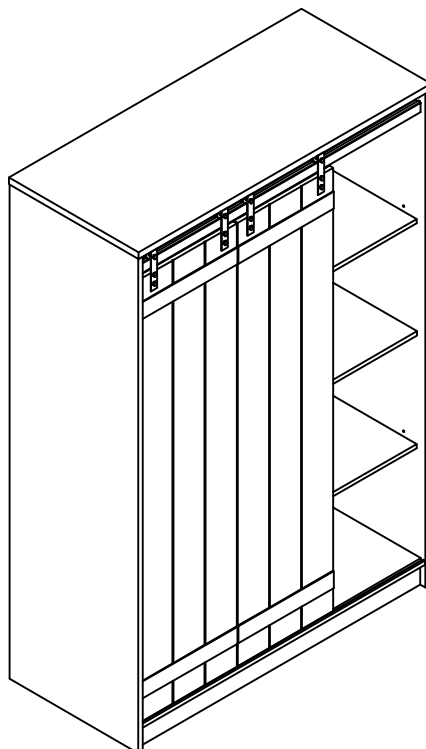
HARDWARE REQUIRED:			
A		L29	43pcs
B		Ø15	43pcs
C		Ø8x25	20pcs
D		Ø4x40	3pcs
E		Ø4x30	4pcs
F		Ø5x15	8pcs
G		Ø6x30	4pcs
H		M6x25	8pcs
I		M6	8pcs
J		140x40x30	4pcs
K		M10	2pcs
L		Ø4x16	4pcs

HARDWARE REQUIRED:			
M		32#	2pcs
N			70pcs
O		Ø16	7pcs
P		Ø22	12pcs
Q		197x5x1	1pc
R		Ø4x25	1pc
S		Ø5x40	1pc
T		Ø8x40	1pc
U		12x12x1	2pcs
V		Glue: For securing please apply to wood dowel first before inserting into panel	1pc
W		L761	1pc

Attention:

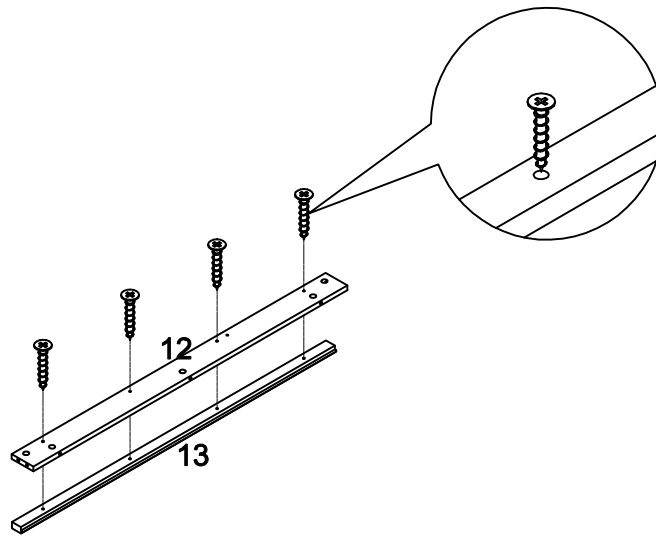
***Mattresses not included.

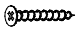
***Some number parts listed on the instruction sheet may not be in parts bag as they may already be assembled. Carefully check parts and packing materials prior to ordering replacements.



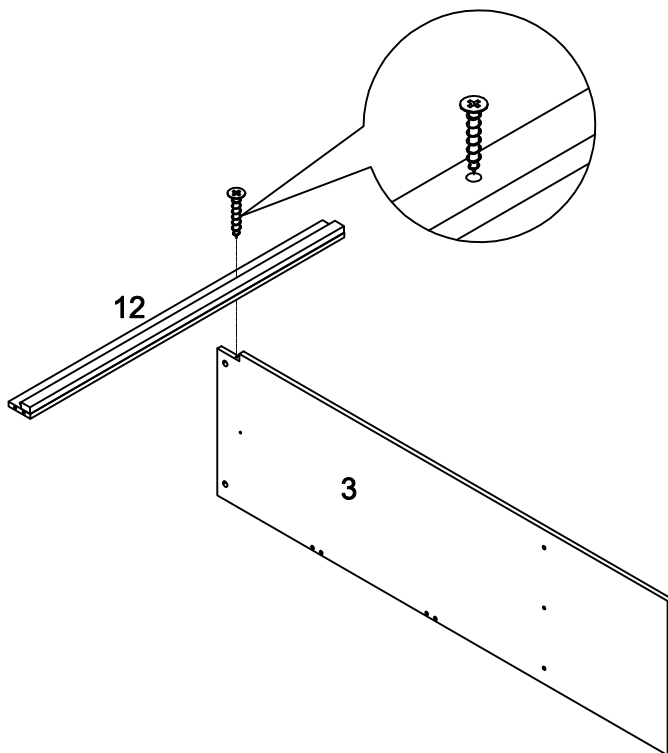
How to Assemble:

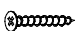
STEP 1.



E  4pcs

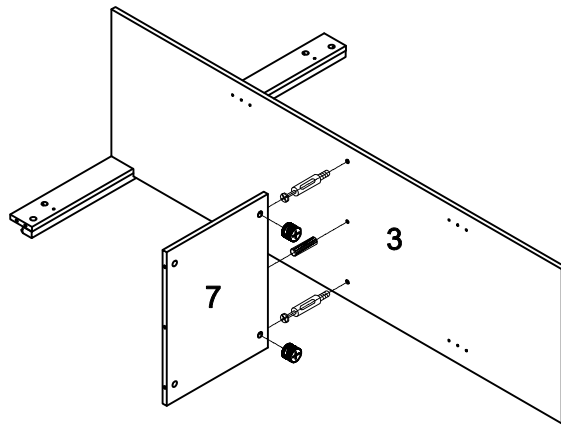
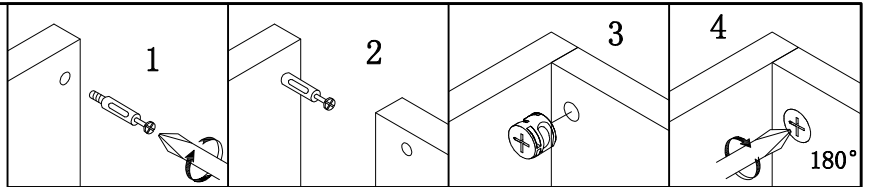
STEP 2.






D  1pc

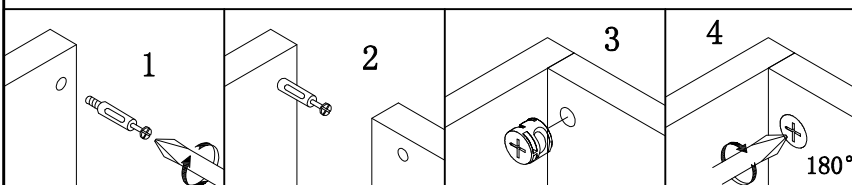
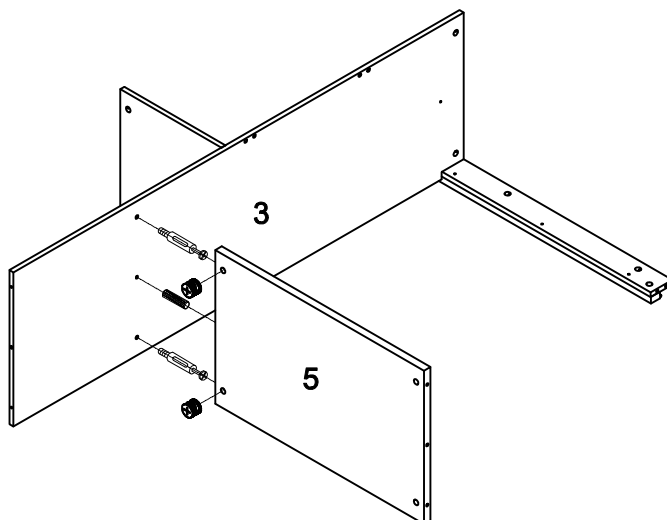
How to Assemble:




STEP 3.



A		2pcs
B		2pcs
C		1pc

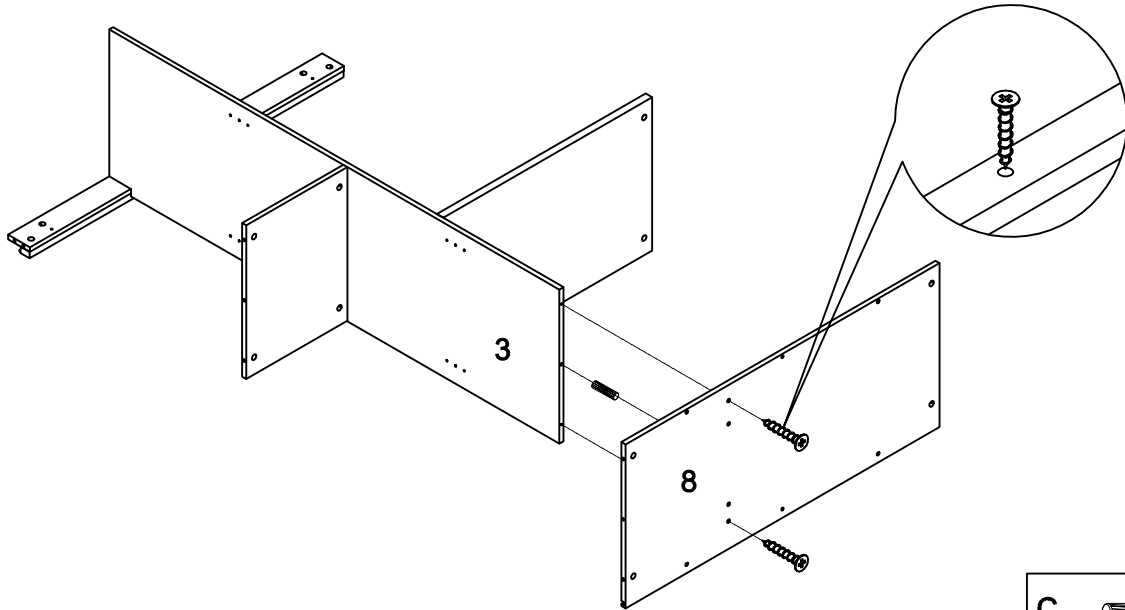
STEP 4.


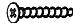


A		2pcs
B		2pcs
C		1pc

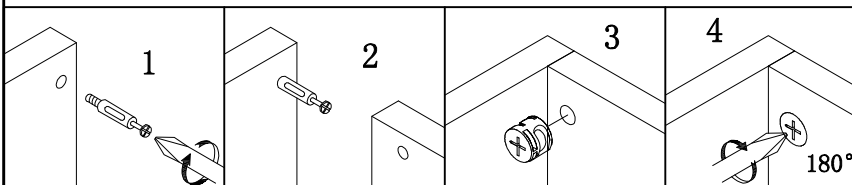
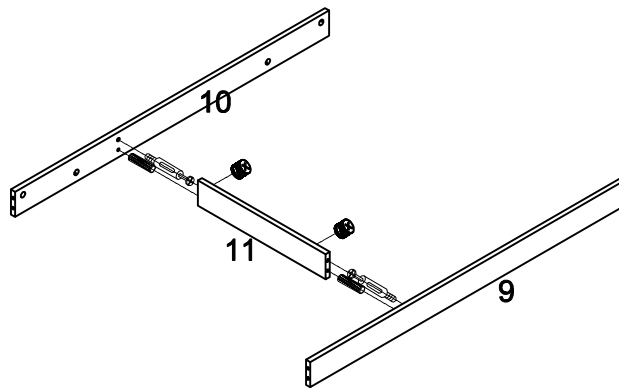
How to Assemble:




STEP 5.



C		1pc
D		2pcs

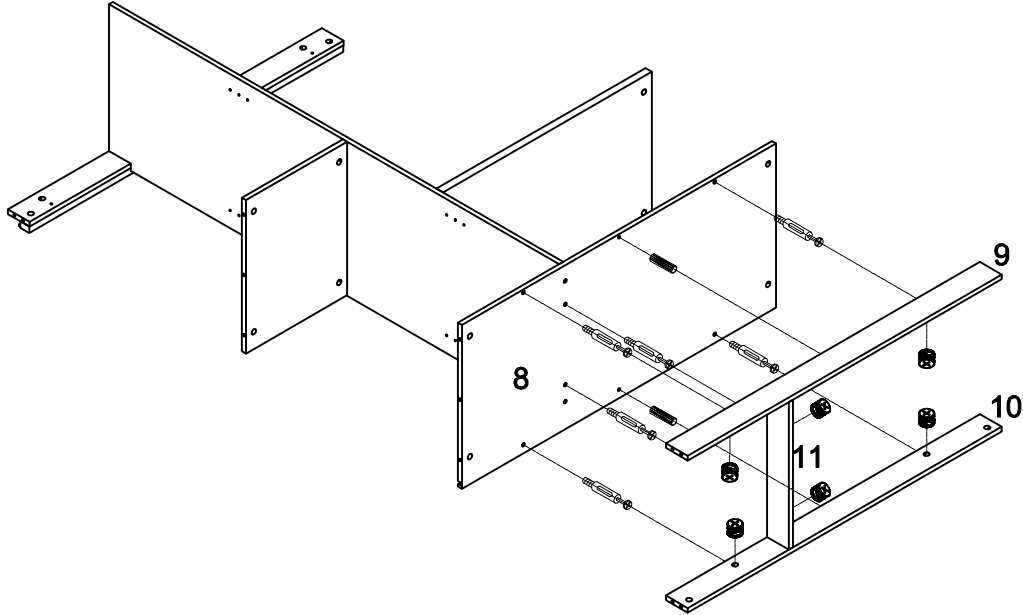
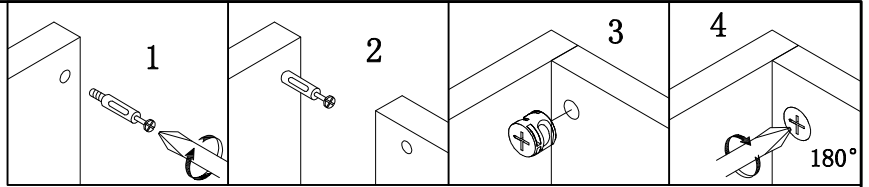
STEP 6.



A		2pcs
B		2pcs
C		2pcs

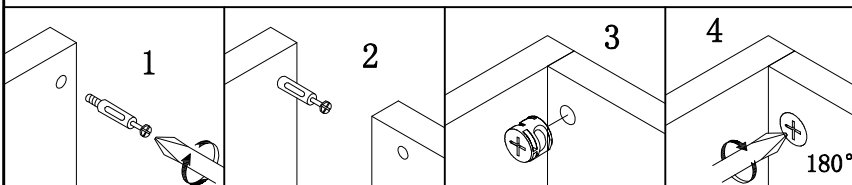
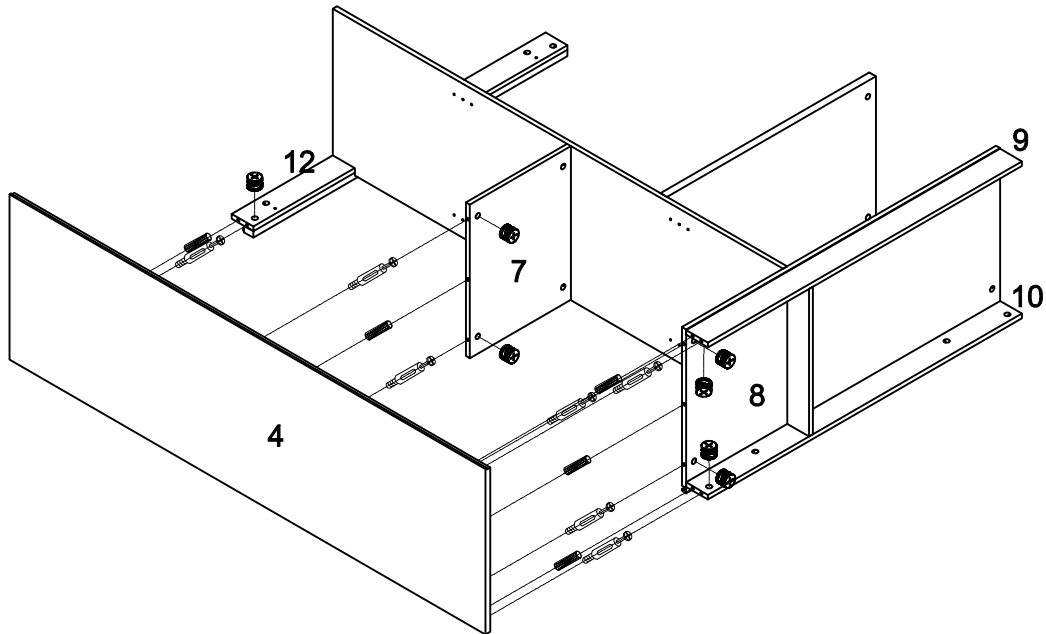
How to Assemble:

STEP 7.



A		6pcs
B		6pcs
C		2pcs

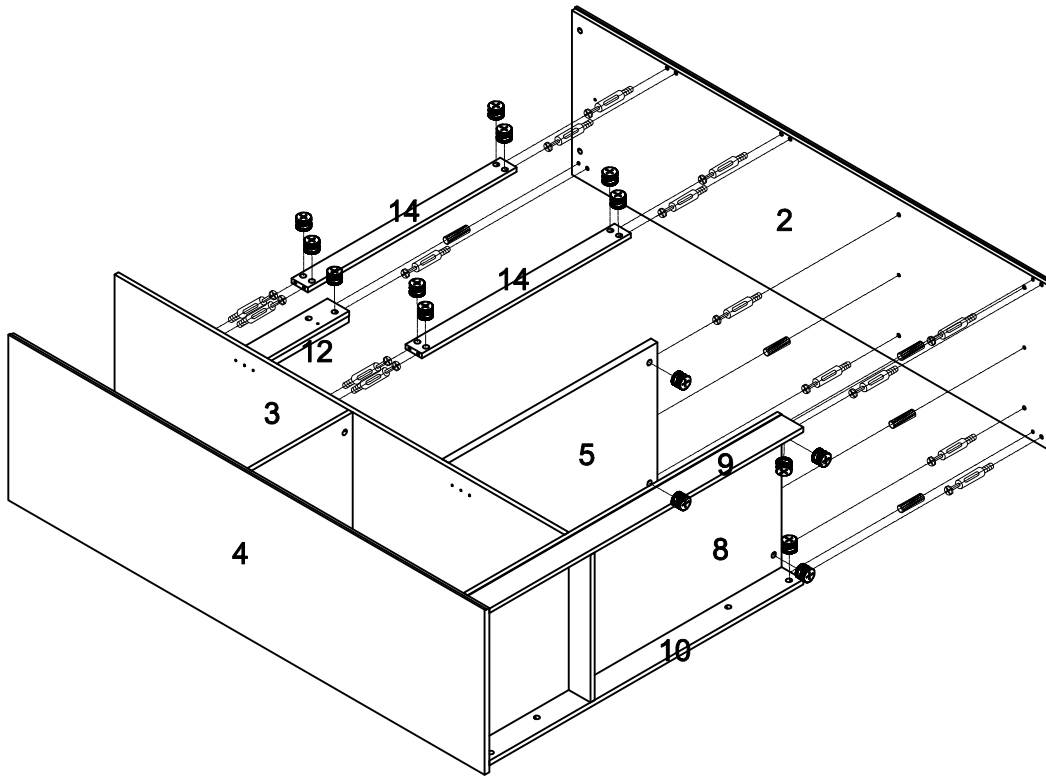
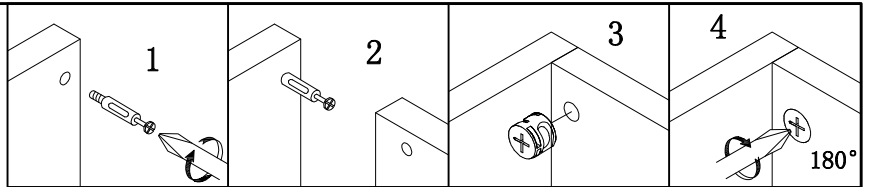
STEP 8.



A		7pcs
B		7pcs
C		5pcs

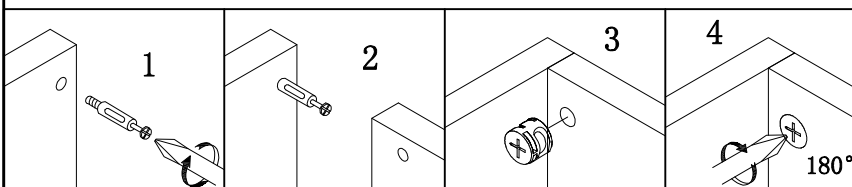
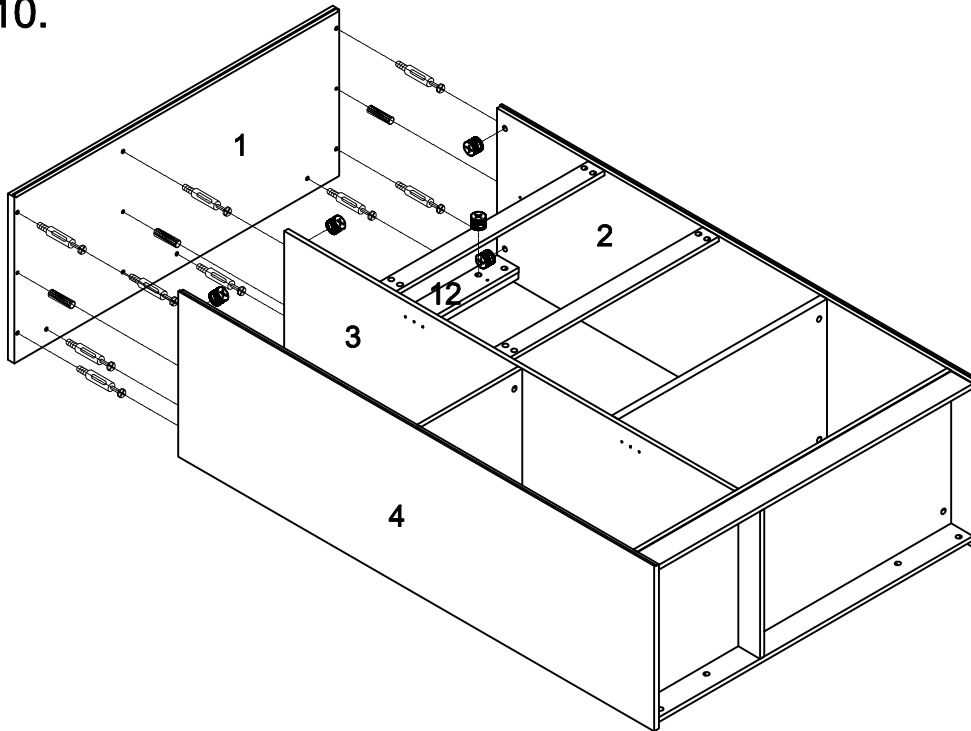
How to Assemble:

STEP 9.



A		15pcs
B		15pcs
C		5pcs

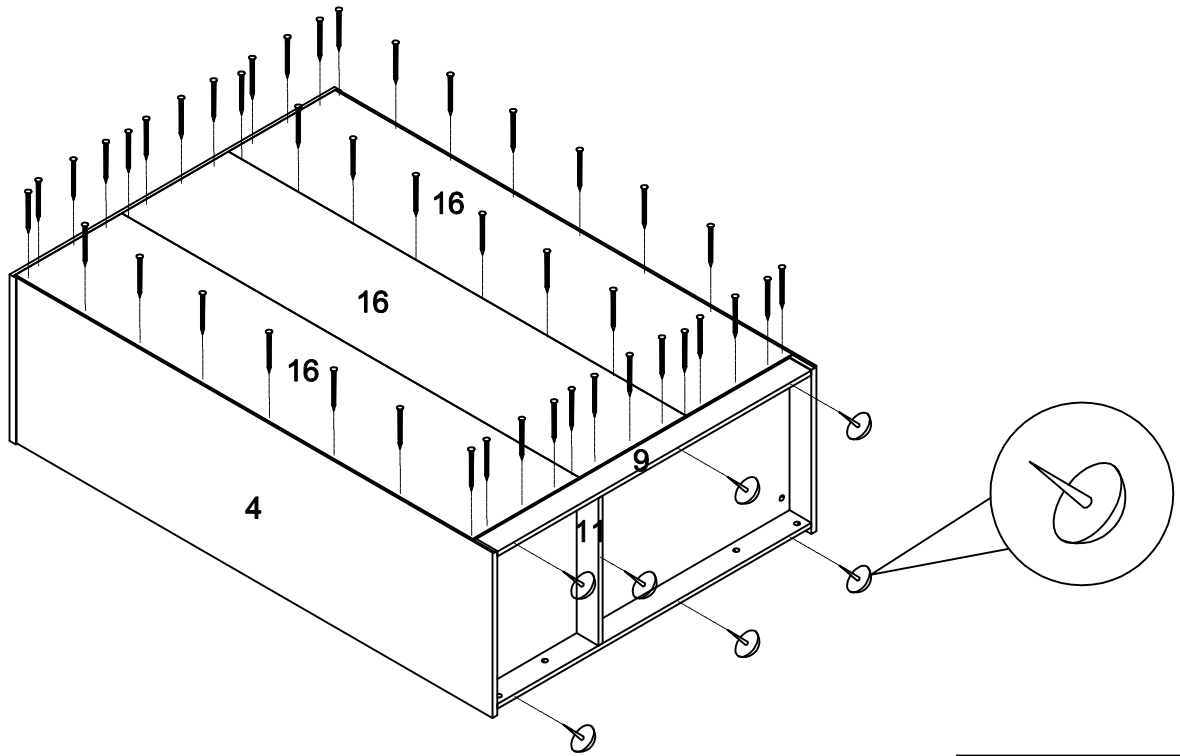
STEP 10.





A		9pcs
B		9pcs
C		3pcs

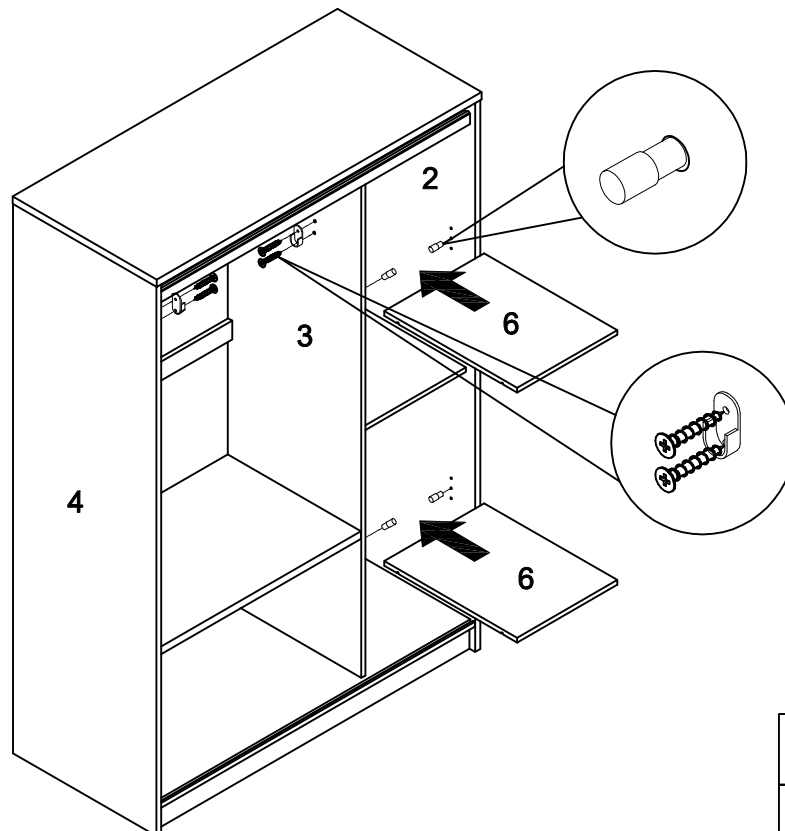
How to Assemble:




STEP 11.



N		70pcs
O		7pcs

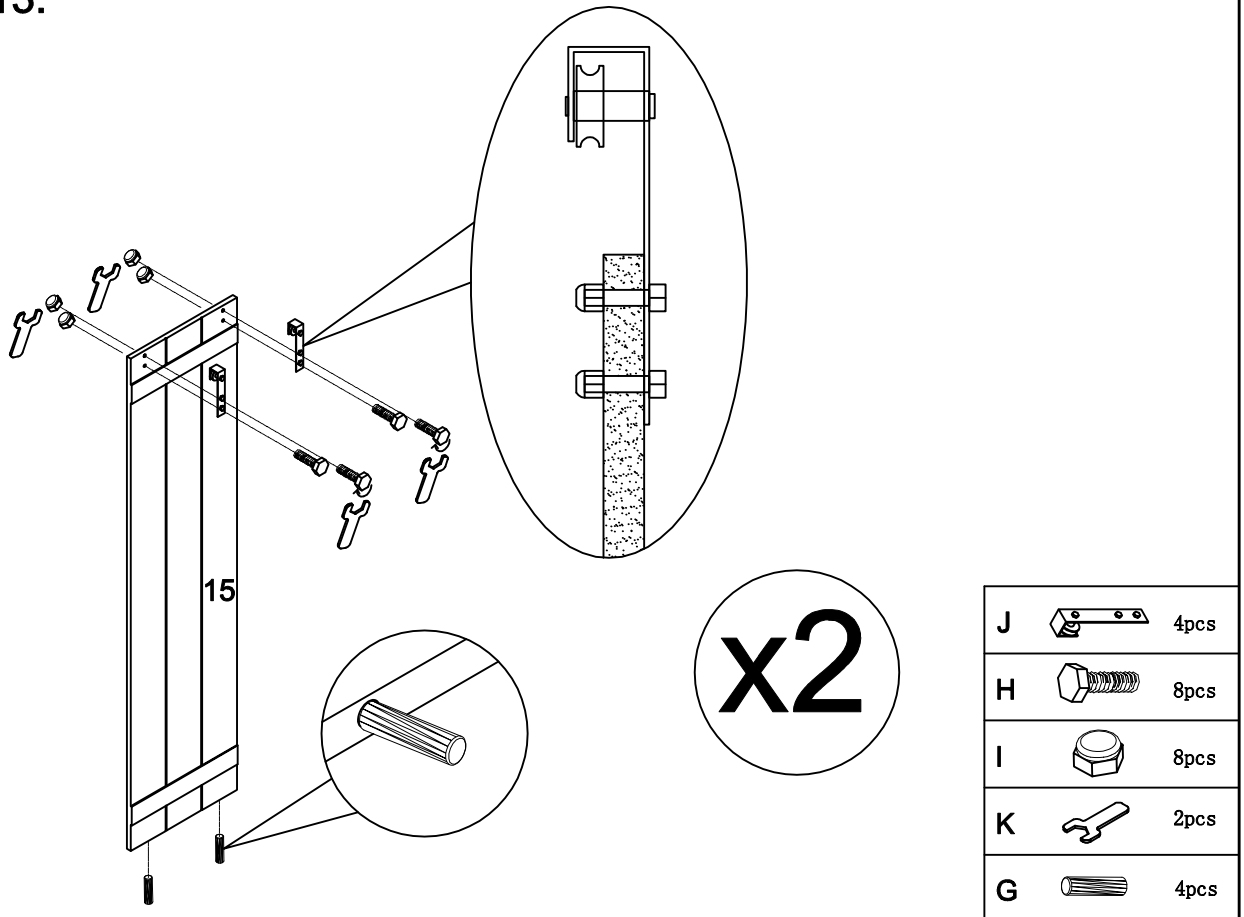
STEP 12.



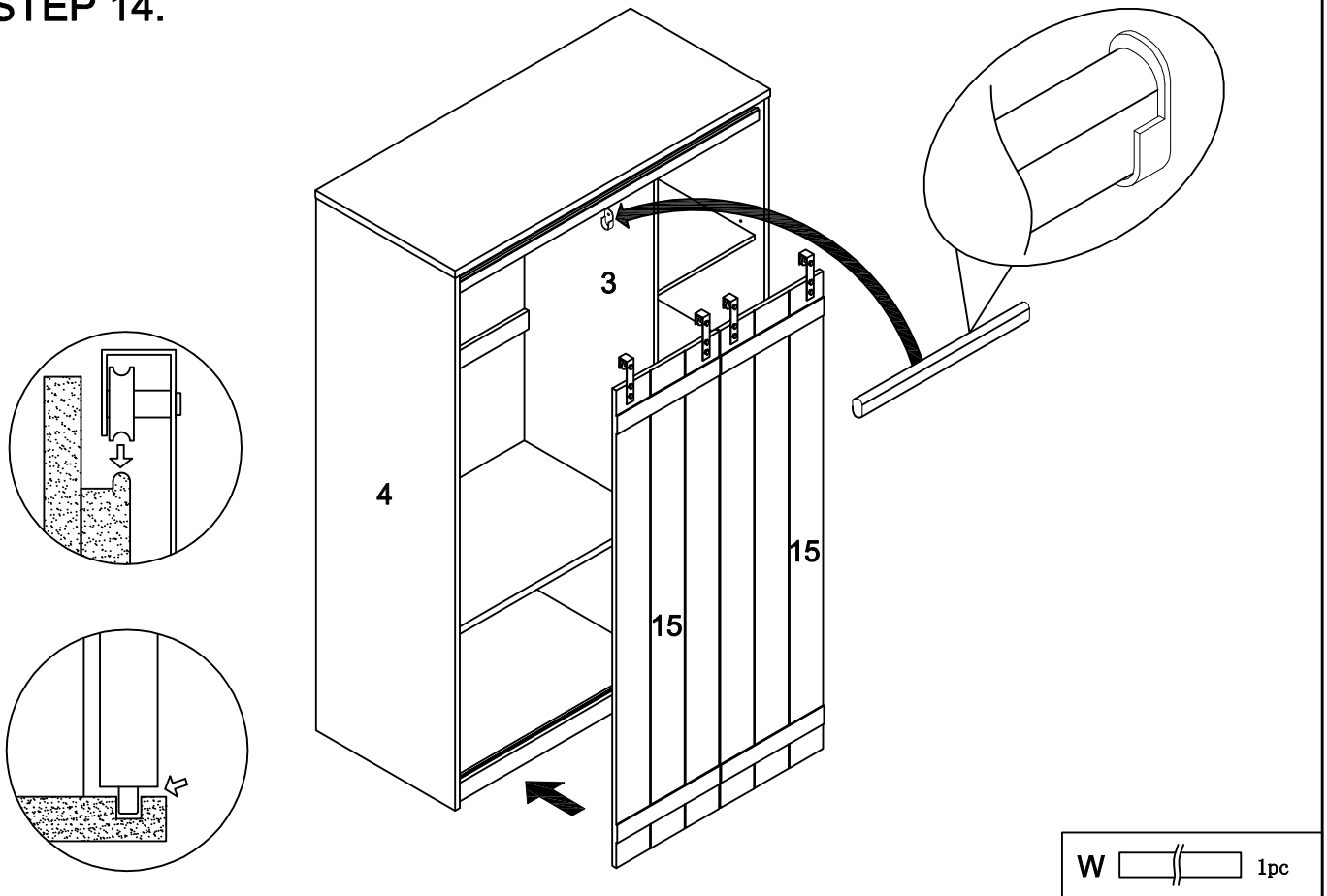
F		8pcs
L		4pcs
M		2pcs

How to Assemble:

STEP 13.

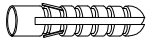


STEP 14.

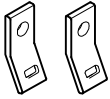


ANTI-TIPPING STRAP INSTRUCTION

HARDWARE (INCLUDED) :



DRYWALL ANCHOR $\phi 8 \times 40$ X 1PC



METAL BRACKETS $12 \times 12 \times 1$ X 2PCS



DRYWALL SCREW $\phi 5 \times 40$ X 1PC

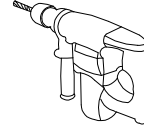


STRAP $197 \times 5 \times 1$ X 1PC



FLATHEAD SCREW $\phi 4 \times 25$ X 1PC

TOOLS NEEDED (NOT INCLUDED) :



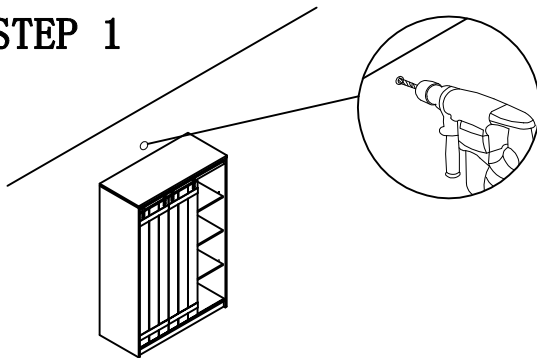
DRILL & DRILL BIT



LIGHT HAMMER

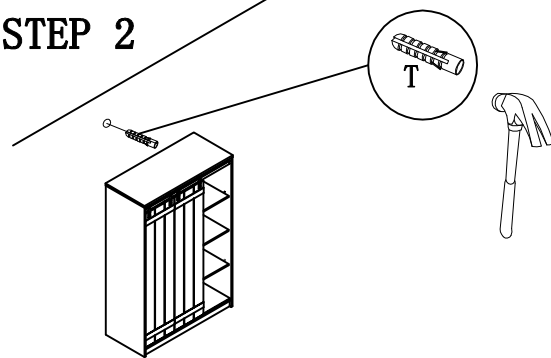
Note: Hardware included only compatible with standard drywalls.

STEP 1



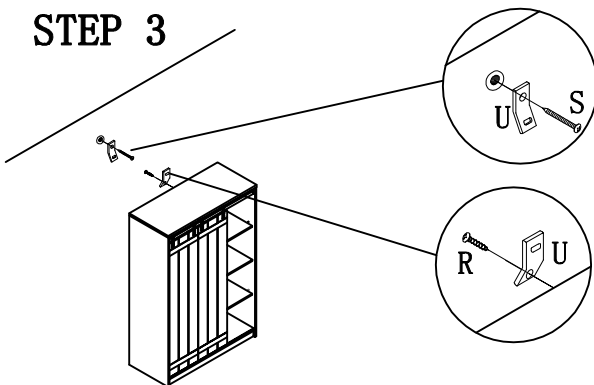
1. Find spot on wall 1" below top of item.
2. Using a drill bit slightly thinner than anchor, drill hole into drywall.

STEP 2



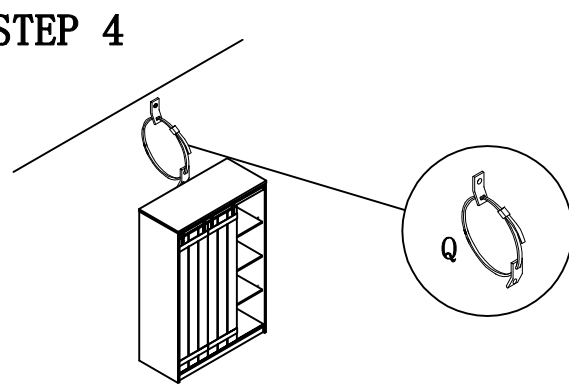
1. Use a light hammer to tap anchor into hole.
2. Anchor should fit snugly. If hole is too small, drill again to increase hole size. Do not force anchor into wall.

STEP 3



1. Insert drywall screw into metal bracket and into drywall anchor.
2. Insert flathead screw into second metal bracket and into back of item, along top edge.

STEP 4



1. Insert strap thru bracket attached to wall, then thru bracket on item, and into head of strap.
 2. pull lightly til strap stops.
- Assembly is complete.