
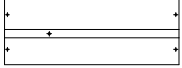
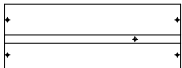

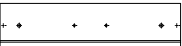
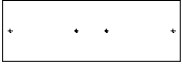





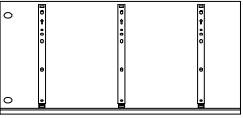

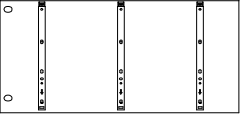

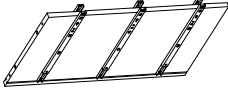

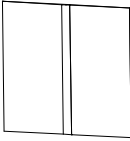

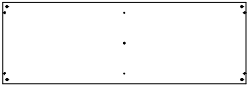




ASSEMBLY INSTRUCTION FOR ACME FURNITURE

MODEL#AC00960/AC00961


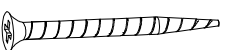
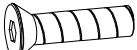
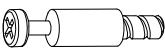



Thank you for purchasing this quality product. Be sure to check all packing material carefully for small parts which may have come loose inside the carton during shipment. Separate, identify and count all parts and metal hardware. Compare with parts list to be sure all parts are present. If any part(s) are missing or damaged, please contact your local furniture dealer. For efficient and speedy service, please indicate the model number and code letter of part(s) needed.

*****Do not fully tighten screws until fully assembled*****

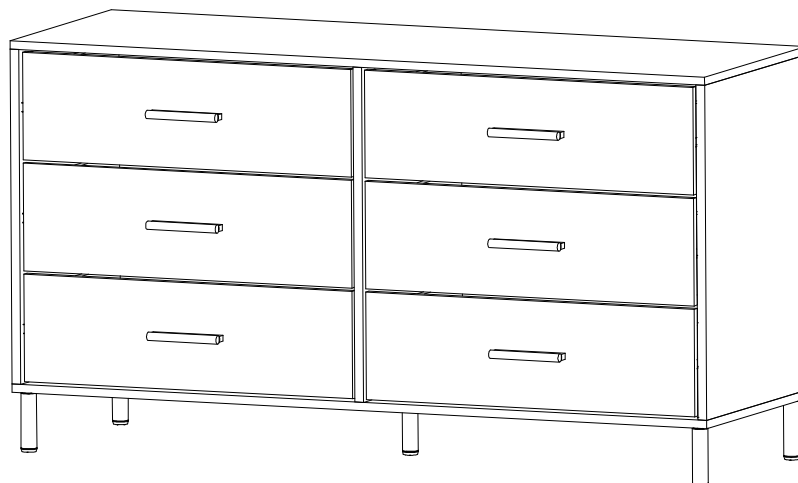
COMPONENT PARTS			
DESCRIPTION	PART NAME		Q'TY (PCS)
(A)	DRAWER BACK BOARD		6
(B)	DRAWER RIGHT BOARD		6
(C)	DRAWER LEFT BOARD		6
(D)	DRAWER BOTTOM BOARD		6
(E)	DRAWER FRONT BOARD		6
(F)	FRONT BOARD		6
(G)	KNOB		6
(H)	TOP BOARD		1

	RIGHT BOARD		1
	LEFT BOARD		1
	MIDDLE BOARD		1
	BACK BOARD		2
	BOTTOM BOARD		1
	LEG		5
	ROUND PEDESTAL		2

HARDWARE REQUIRED

①		SCREW	8 x 1-1/4"	50 PCS
②		SCREW	8 x 1-3/4"	18 PCS
③		BOLT	1/4 x 1"	12 PCS
④		CAM BOLT	6 x 38mm	6 PCS
⑤		WOOD DOWEL	8 x 30mm	12 PCS
⑥		CAM LOCK	15mm	6 PCS
⑦		DOUBLE-HEADED BOLT	1/4" x 1-1/4"	5 PCS

⑧		LEVELER	1/4" x 7/8"	5 PCS
⑨		BOLT	1/4" x 1-1/4"	2 PCS
⑩		WASHER	32mm	7 PCS
⑪		HOLDER	16 x 12mm	6 PCS
⑫		SCREW	2.8 x 18mm	6 PCS
⑬		BOLT	4 x 9mm	12 PCS
⑭		SCREW	8 x 5/8"	2 PCS
⑮		L BRACKET	25mm	4 PCS
⑯		WALL ANCHOR	26mm	2 PCS
⑰		PLASTIC STRAP	250mm	2 PCS
⑱		ALLEN WRENCH	1/4"	1 PCS

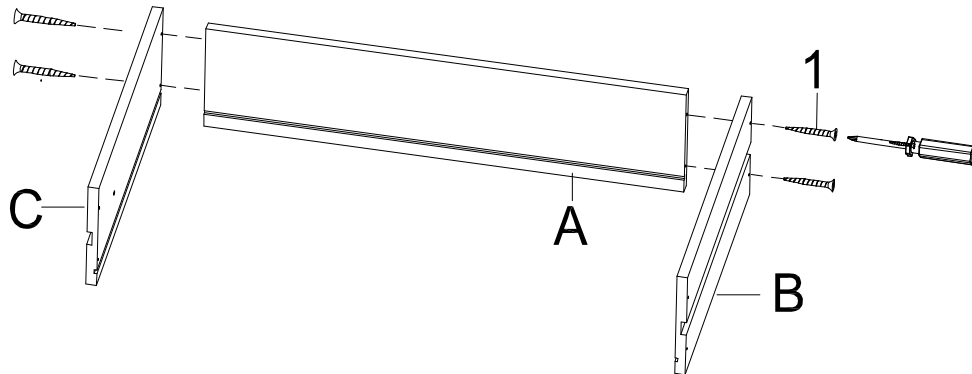


Attention

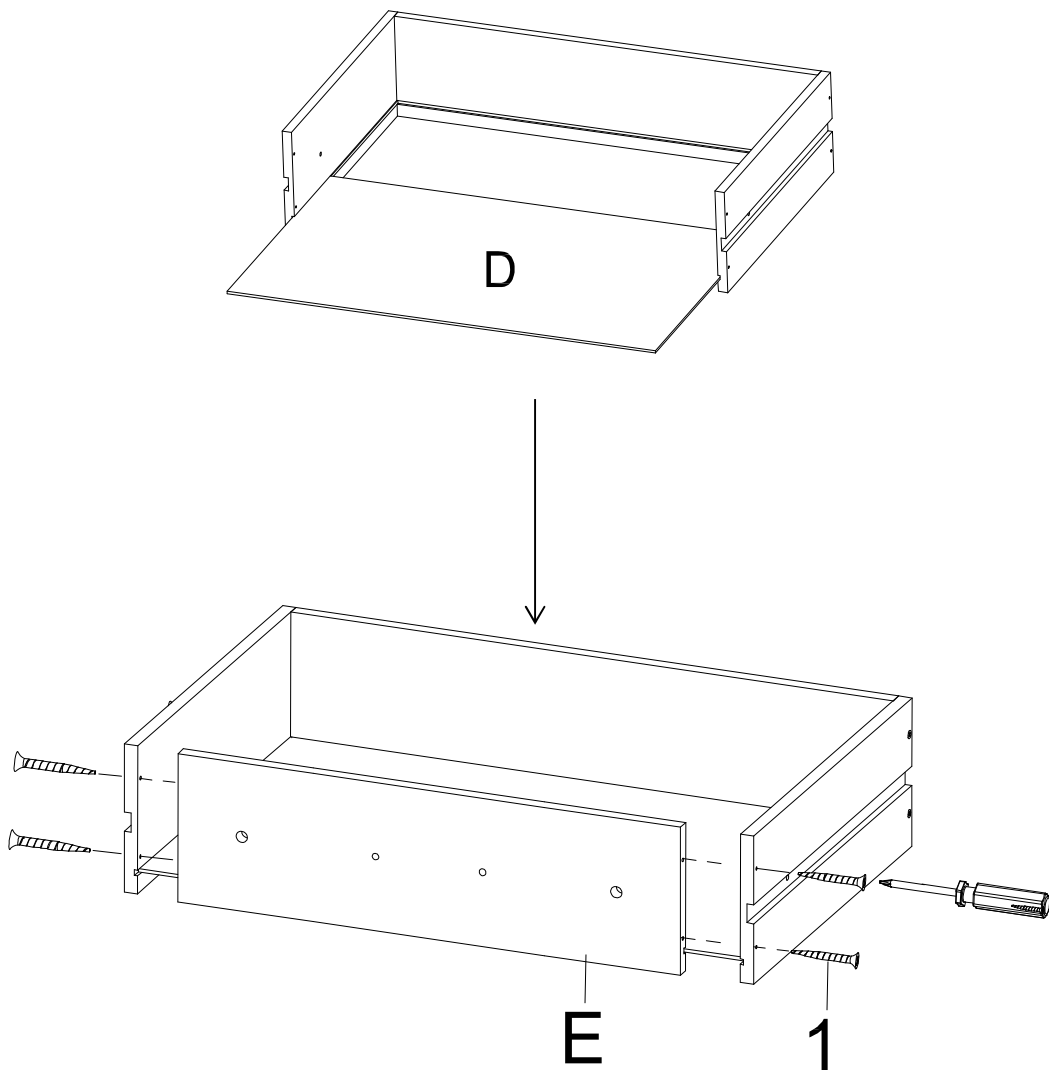
***Some number parts listed on the instruction sheet may not be in parts bag as they may be assembled.
Carefully check parts and packing materials prior to ordering replacements.

How to assemble:

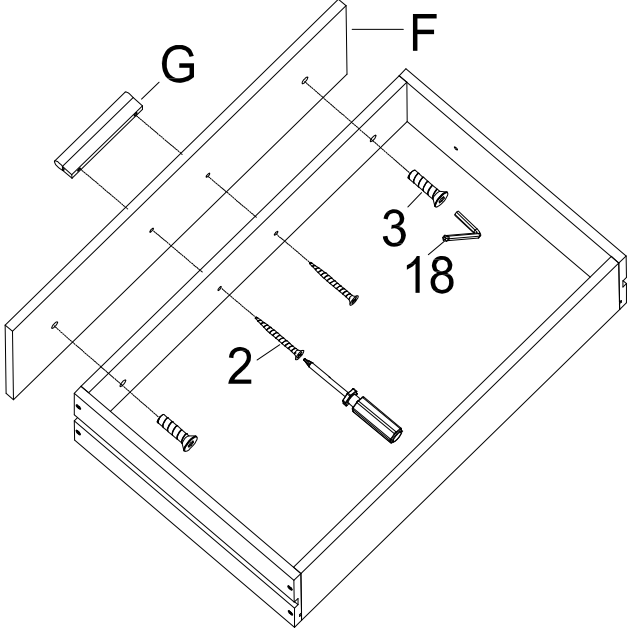
STEP 1



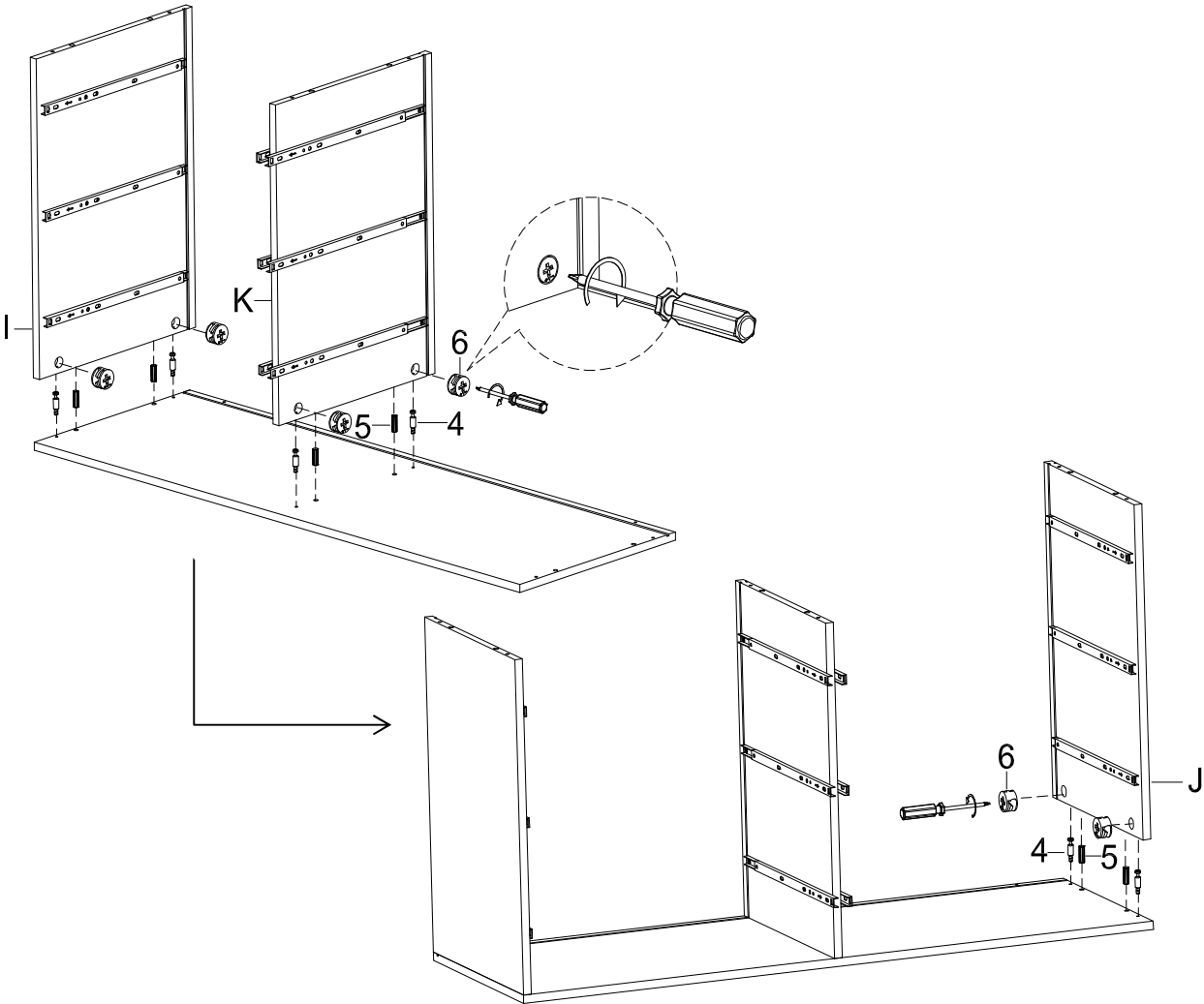
STEP 2



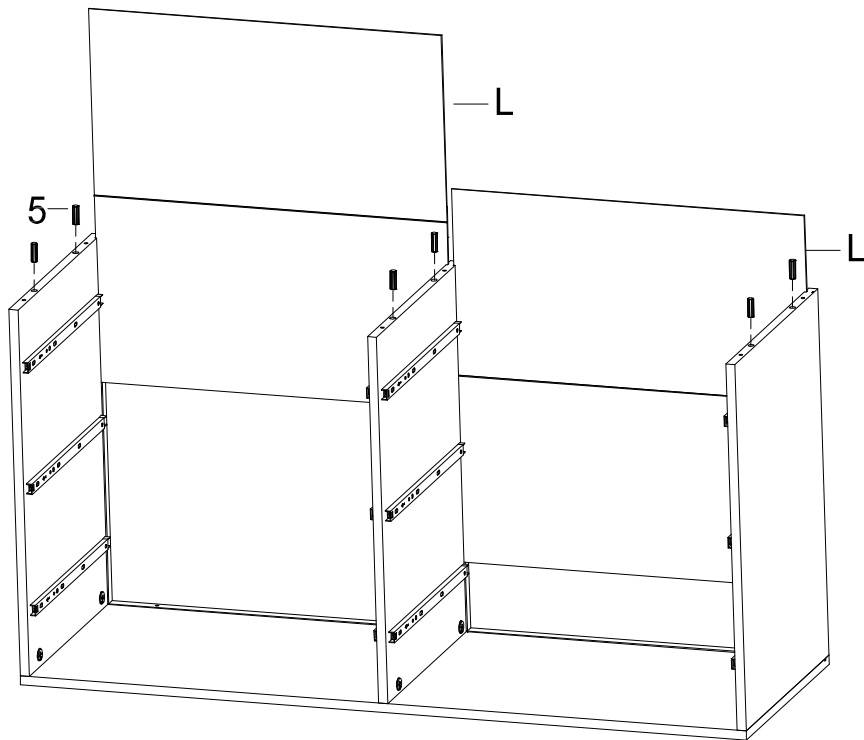
STEP 3



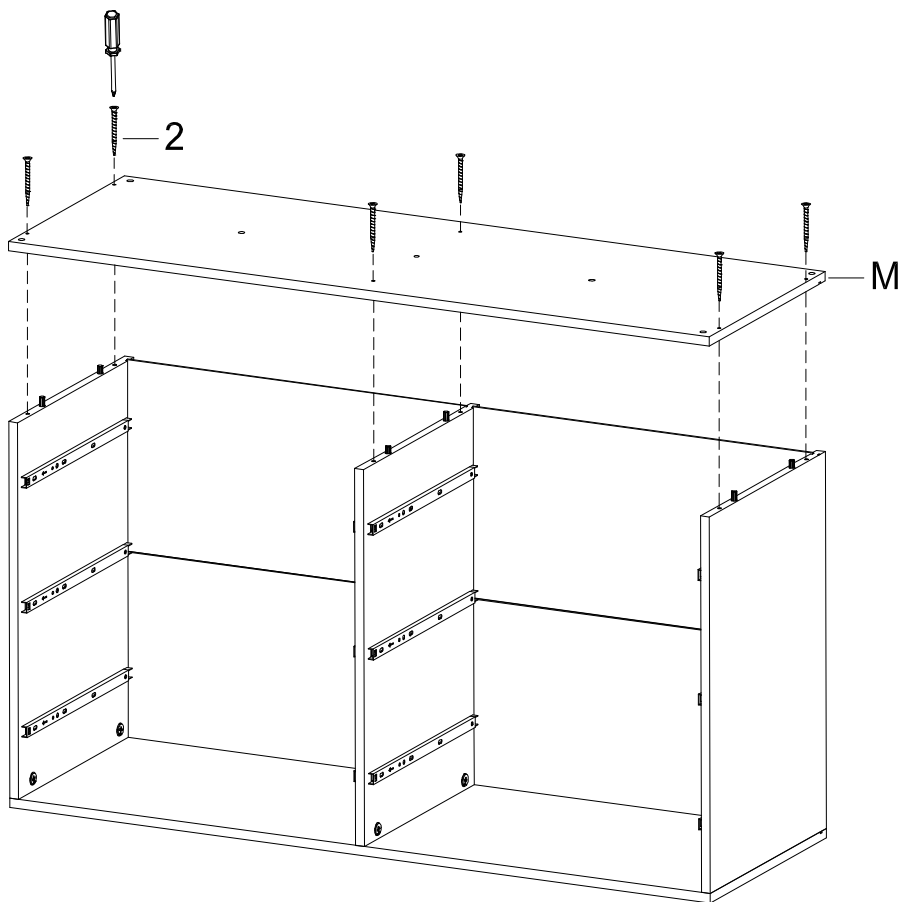
STEP 4



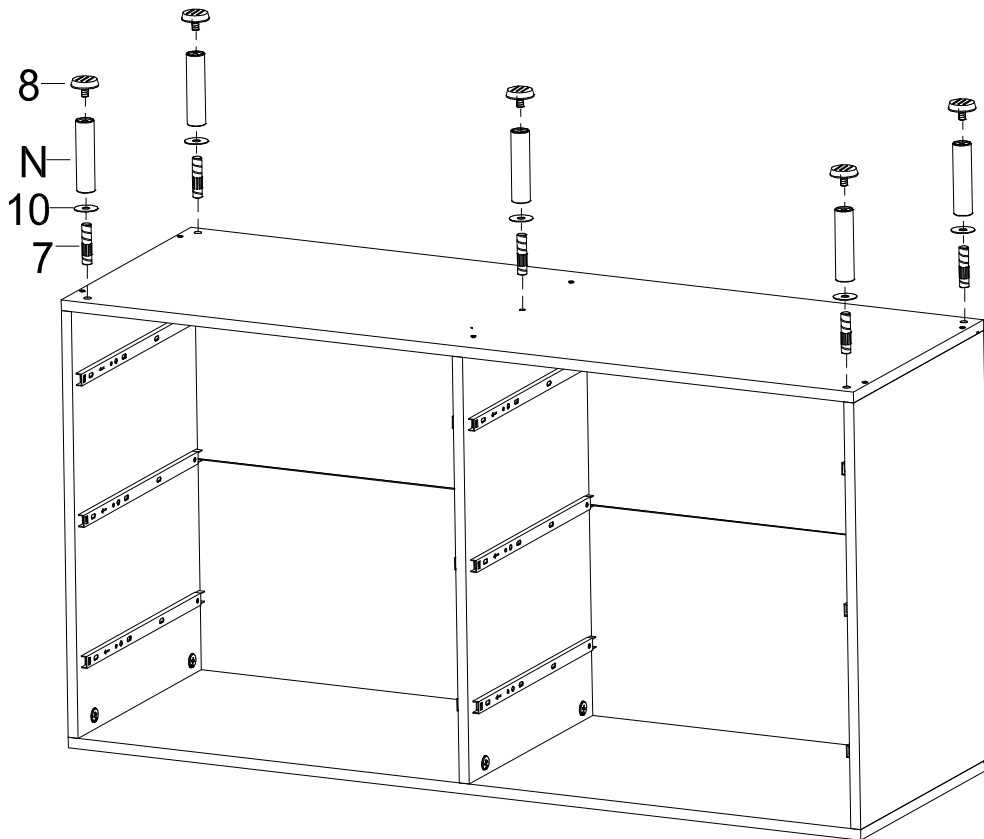
STEP 5



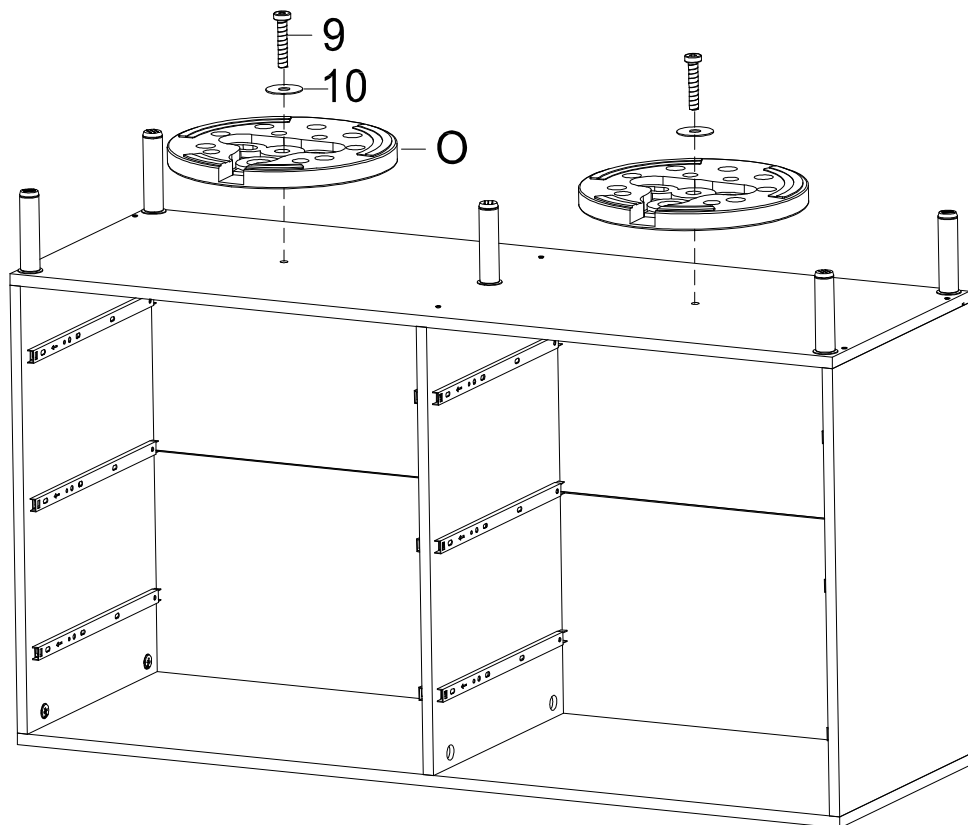
STEP 6



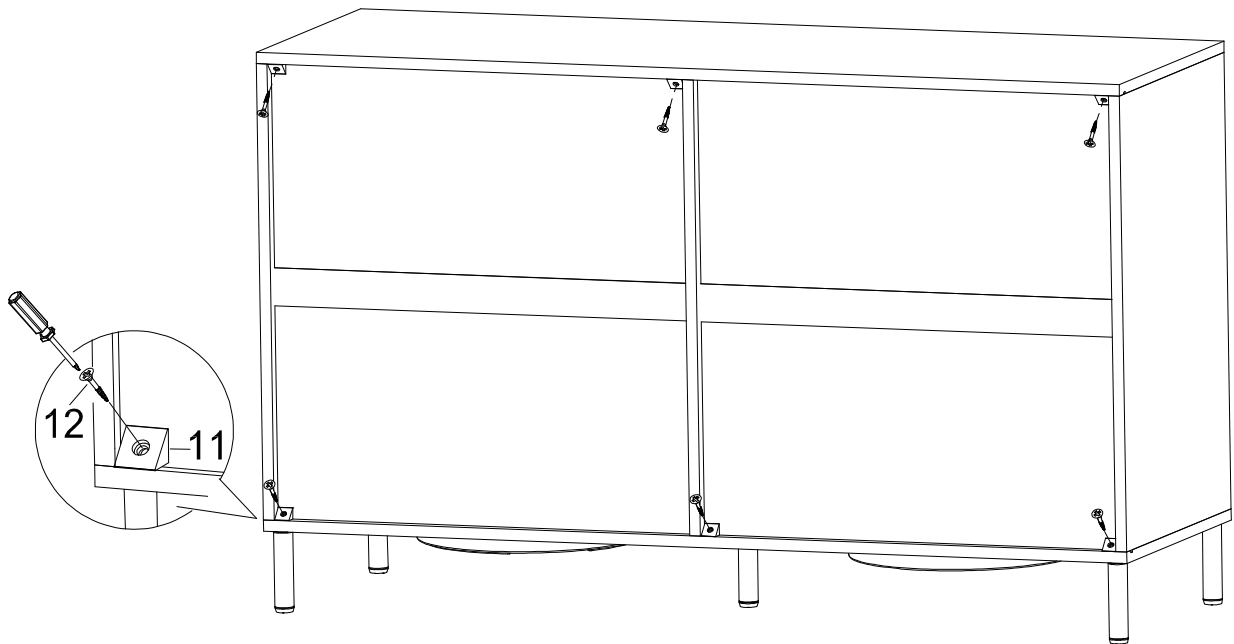
STEP 7



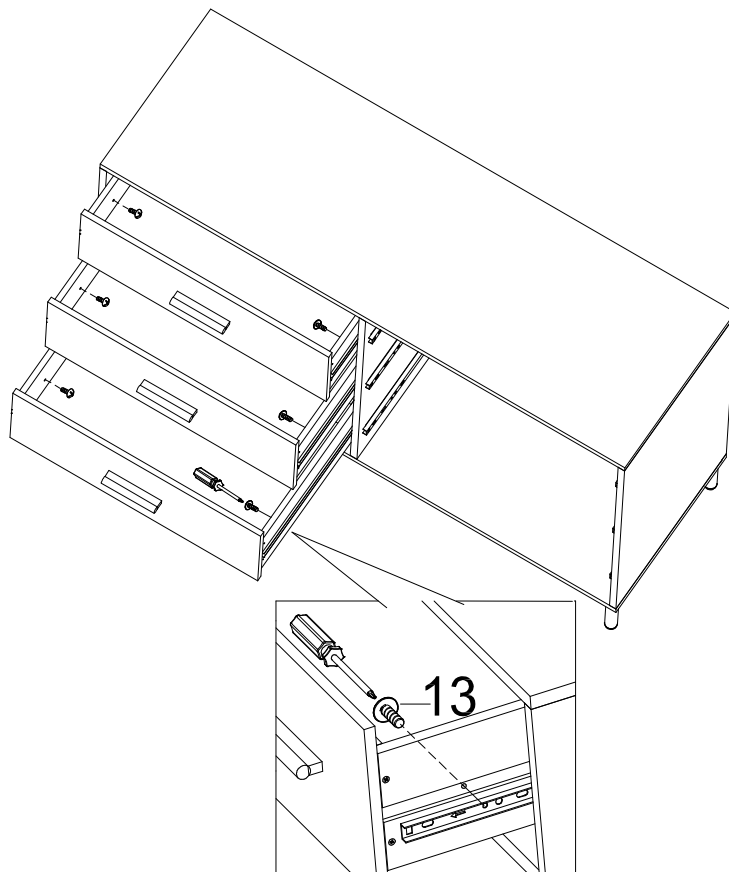
STEP 8



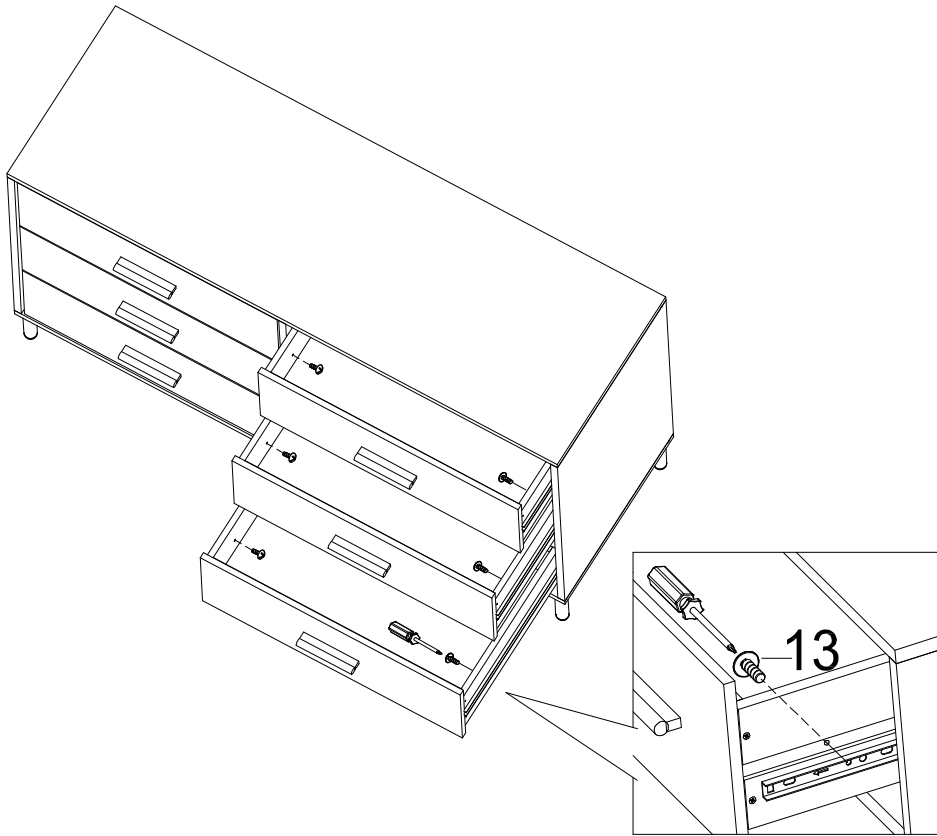
STEP 9



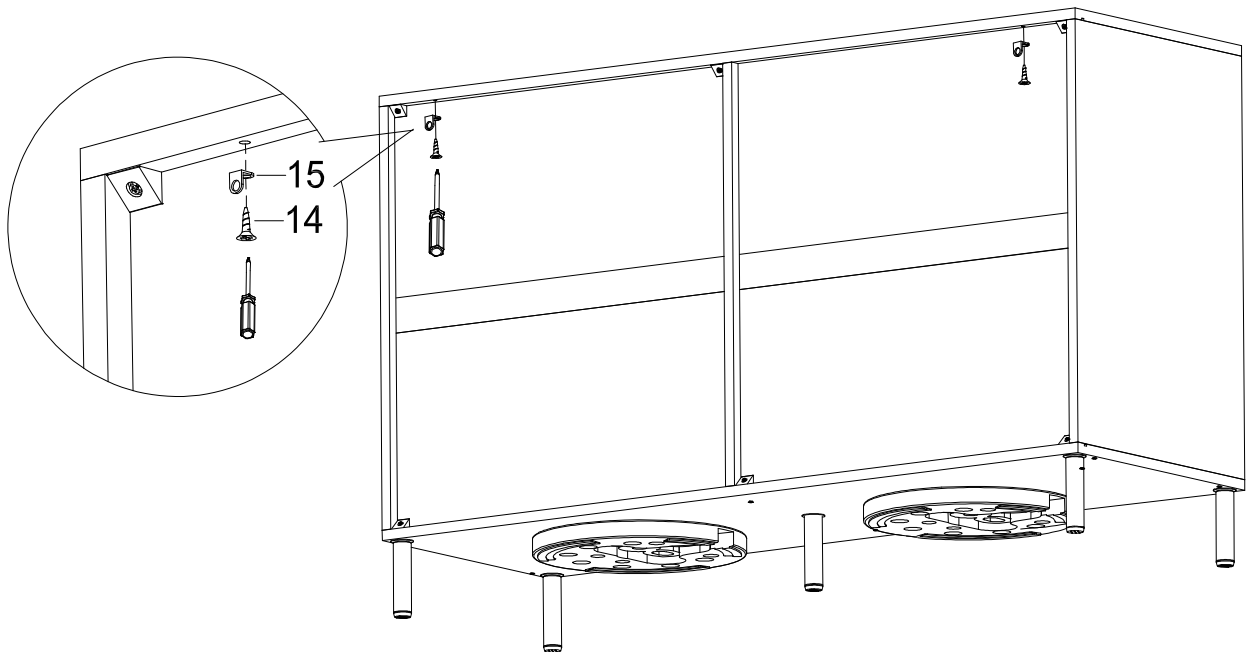
STEP 10



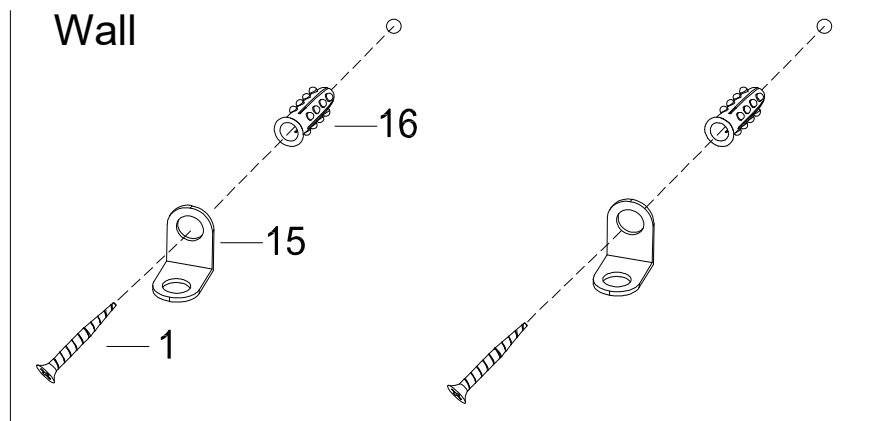
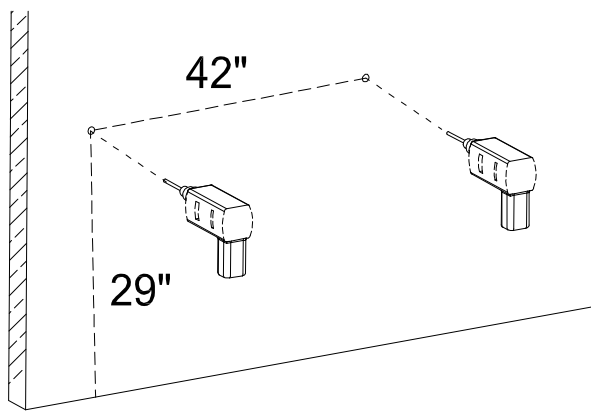
STEP 11



STEP 12



STEP 13



STEP 14

