

MODEL NAME:

98090

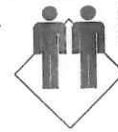
1.0hr

APPROXIMATE ASSEMBLY TIME

2 PEOPLE FOR ASSEMBLY

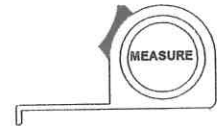
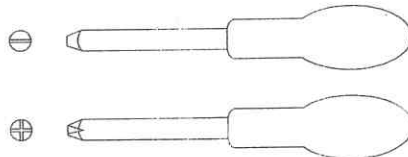
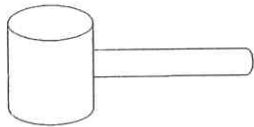


FLOOR AREA
2.0M X 2.0M



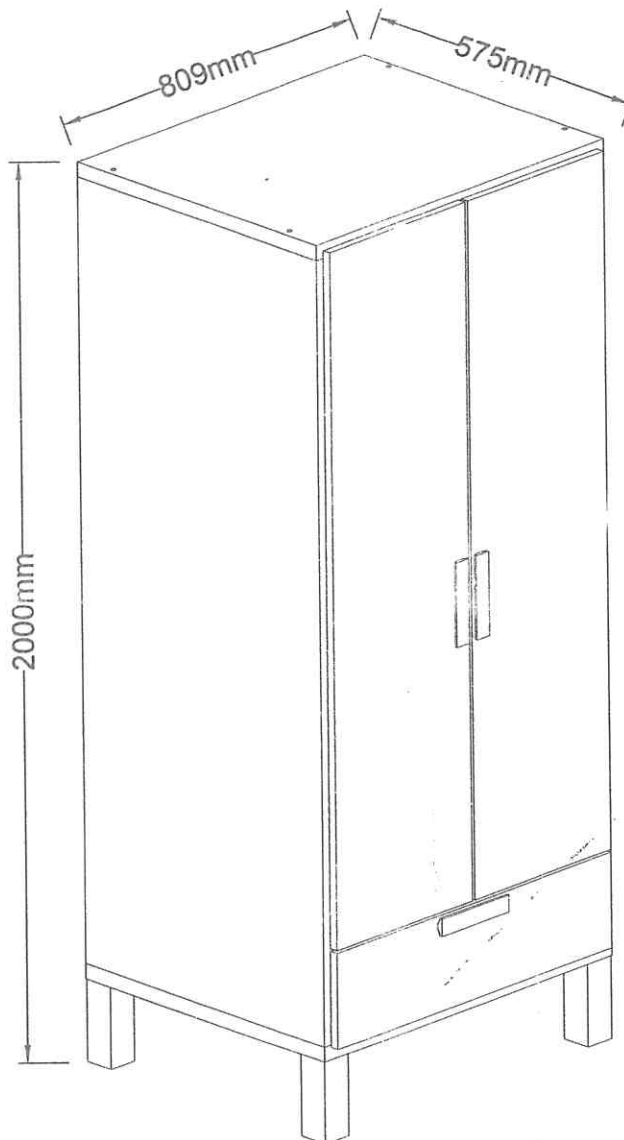
CEILING HEIGHT
2.2M

REQUIRED ASSEMBLY SPACE



REQUIRED ASSEMBLY TOOLS

ASSEMBLED DIMENSIONS





MODEL NAME:

98090

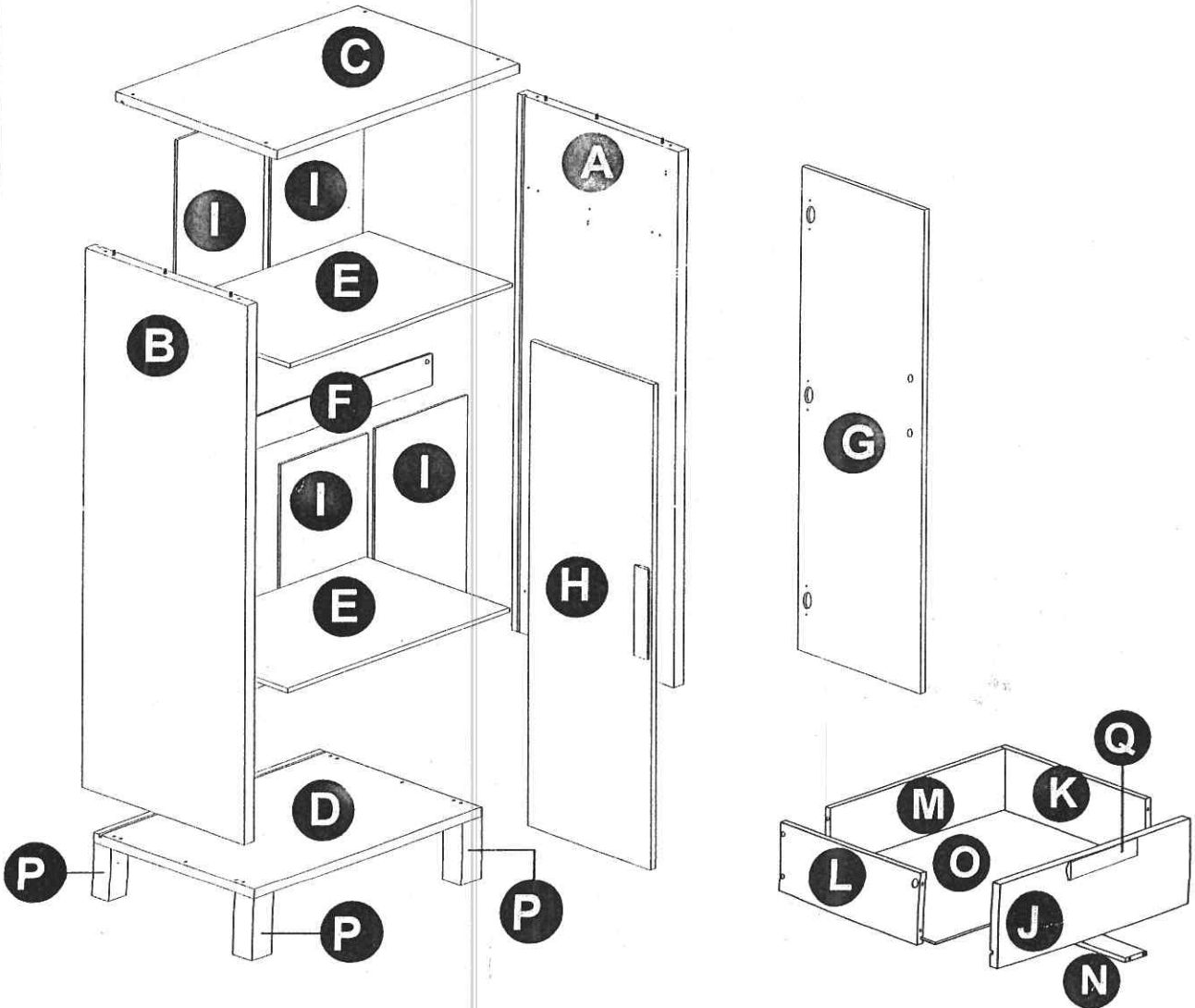
NO. PART LIST

- (A) RIGHT SIDE PANEL
- (B) LEFT SIDE PANEL
- (C) TOP PANEL
- (D) BOTTOM PANEL
- (E) FIXED SHELF
- (F) BACK SUPPORT
- (G) DOOR PANEL RIGHT
- (H) DOOR PANEL LEFT

QTY NO. PART LIST

- | | | |
|---|-------------------------|---|
| 1 | (I) BACK PANEL | 4 |
| 1 | (J) DRAWER FRONT | 1 |
| 1 | (K) DRAWER SIDE (RIGHT) | 1 |
| 1 | (L) DRAWER SIDE (LEFT) | 1 |
| 2 | (M) DRAWER BACK PANEL | 1 |
| 1 | (N) DRAWER BASE SUPPORT | 1 |
| 1 | (O) DRAWER BASE | 1 |
| 1 | (P) LEG | 4 |
| | (Q) HANDLE | 3 |

PARTS LIST





MODEL NAME:

98090

HARDWARE LIST

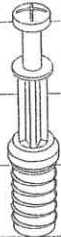
4cm
3cm
2cm
1cm
0cm



36X
M3.5 x 12mm
1
FLAT HEAD
SCREW



10X
Dia.15mm
2
CAM-LOCK



12X
M6.5
3
CAM BOLT



12X
M3.5 x 25mm
4
FLAT HEAD
SCREW

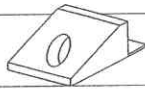


30X
Dia.6 x 30mm
5
WOOD
DOWEL

4cm
3cm
2cm
1cm
0cm



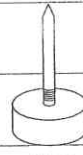
8X
M5 x 40mm
6
FLAT HEAD
SCREW



12X
7
BACK PANEL
FIXING



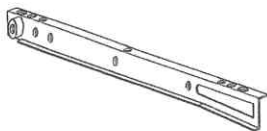
12X
M3 x 20mm
8
FLAT HEAD
SCREW



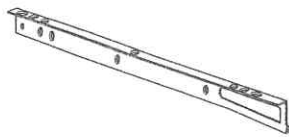
4X
9
FOOT



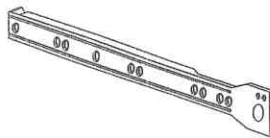
2X
Dia.15mm
10
DRAWER
CAM-LOCK



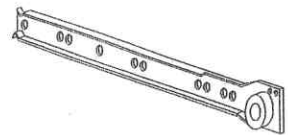
1X
11
DRAWER RUNNER
(RIGHT)



1X
12
DRAWER RUNNER
(LEFT)



1X
13
DRAWER RUNNER
(LEFT)



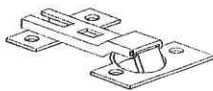
1X
14
DRAWER RUNNER
(RIGHT)



MODEL NAME:

98090

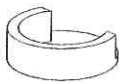
HARDWARE LIST



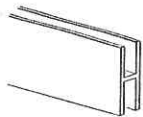
6X
15
ADJUSTABLE
HINGE



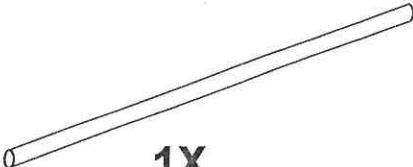
8X
16
M7 x 70mm
ALLEN HEAD
SCREW



2X
17
HANGING RAIL
SUPPORT



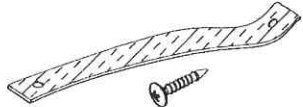
2X
18
PVC H



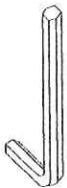
1X
19
HANGING RAIL



2X
20
GLUE 10CC



2X
21
ANTI TIP
STRAP



1X
M4
22
ALLEN KEY



MODEL NAME:

98090

Top Tips before you start!

1. Please check that all parts are present before you start the assembly of your furniture.
2. For ease and speed of assembly, we recommend that before you commence each step of the assembly, that you identify all the parts required for that step.
3. For larger items, please ensure that you have sufficient space and people (as indicated on page 1) to assemble your product safely
4. We recommend that, where possible, all items are assembled near to the area in which they will be placed in use, to avoid moving the product unnecessarily once assembled.
5. For the protection of your furniture, particularly items of high gloss finish, we recommend that the product is placed on a protected surface during assembly to prevent any damage.
6. During assembly please take care not to over-tighten any fittings, as this may damage the product.
7. Always place the product on a flat, steady and stable surface.
8. Do not sit or stand on the product.
Do not use the product as a stepladder.
9. This product is intended for indoor, household use only as it is non industrial product.
10. This product is constructed from re-inforced hollow board. Excessive pressure cause irreparable damage. Please do not kneel on any part of this product during assembly.

Care and Maintenance of your Furniture

- Please periodically check all fittings and re-tighten as necessary.
- To clean your item, please use a damp cloth and wipe clean.
- Never allow any kind of liquid to remain on your furniture.
- Please do not place hot items (e.g. hot drinks) directly on to the wood surface.
- Please do not drag and pull your furniture.

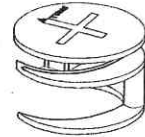
ACME

MODEL NAME:

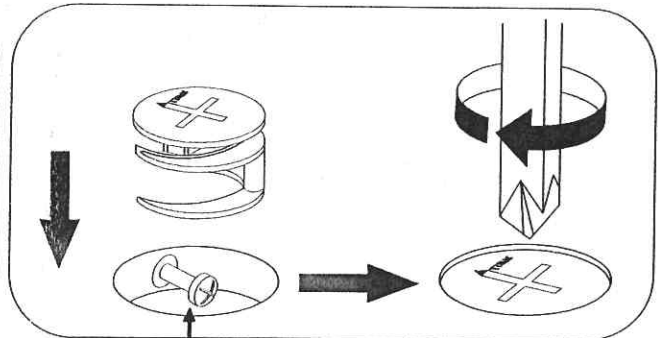
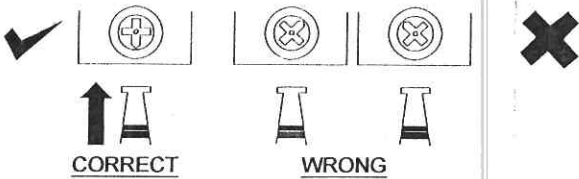
98090

SPECIAL TIPS FOR FITTING CAM-LOCKS AND CAM BOLT

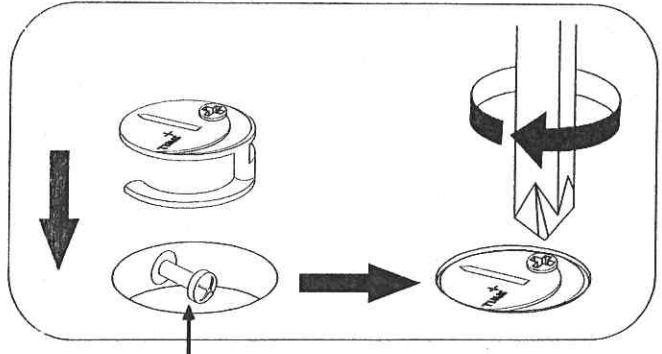
CAM-LOCK



WHEN FITTING CAM-LOCK
ENSURE STARTING POSITION IS CORRECT
BEFORE YOU INSERT CONNECTING CAM BOLT
TURN CLOCKWISE UNTIL SECURE

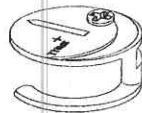


Cam bolt head needs to be in centre



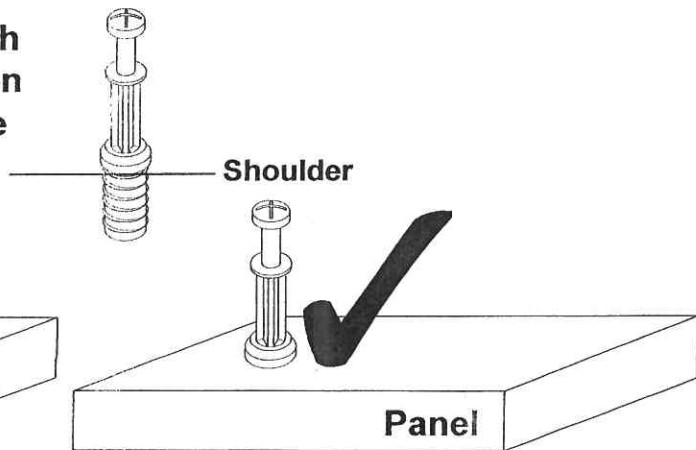
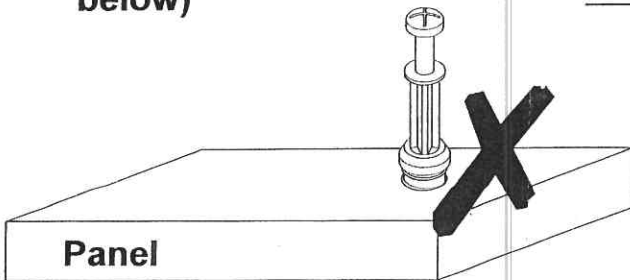
Cam bolt head needs to be in centre

DRAWER
CAM-LOCK



CAM BOLT

Tighten until shoulder is flush with panel. Do not overtighten or undertighten (see example below)

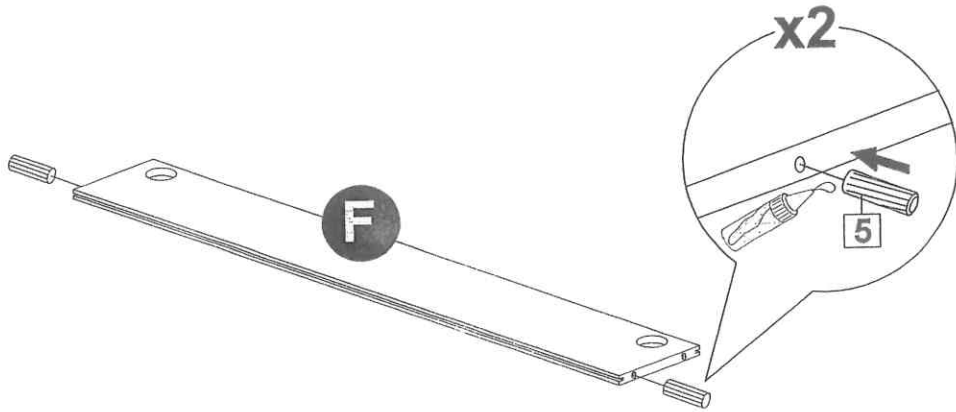


ACME

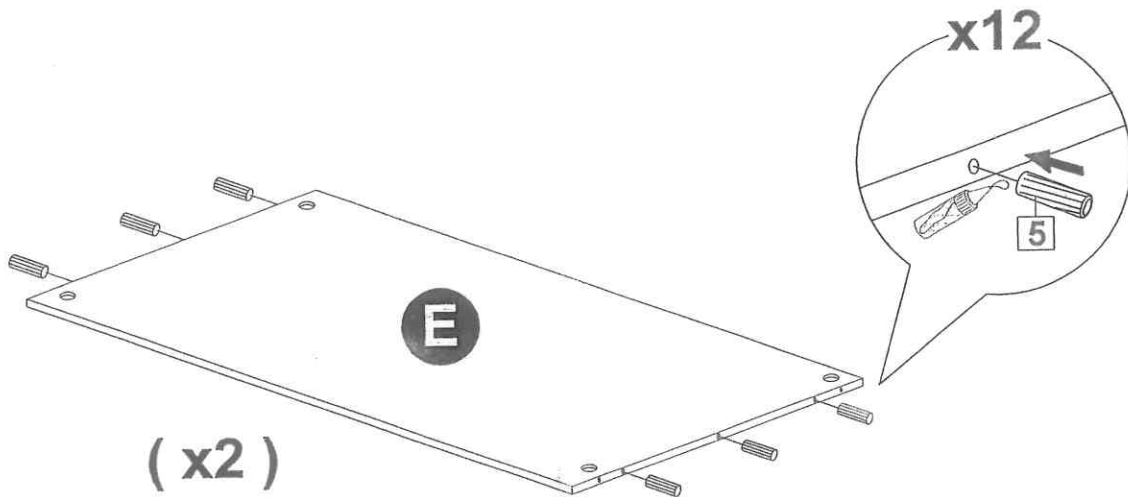
MODEL NAME:

98090

STEP 1



STEP 2

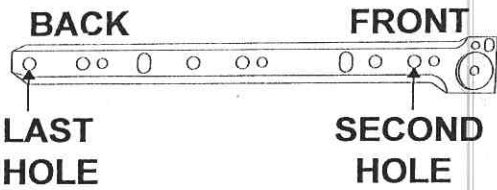
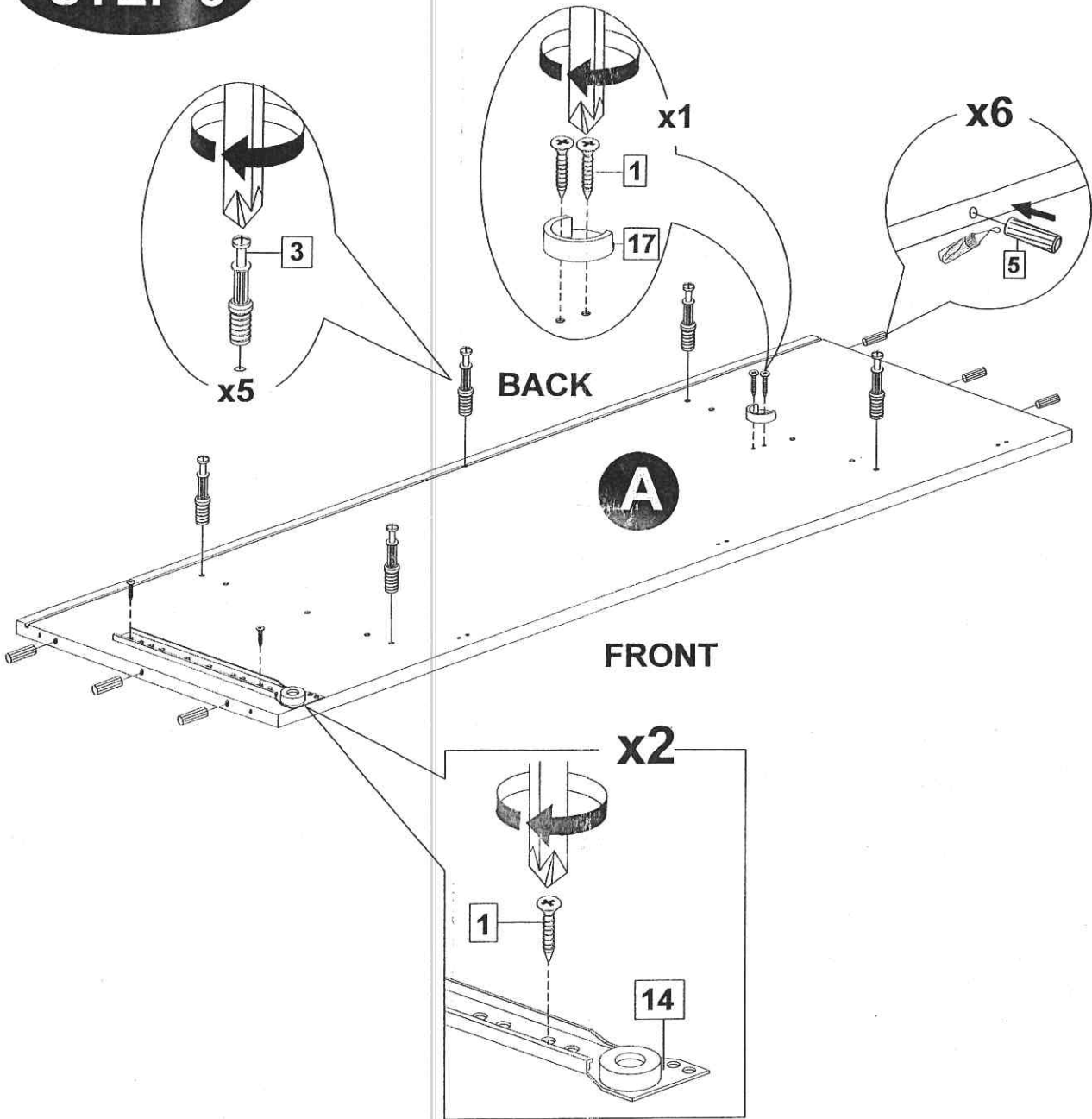




MODEL NAME:

98090

STEP 3

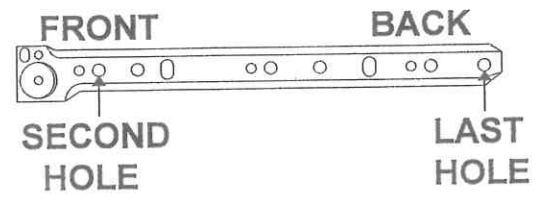
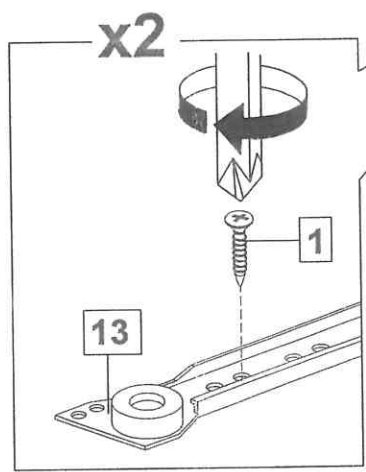
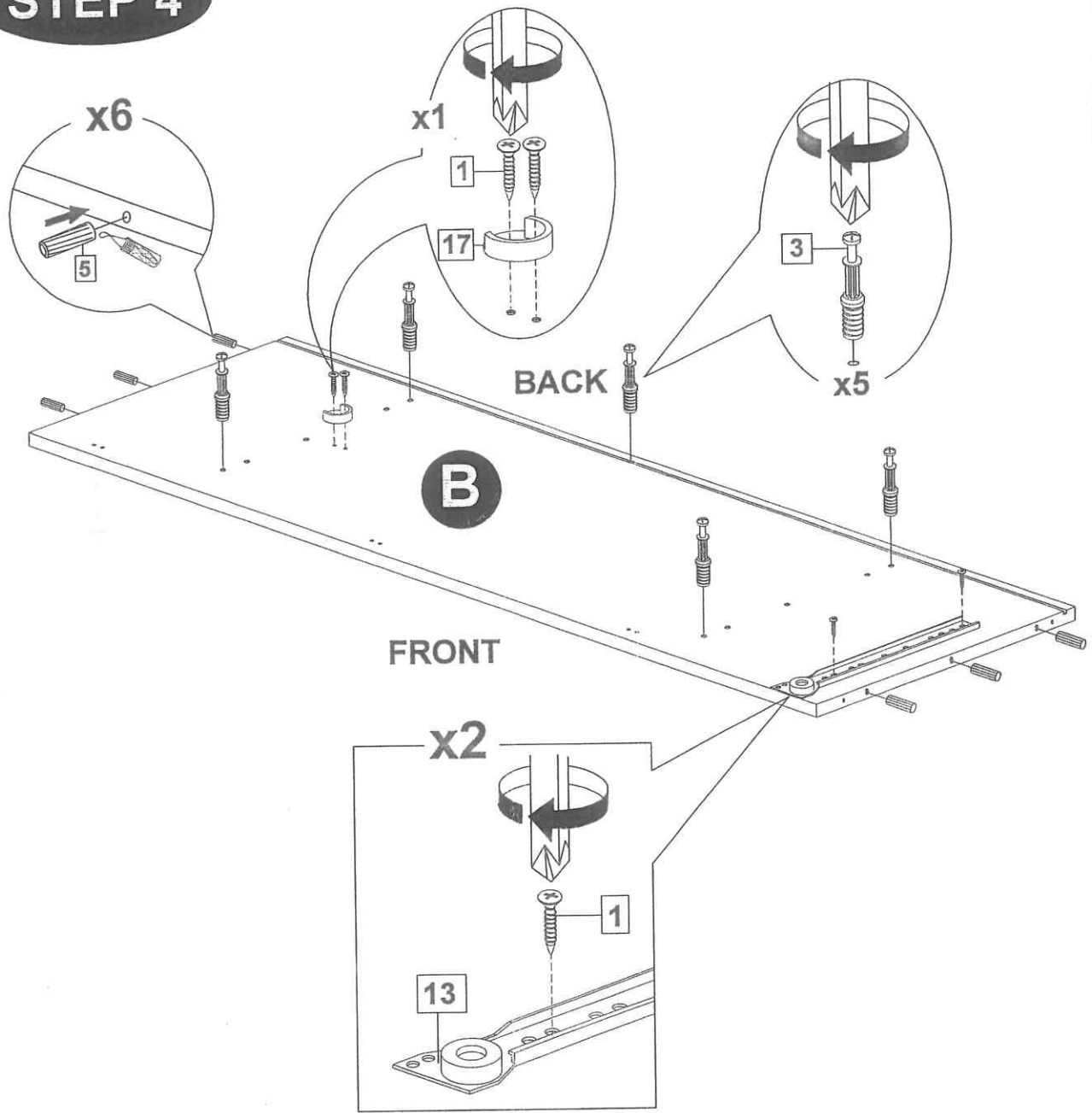


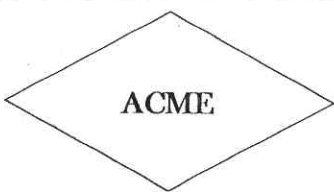


MODEL NAME:

98090

STEP 4

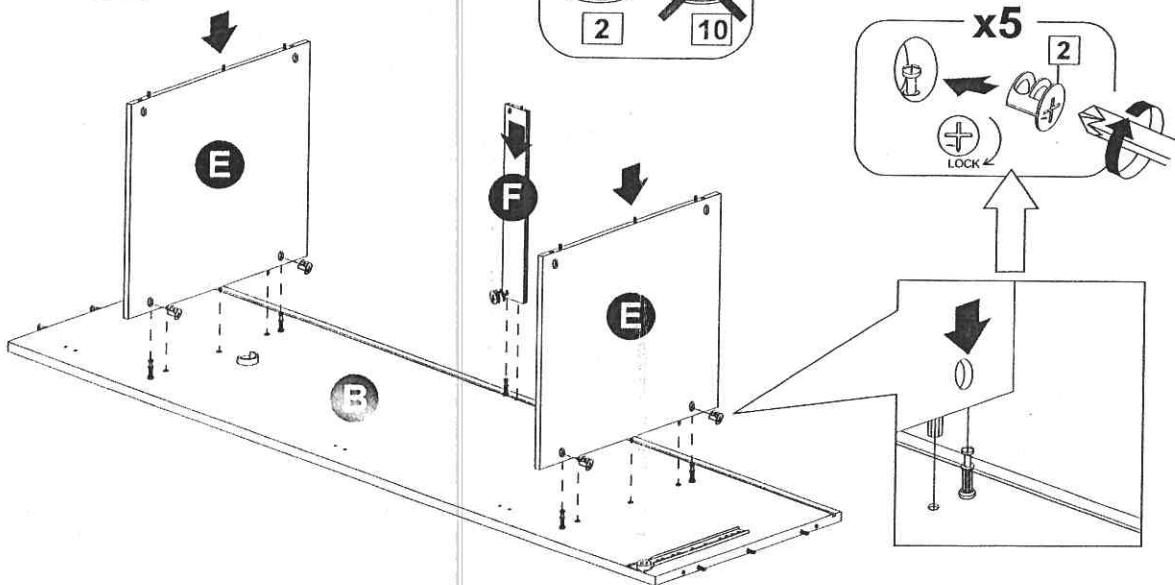




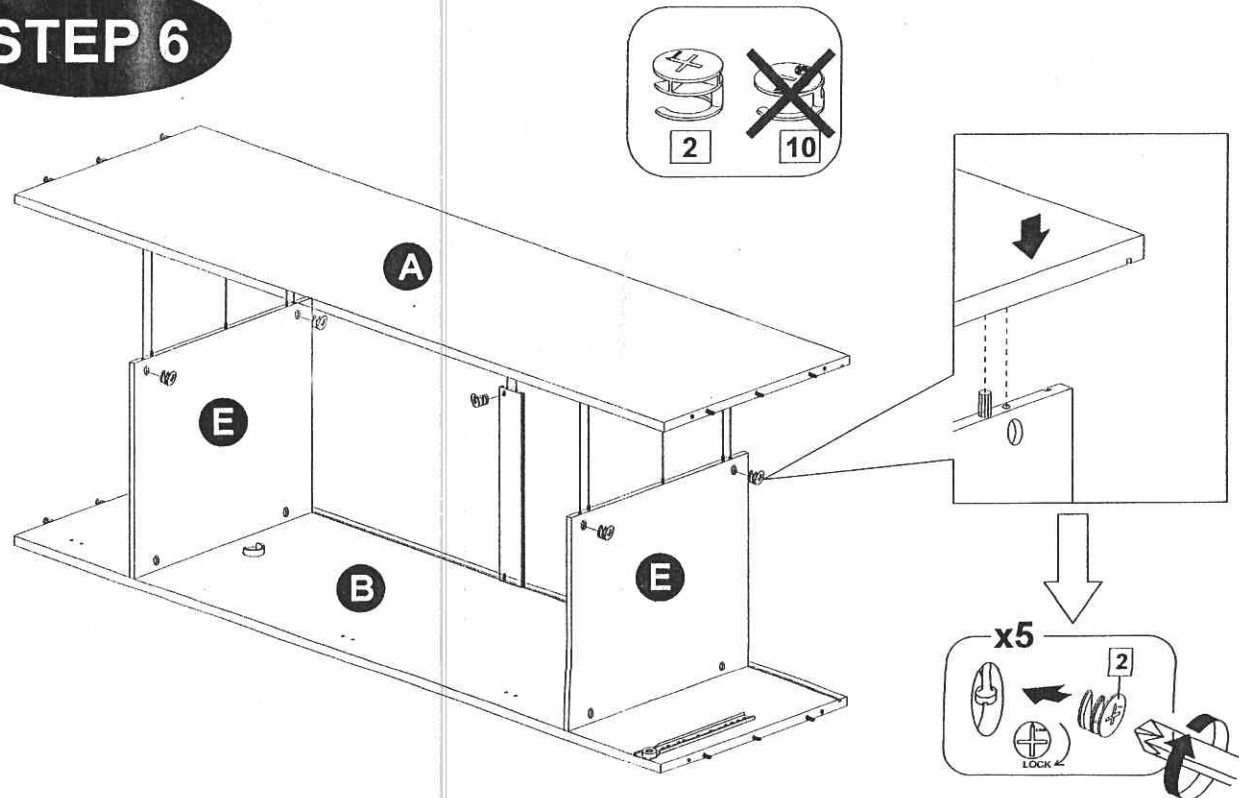
MODEL NAME:

98090

STEP 5



STEP 6

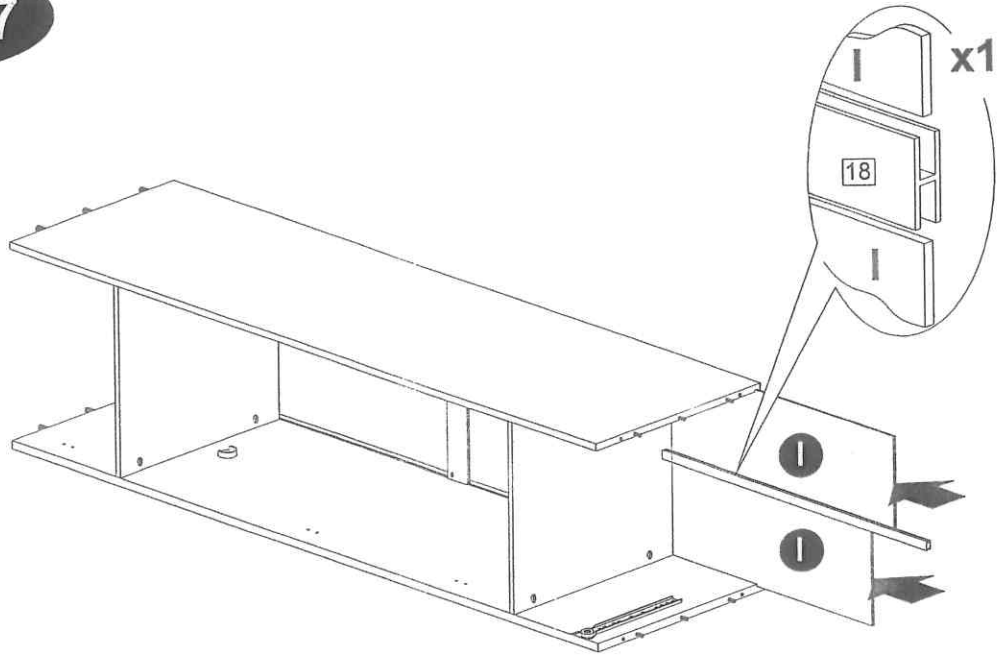




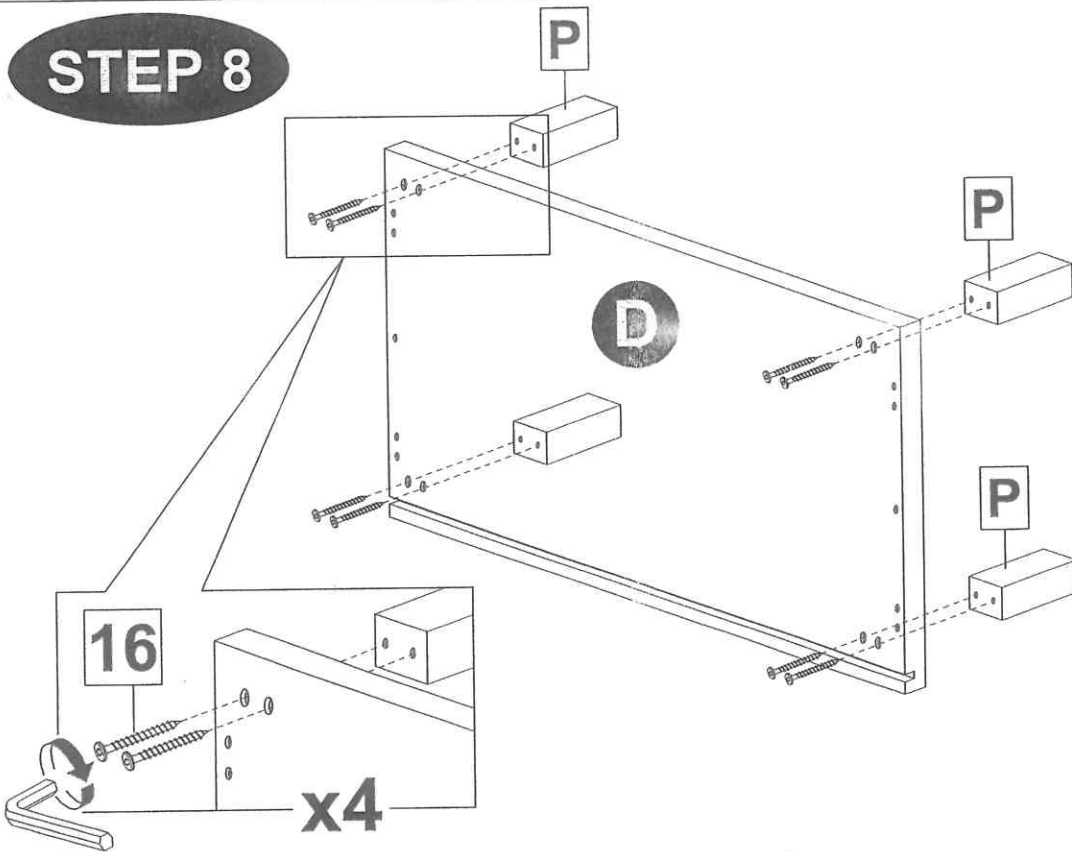
MODEL NAME:

98090

STEP 7



STEP 8

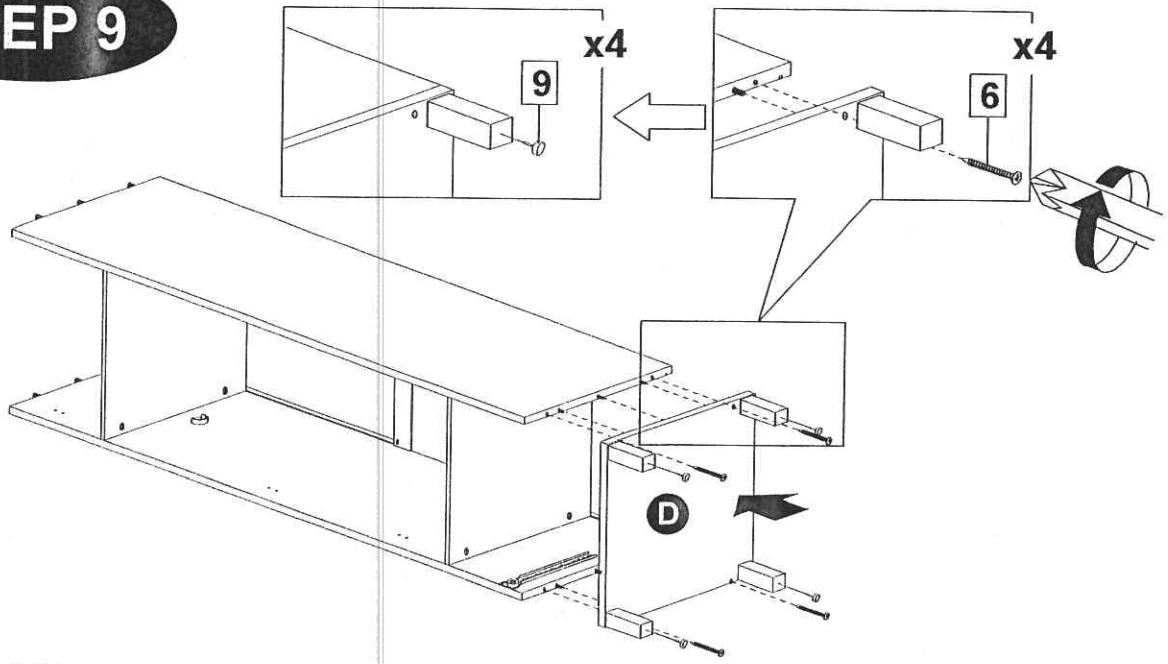




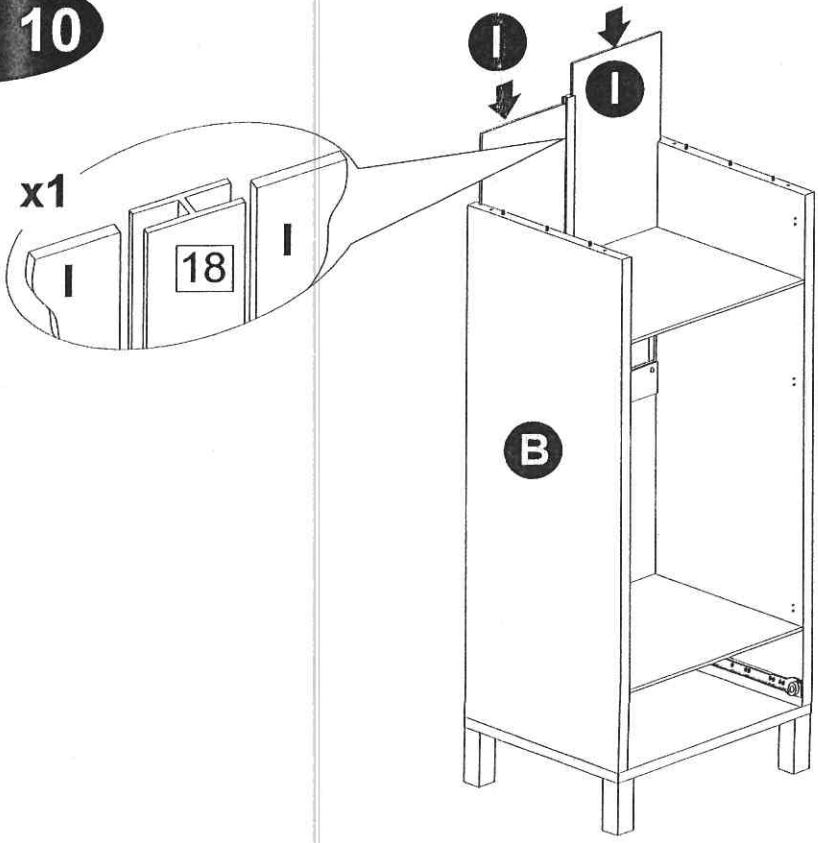
MODEL NAME:

98090

STEP 9



STEP 10

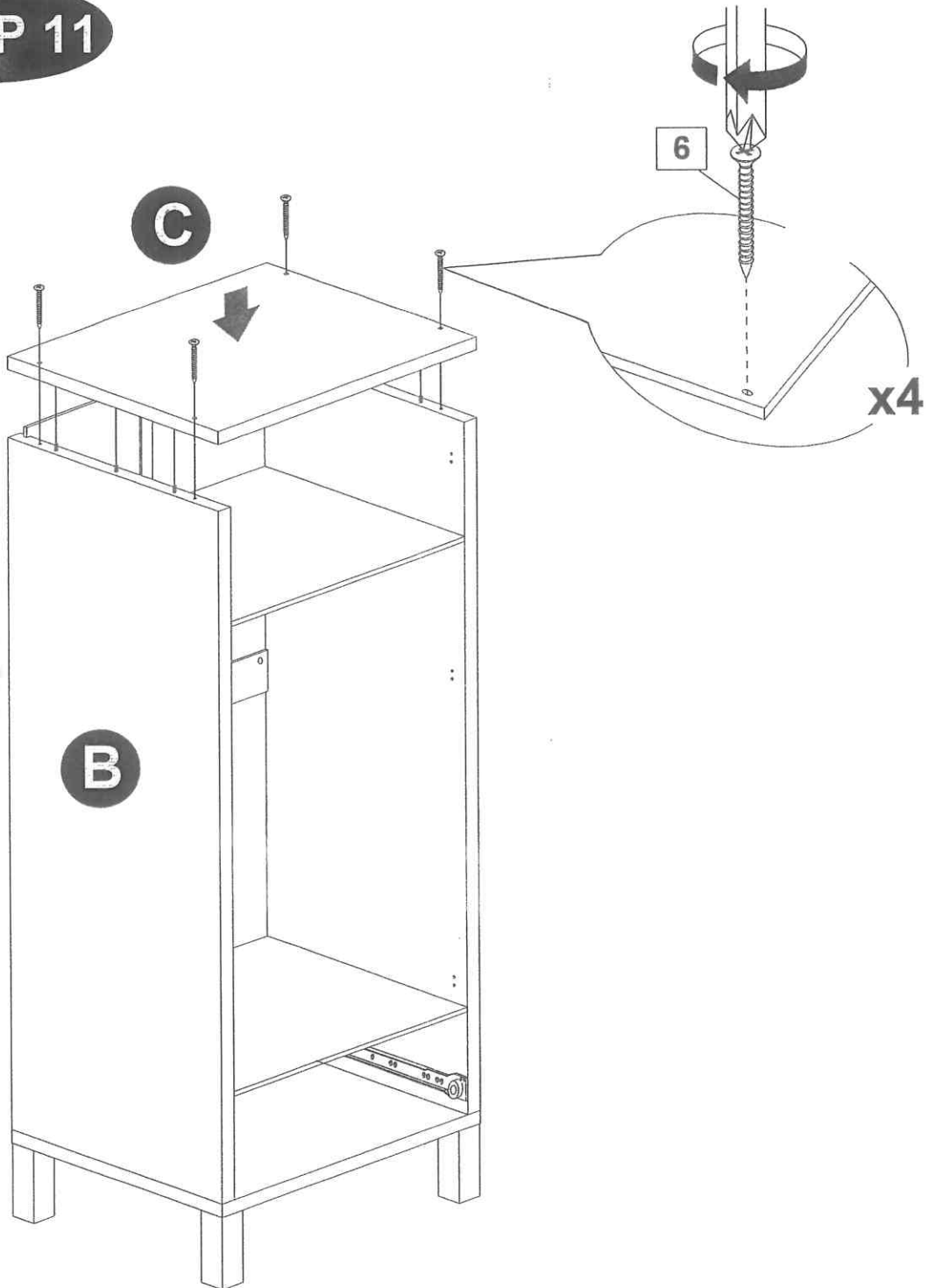




MODEL NAME:

98090

STEP 11

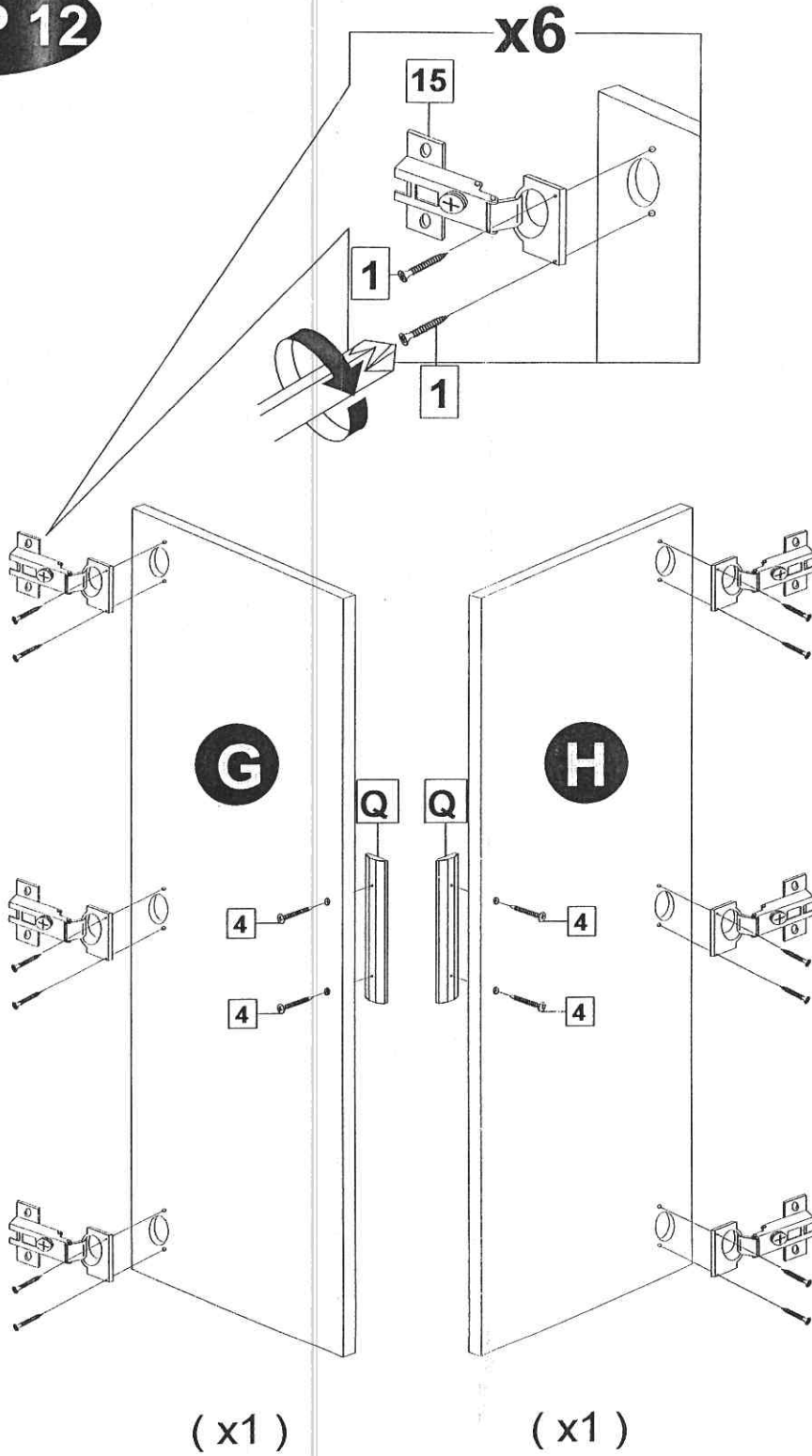




MODEL NAME:

98090

STEP 12



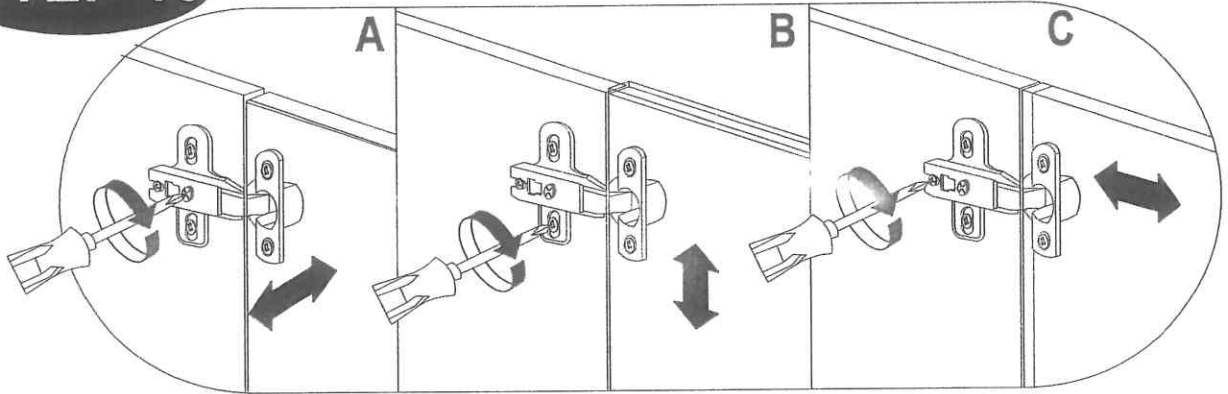
ACME

MODEL NAME:

98090

STEP 13

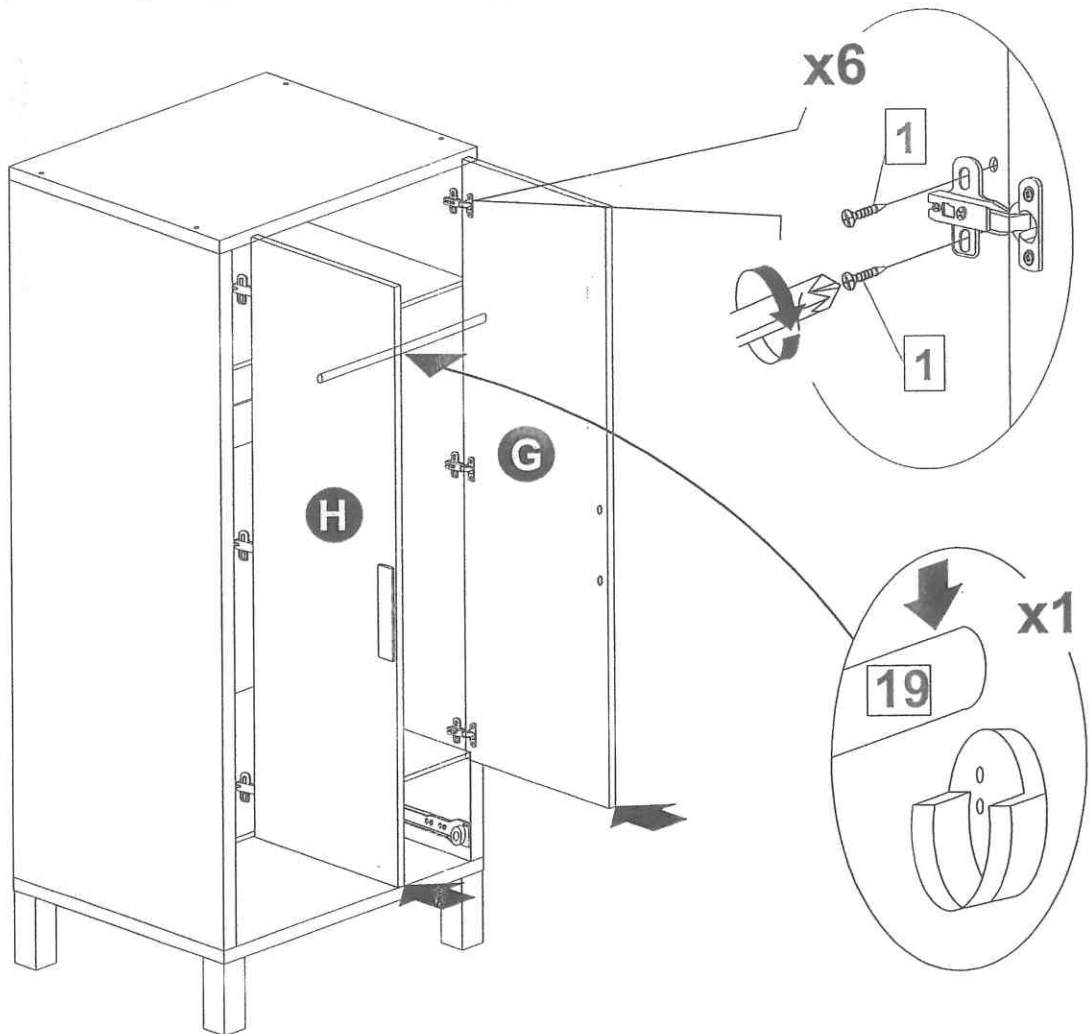
Hinge Adjustment

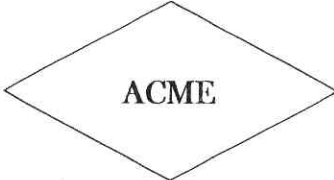


A. Lateral adjustment by screw adjusting

B. Vertical adjustment via slot in the mounting plate

C. Front-to-Back by slacking the hinge arm mounting screw

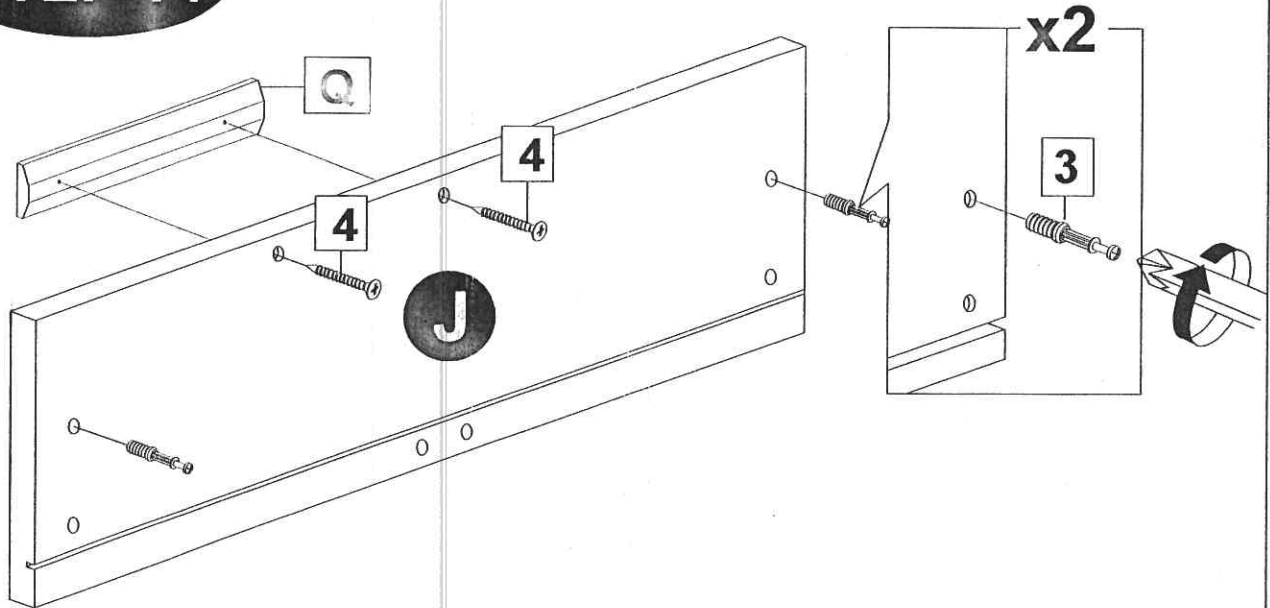




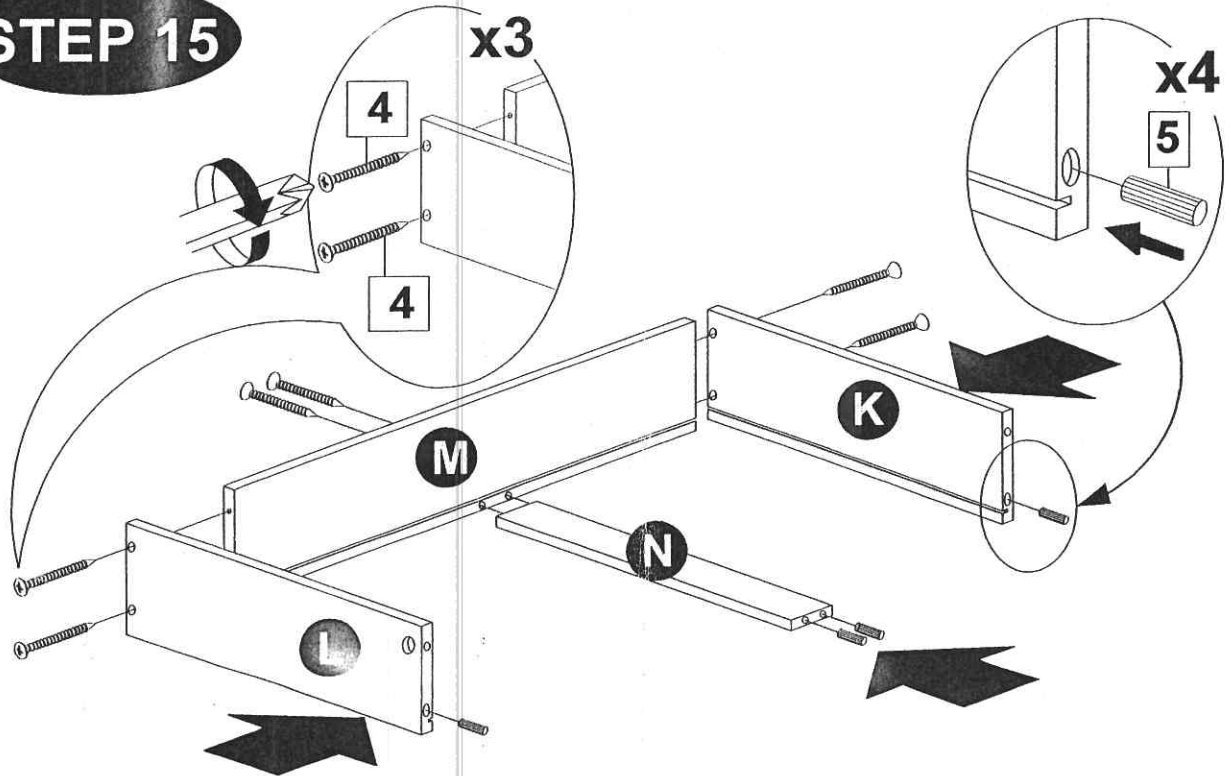
MODEL NAME:

98090

STEP 14



STEP 15

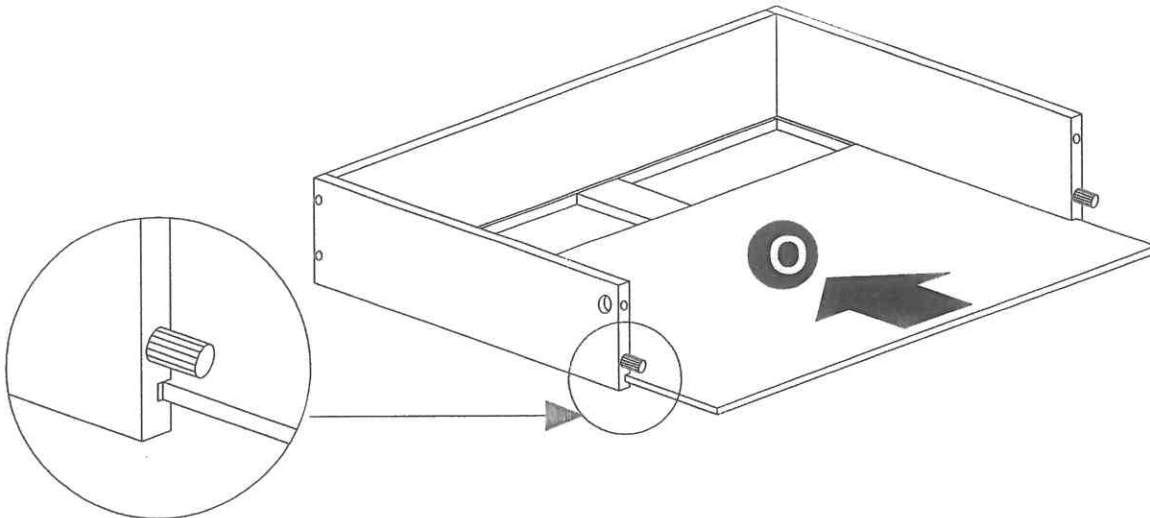




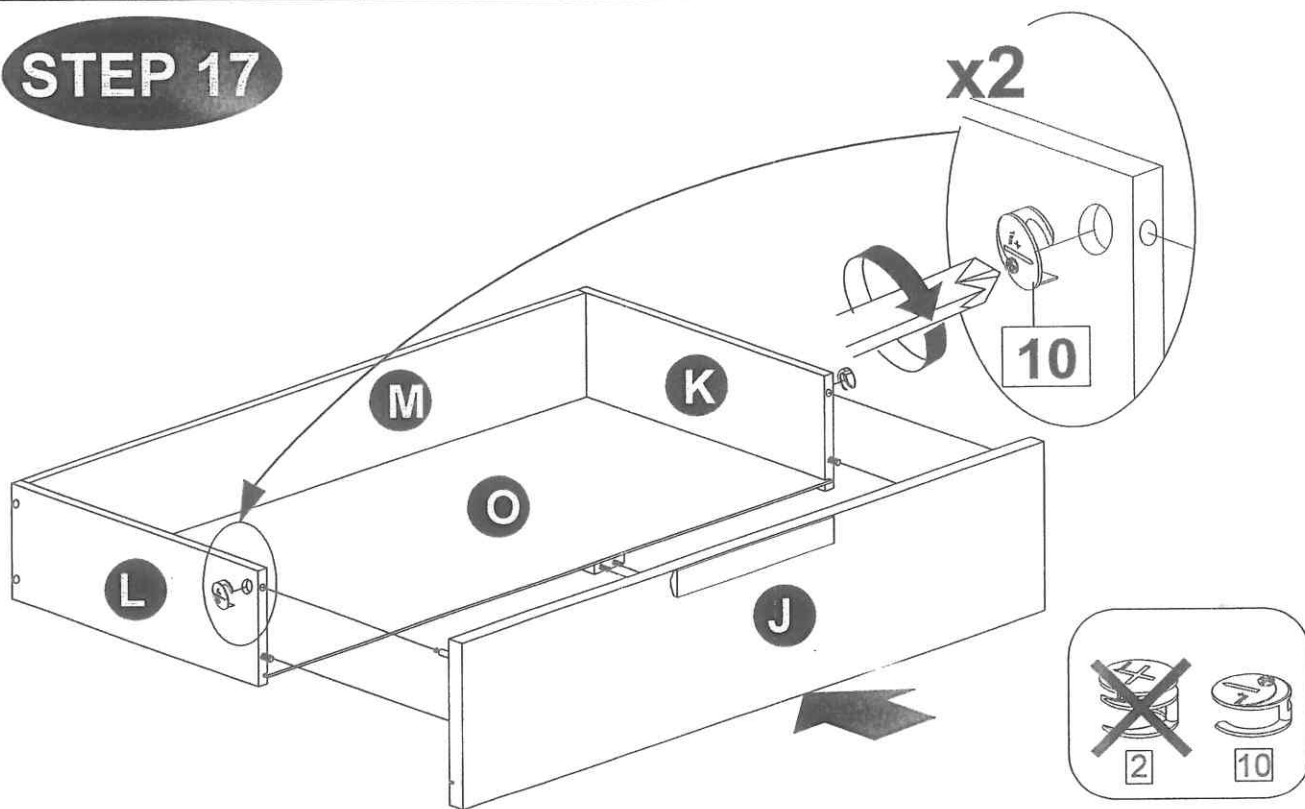
MODEL NAME:

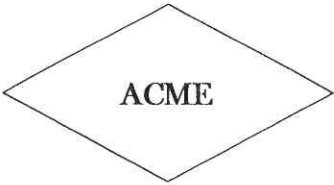
98090

STEP 16



STEP 17

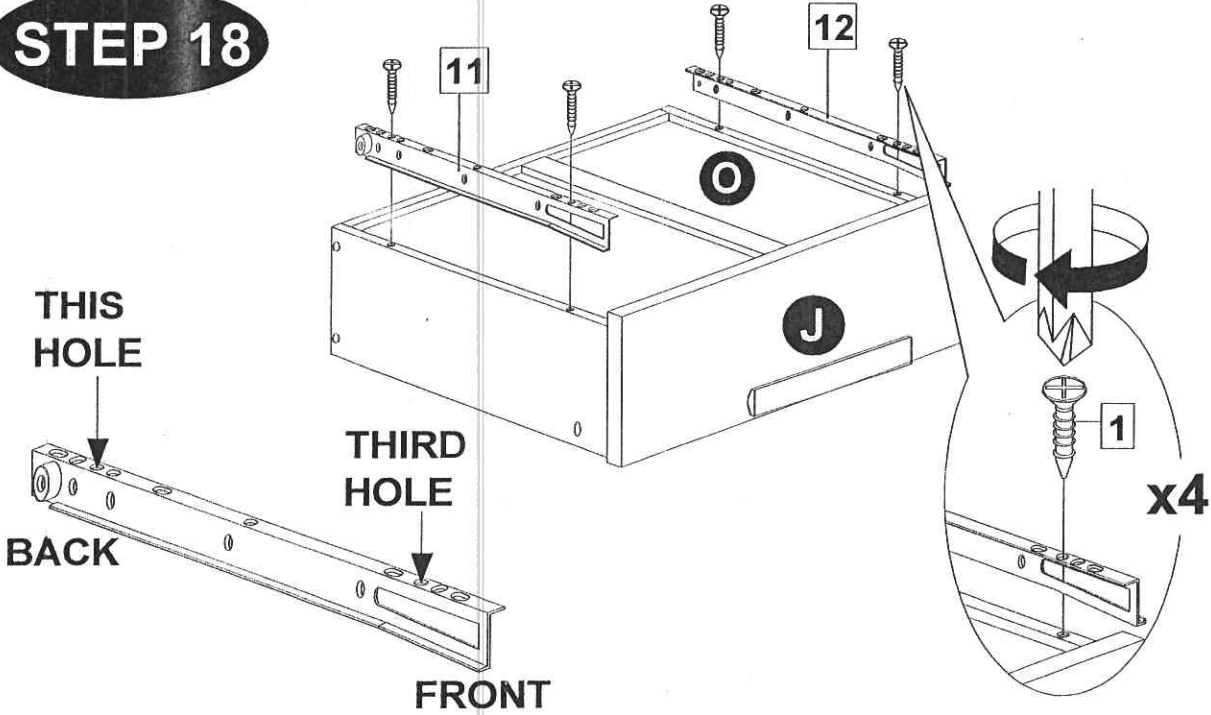




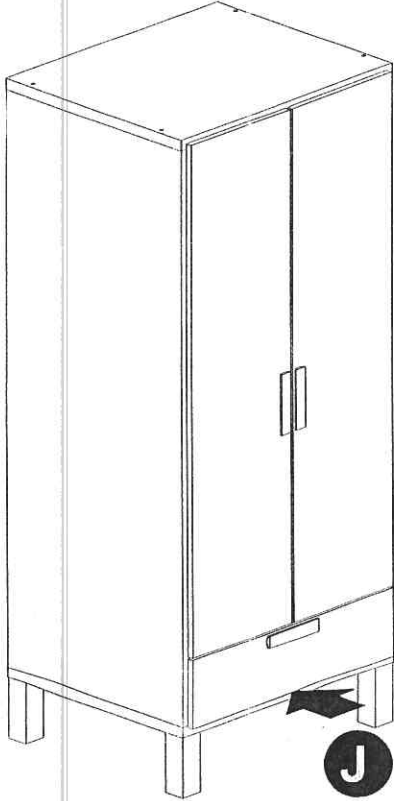
MODEL NAME:

98090

STEP 18



STEP 19



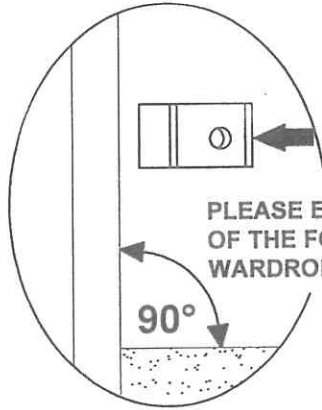
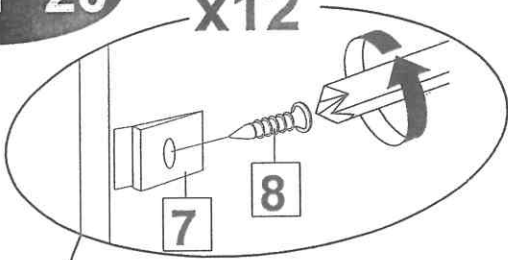


MODEL NAME:

98090

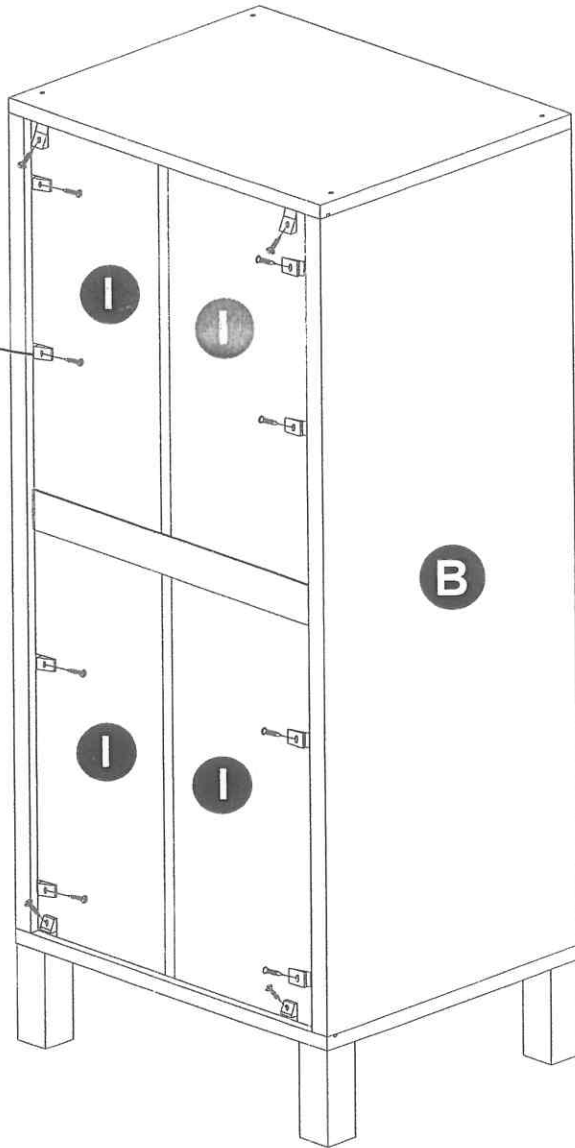
STEP 20

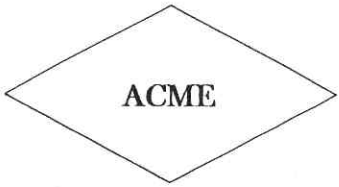
x12



PLEASE ENSURE THAT EACH OF THE FOUR CORNERS OF THE WARDROBE ARE SQUARE.

90°

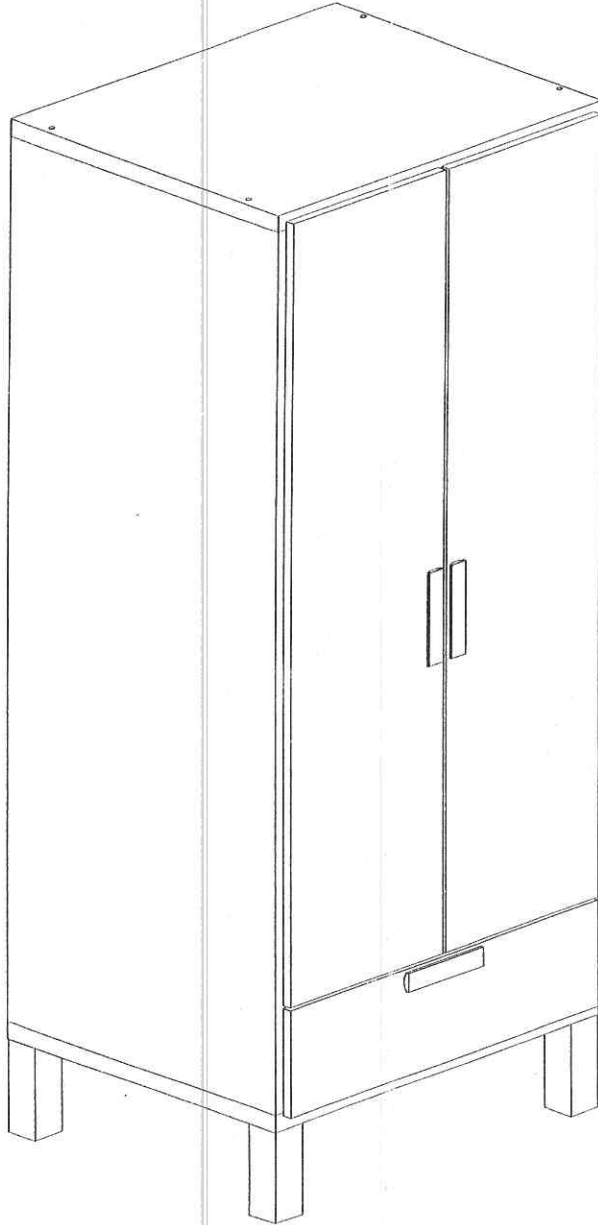




MODEL NAME:

98090

STEP 21



ACME

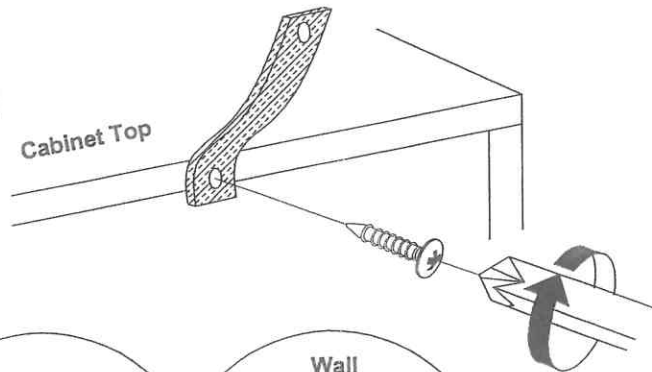
MODEL NAME:

98090

FITTING OF ANTI-TIP BRACKET

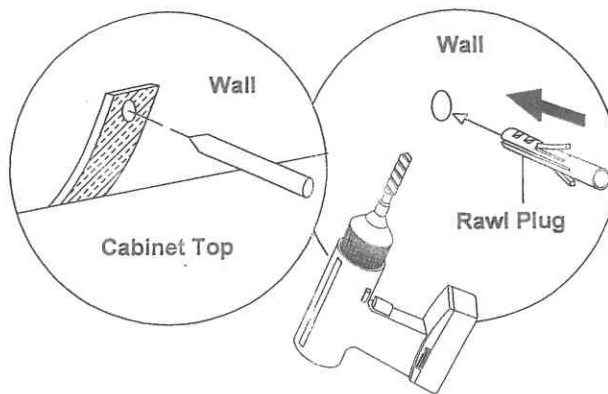
STEP 1 :

Insert screws through bracket into pre-drilled holes in cabinet.



STEP 2 :

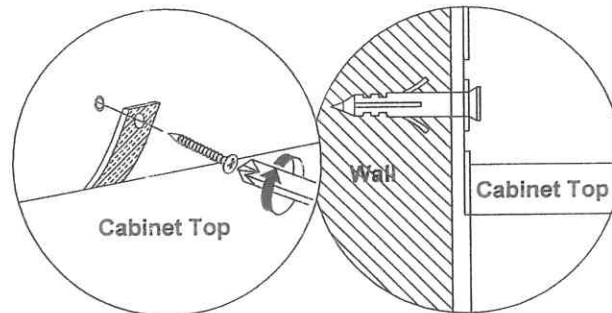
Make a mark on the wall through the bracket.



Drill a hole in the wall and insert the rawl plug.

STEP 3 :

Insert screw through bracket into hole in wall



NOTE : Wall fixings are not supplied with this product as different wall materials require different types of fixing devices (such as Rawl plugs on brick work). You must use fixing devices suitable for the type of wall you intend to mount this product to. Please ensure that the head of any screw used as a diameter greater than the diameter of the mounting hole on the bracket and that the fixing is safe and secure before use.

The screw supplied is to fix the anti-tip strap to the cabinet.

HARDWARE LIST



Anti-Tip Strap - 2pcs



M4 x 16MM - 2pcs

