

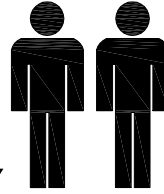
MODEL NAME:

98091

1.5hr

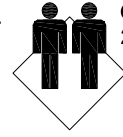
APPROXIMATE ASSEMBLY TIME

2 PERSON OF ASSEMBLY

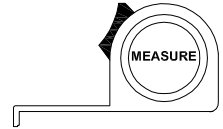
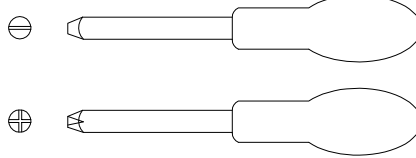
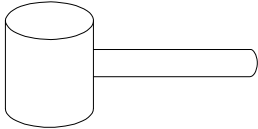


FLOOR AREA
2.0M X 2.0M

CEILING HEIGHT
2.2M

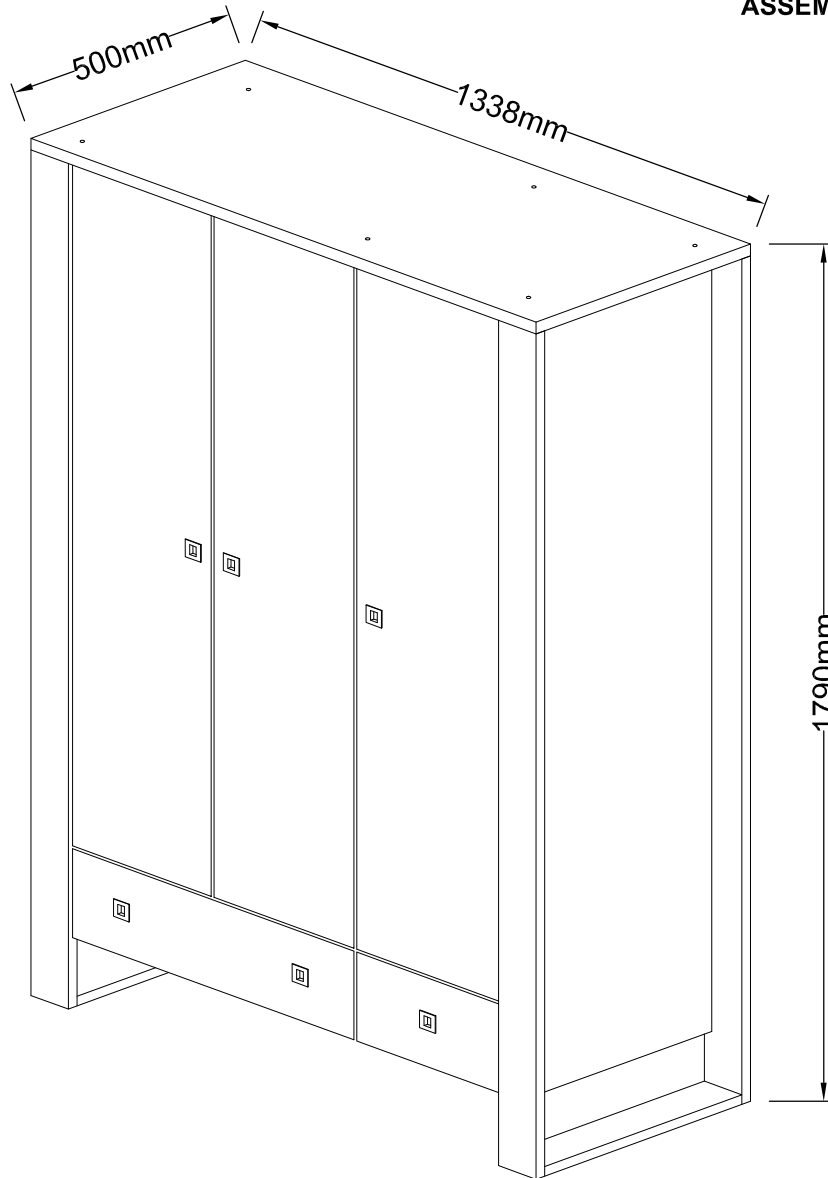


REQUIRED ASSEMBLY SPACE



REQUIRED ASSEMBLY TOOLS

ASSEMBLED DIMENSIONS



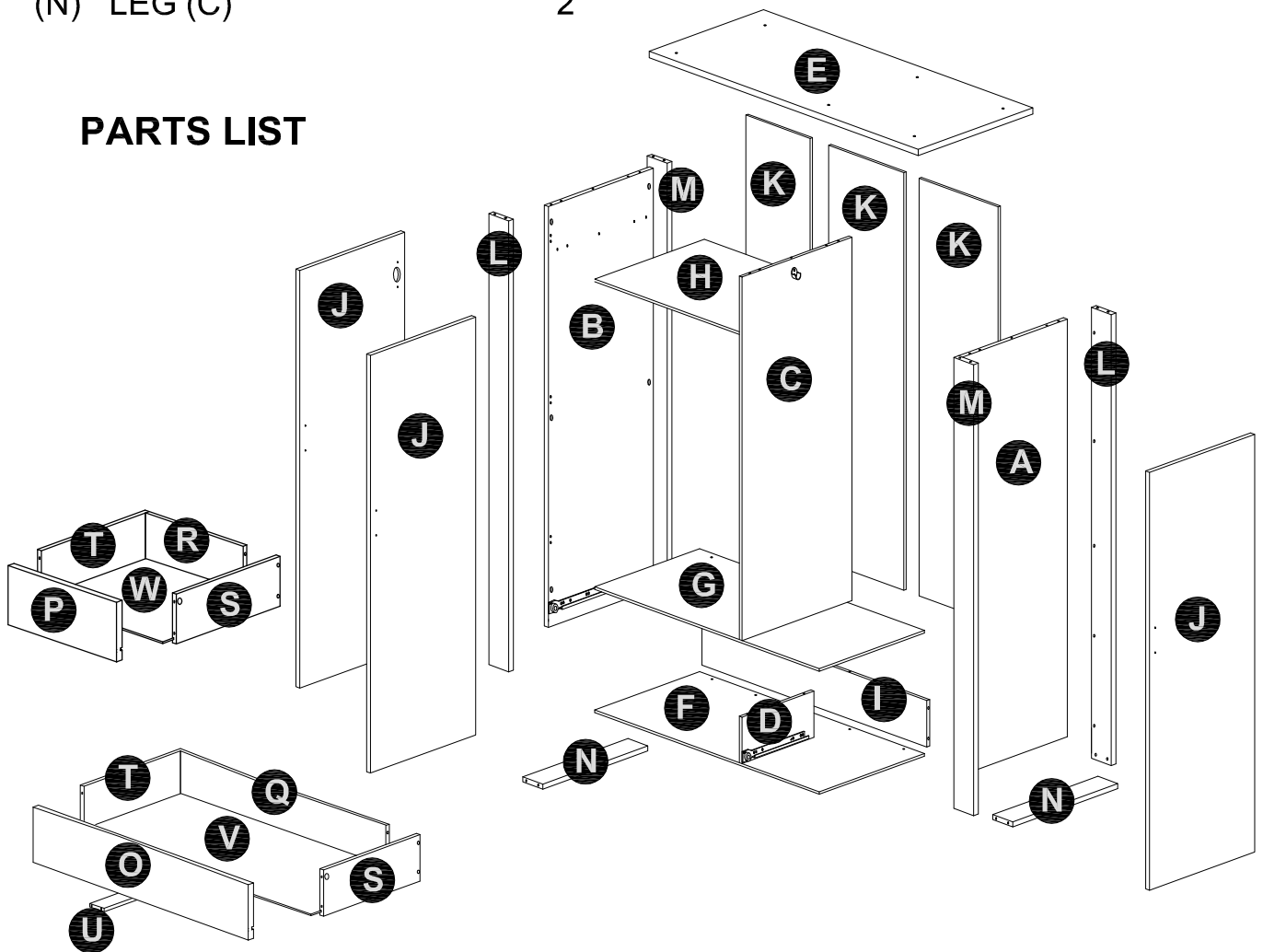
ACME

MODEL NAME:

98091

NO.	PART LIST	QTY	NO.	PART LIST	QTY
(A)	RIGHT SIDE PANEL	1	(O)	DRAWER COVER (LARGE)	1
(B)	LEFT SIDE PANEL	1	(P)	DRAWER COVER (SMALL)	1
(C)	CENTRE PANEL	1	(Q)	DRAWER BACK PANEL	1
(D)	CENTRE DIVIDER	1		(LARGE)	
(E)	TOP PANEL	1	(R)	DRAWER BACK PANEL	1
(F)	BOTTOM PANEL	1		(SMALL)	
(G)	FIX PANEL (A)	1	(S)	DRAWER RIGHT SIDE PANEL	2
(H)	FIX PANEL (B)	1	(T)	DRAWER LEFT SIDE PANEL	2
(I)	BOTTOM SUPPORT	1	(U)	DRAWER BOTTOM SUPPORT	1
(J)	DOOR PANEL	3	(V)	DRAWER BOTTOM PANEL	1
(K)	BACK PANEL	2		(LARGE)	
(L)	LEG (A)	2	(W)	DRAWER BOTTOM PANEL	1
(M)	LEG (B)	2		(SMALL)	
(N)	LEG (C)	2			

PARTS LIST

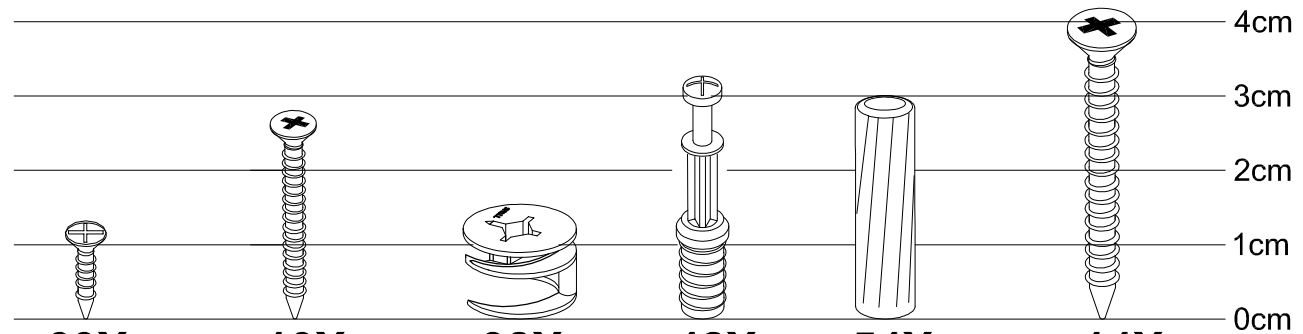


ACME

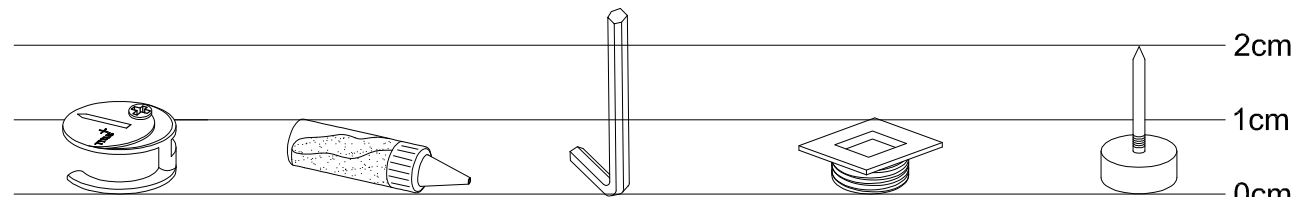
MODEL NAME:

98091

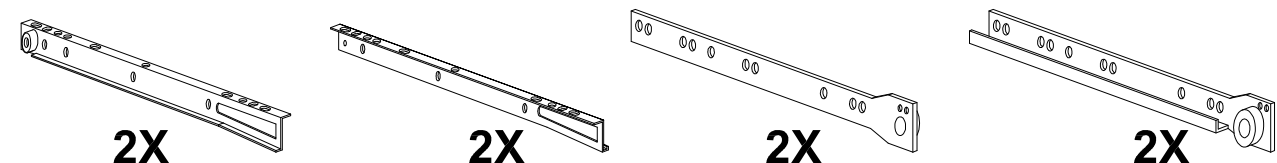
HARDWARE LIST



- 60X**
M3.5 x 12mm
1
FLAT HEAD SCREW
- 10X**
M3.5 x 25mm
2
FLAT HEAD SCREW
- 38X**
Dia.15mm
3
CAMLOCK
- 42X**
M6.5
4
QUICKFIT
- 54X**
Dia.6 x 30mm
5
WOOD DOWEL
- 14X**
M8 x 38mm
6
FLAT HEAD SCREW



- 4X**
Dia.15mm
7
DRAWER CAMLOCK
- 2X**
8
GLUE 10CC
- 1X**
M4
9
ALLEN KEY
- 6X**
10
HANDLE
- 4X**
11
LEG COVER



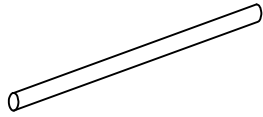
- 2X**
12
DRAWER RUNNER (RIGHT)
- 2X**
13
DRAWER RUNNER (LEFT)
- 2X**
14
DRAWER RUNNER (LEFT)
- 2X**
15
DRAWER RUNNER (RIGHT)

ACME

MODEL NAME:

98091

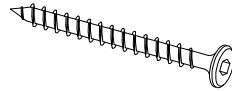
HARDWARE LIST



1X

16

HANGING RAIL (SHORT)



6X

M7 x 50mm

17

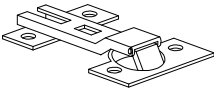
ALLEN HEAD
SCREW



70X

18

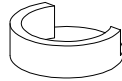
METAL NAILS



9X

19

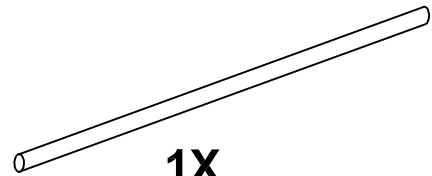
ADJUSTABLE
HINGE



4X

20

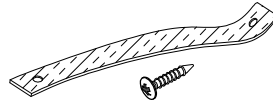
HANGING RAIL
SUPPORT



1X

21

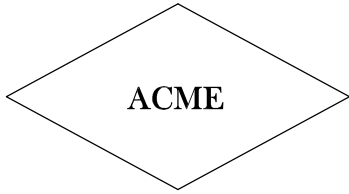
HANGING RAIL (LONG)



2X

22

ANTI TIP STRAP



MODEL NAME:

98091

Top Tips before you start!

1. Please check that all parts are present before you start the assembly of your furniture, as once assembled, the furniture is exempt from our home approval policy.
2. For ease and speed of assembly, we recommend that before you commence each step of the assembly, that you identify all the parts required for that step.
3. For larger items, please ensure that you have sufficient space and people (as indicated on page 1) to assemble your product safely
4. We recommend that, where possible, all items are assembled near to the area in which they will be placed in use, to avoid moving the product unnecessarily once assembled.
5. For the protection of your furniture, particularly items of high gloss finish, we recommend that the product is placed on a protected surface during assembly to prevent any damage.
6. During assembly please take care not to over-tighten any fittings, as this may damage the product.
7. Always place the product on a flat, steady and stable surface.
8. Do not sit or stand on the product.
Do not use the product as a stepladder.
9. This product is intended for indoor, household use only as it is non industrial product.
10. This product is constructed from re-inforced hollow board. Excessive pressure cause irreparable damage. Please do not kneel on any part of this product during assembly.

Care and Maintenance of your Furniture

- Please periodically check all fittings are re-tighten as necessary.
- To clean your item, please use a damp cloth and wipe clean.
- Never allow any kind of liquid to remain on your furniture. Absorption can cause wood to warp or finishes to de-laminate.
- Please do not place hot items (e.g. hot drinks) directly on to the wood surface.
- Please do not drag and pull your furniture.

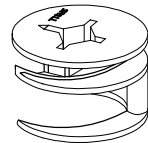
ACME

MODEL NAME:

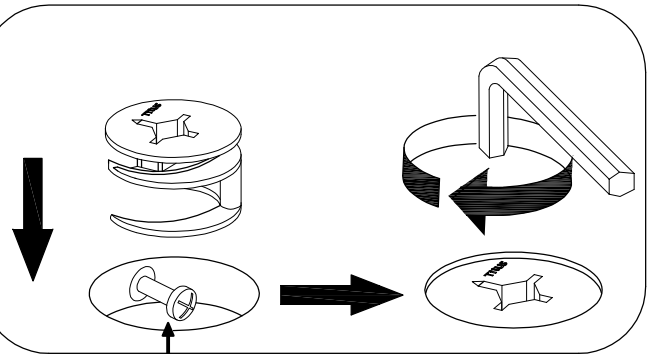
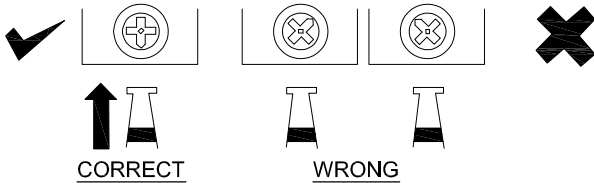
98091

SPECIAL TIPS FOR FITTING CAM-LOCKS AND QUICKFIT

CAM-LOCK

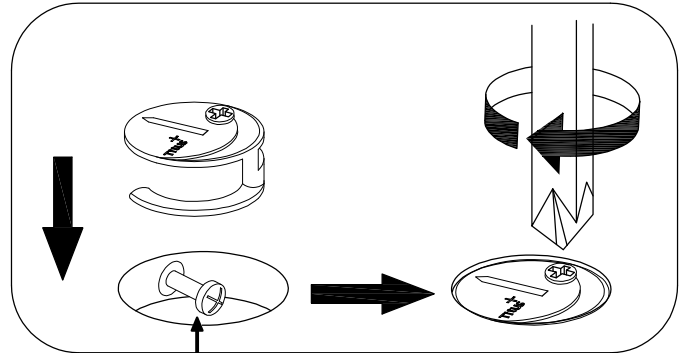
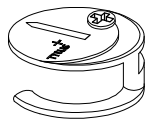


WHEN FITTING CAMLOCK
ENSURE STARTING POSITION IS CORRECT
BEFORE YOU INSERT CONNECTING QUICKFIT
TURN CLOCKWISE UNTIL SECURE



Quickfit head needs to be in centre

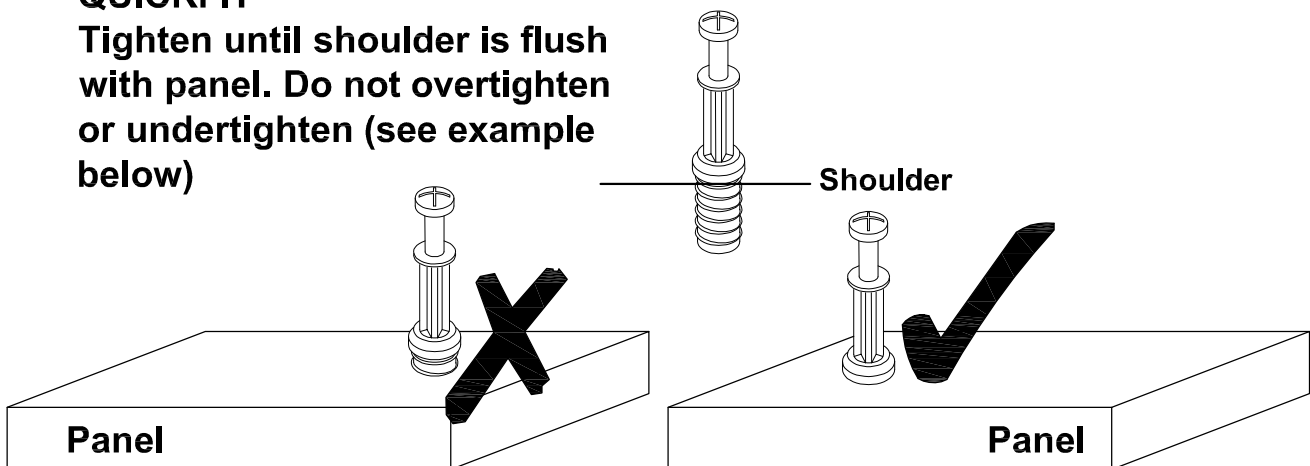
DRAWER
CAM-LOCK

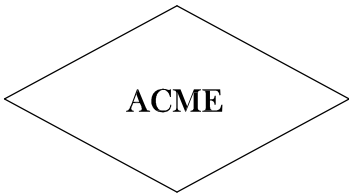


Quickfit head needs to be in centre

QUICKFIT

Tighten until shoulder is flush with panel. Do not overtighten or undertighten (see example below)

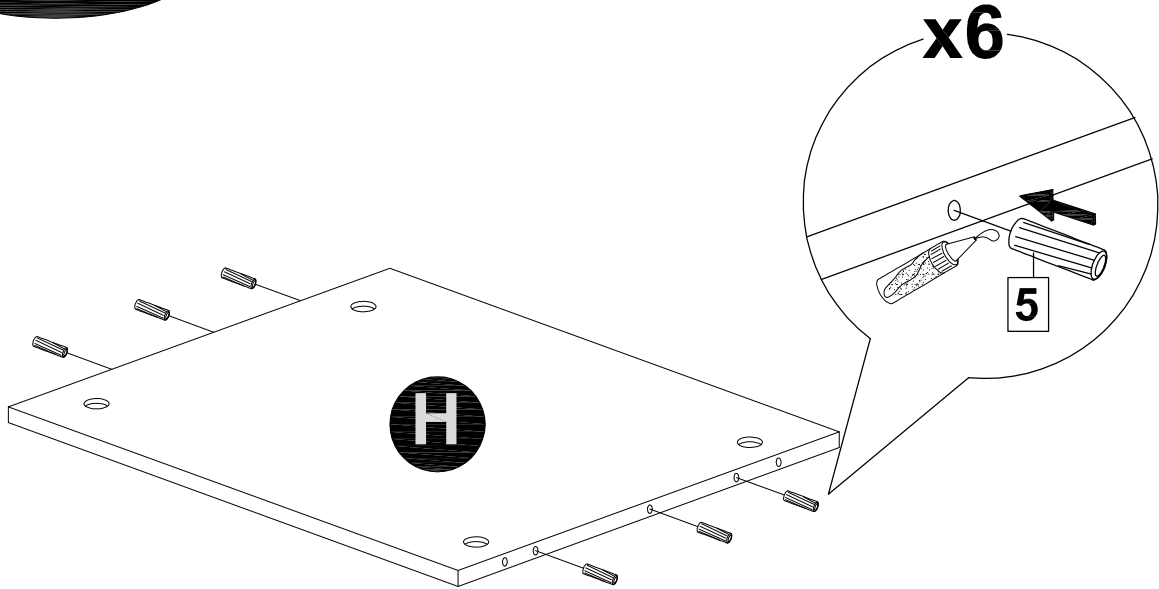




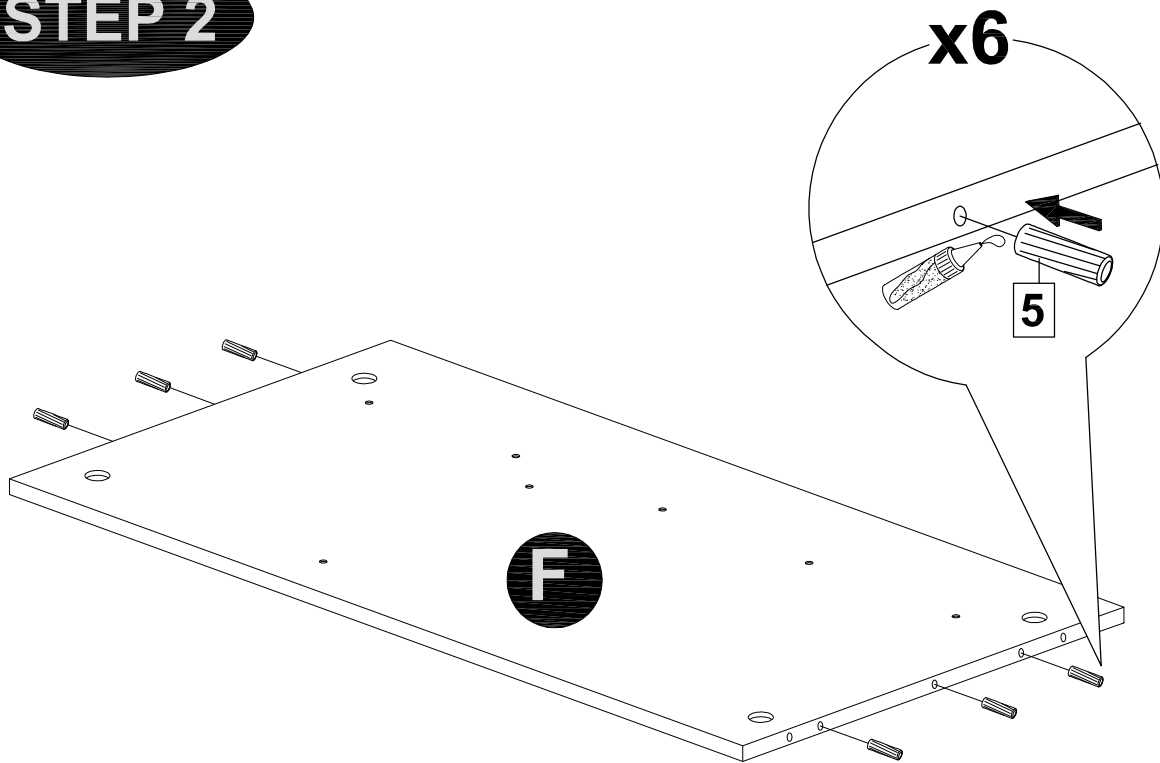
MODEL NAME:

98091

STEP 1



STEP 2

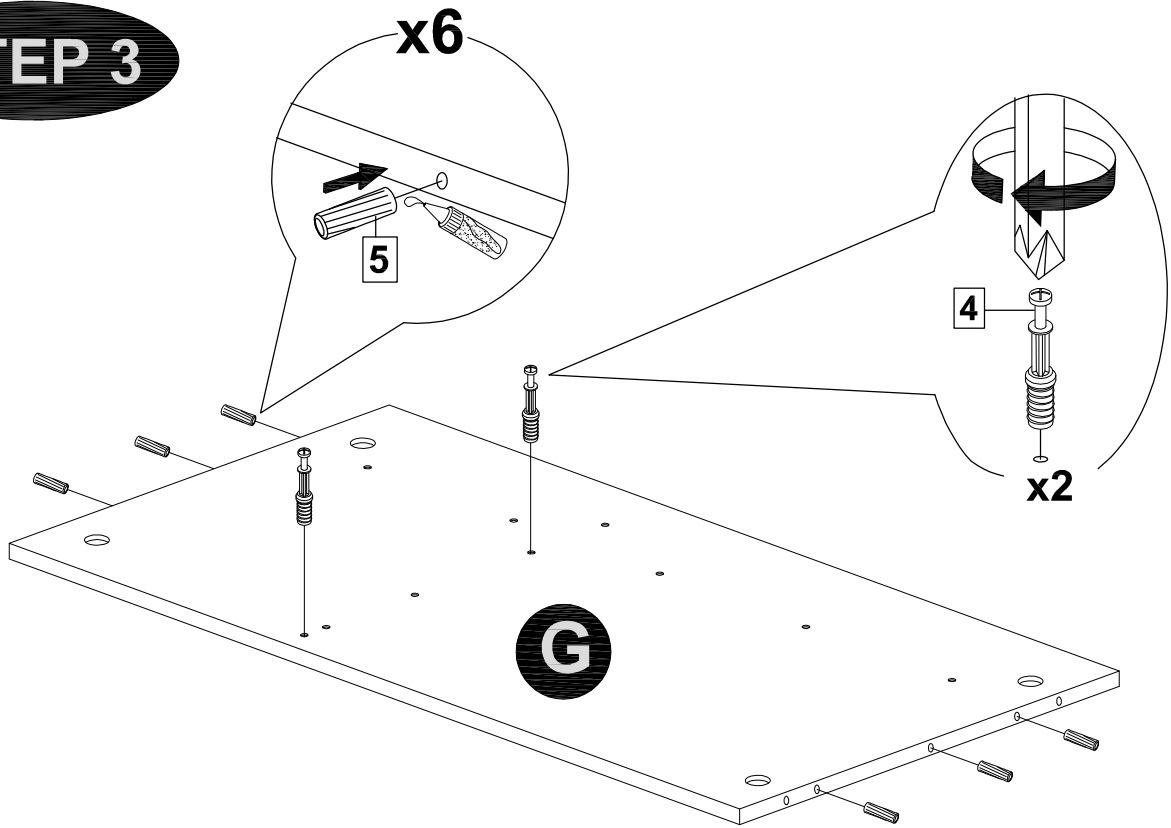


ACME

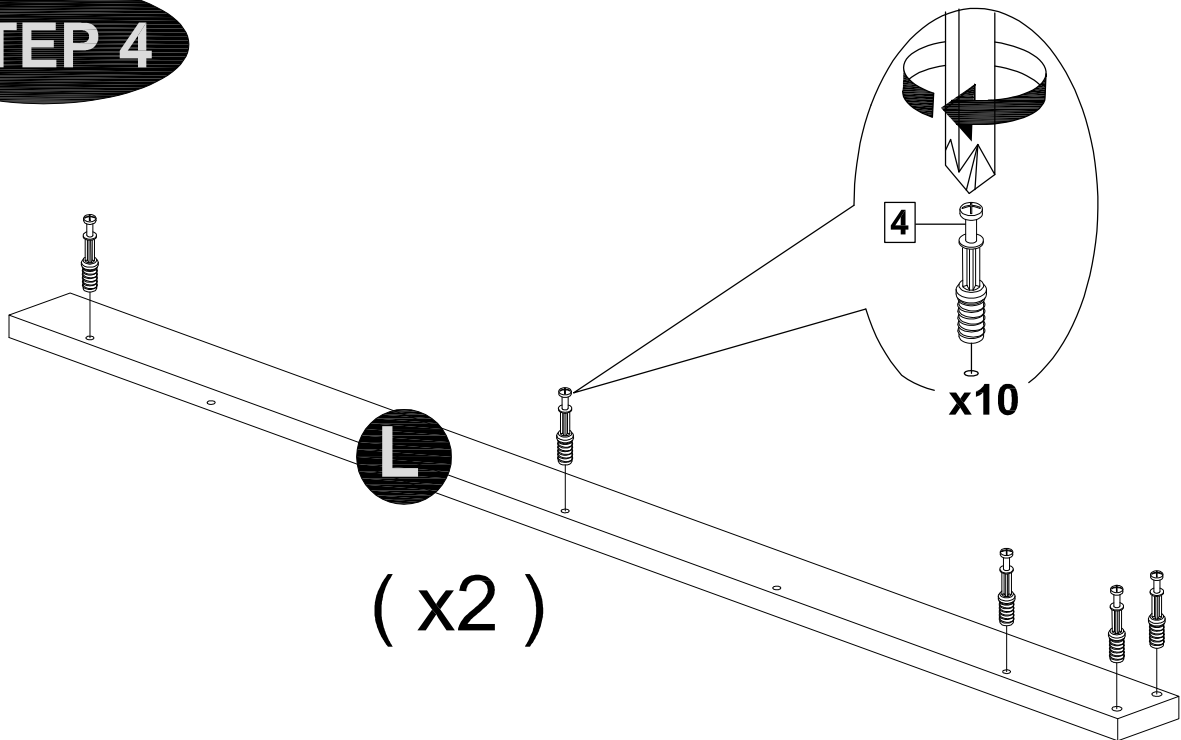
MODEL NAME:

98091

STEP 3



STEP 4

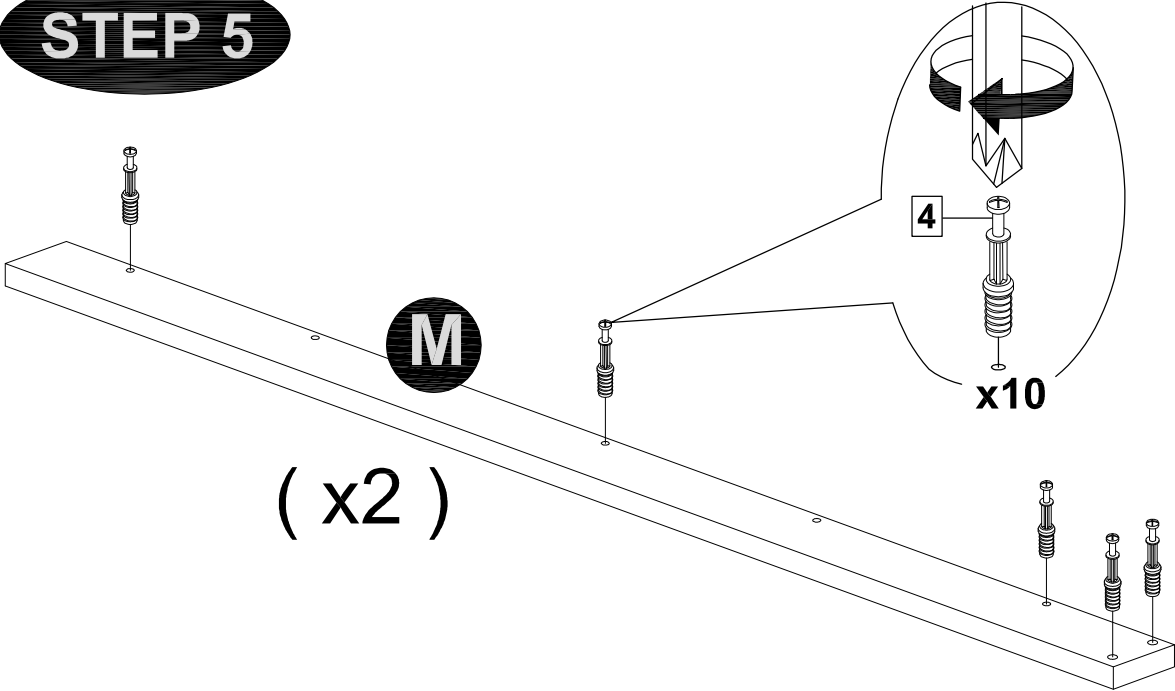




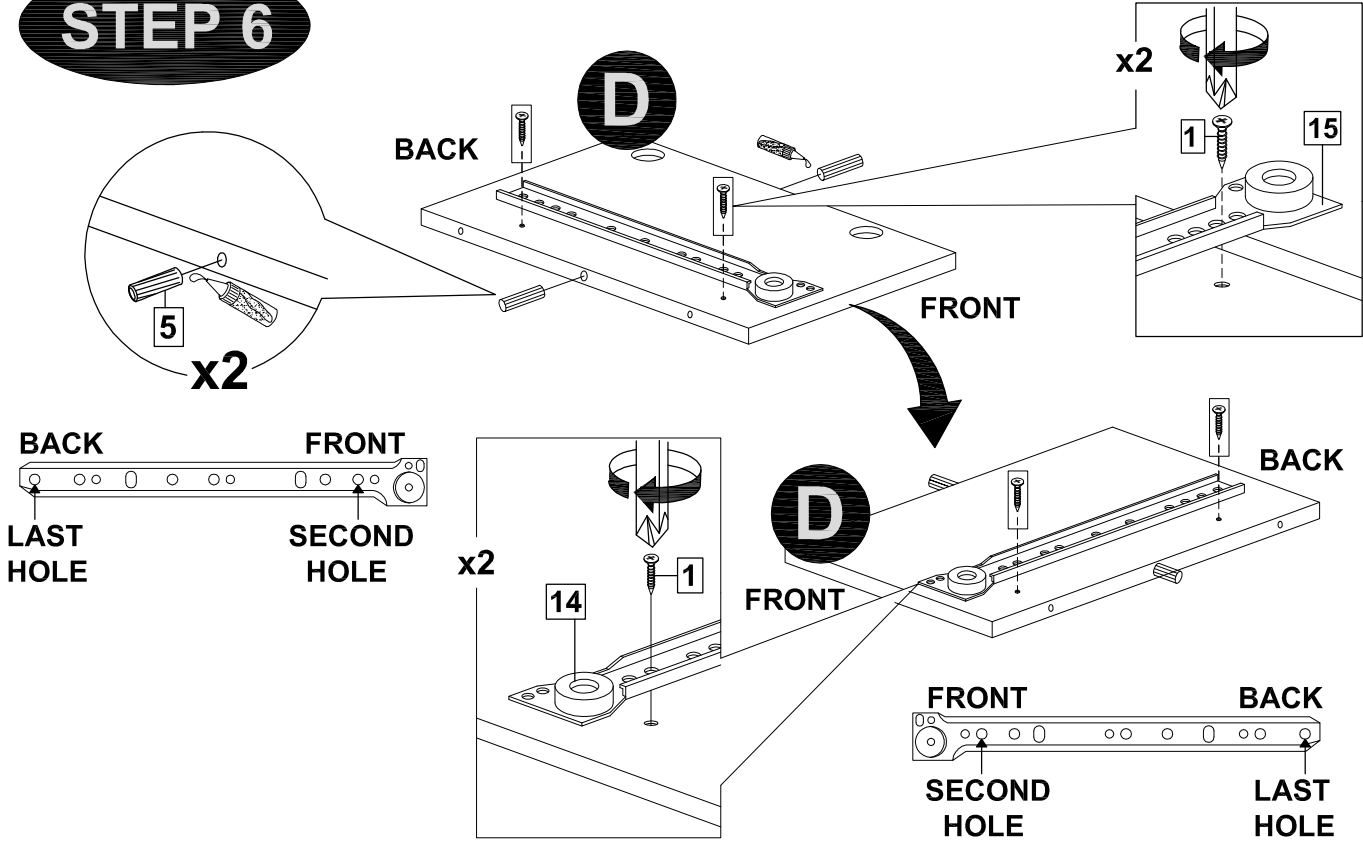
MODEL NAME:

98091

STEP 5



STEP 6

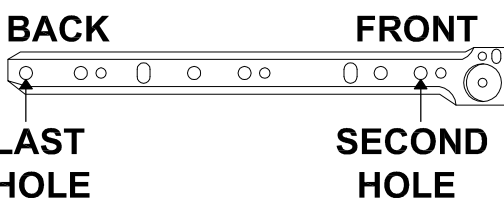
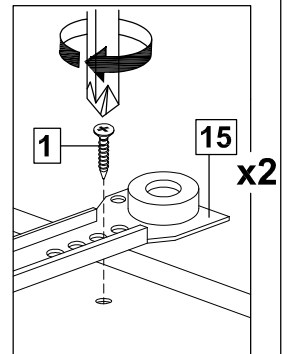
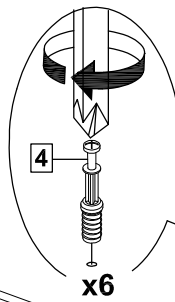
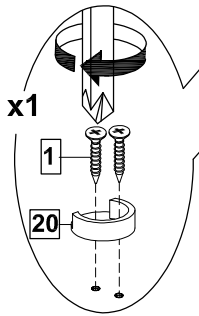
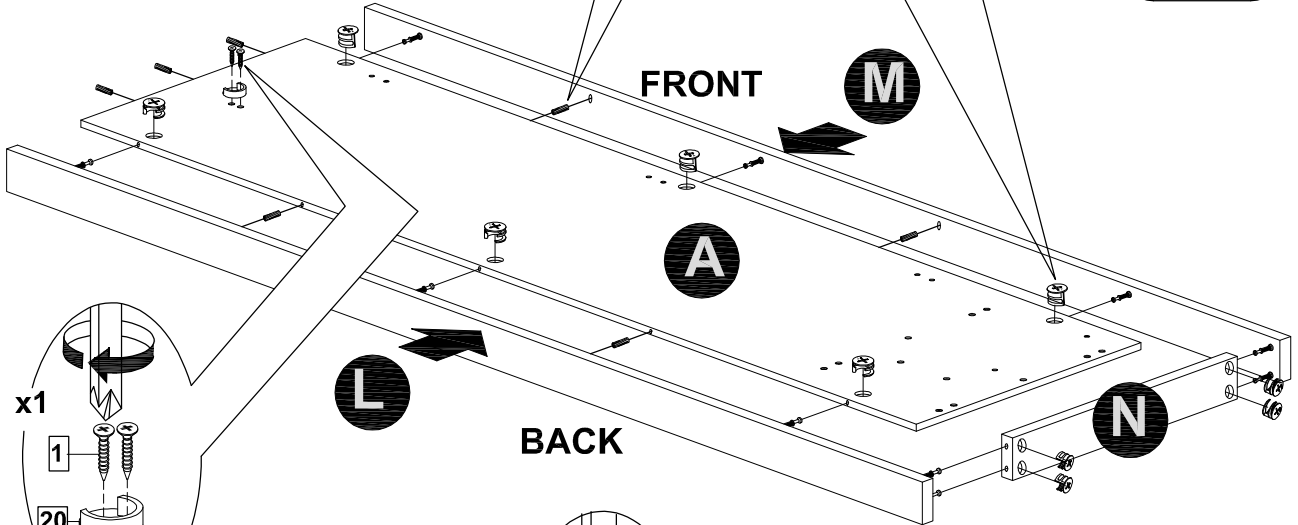
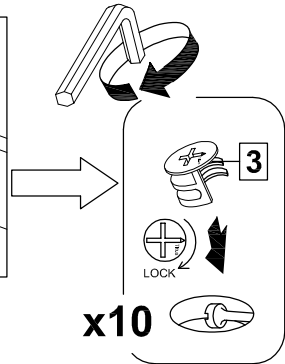
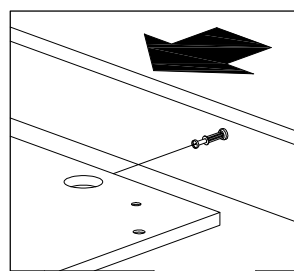
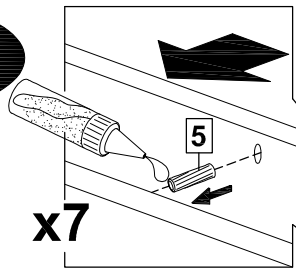
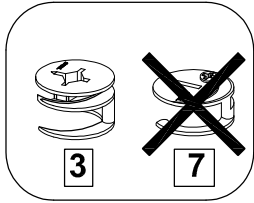


ACME

MODEL NAME:

98091

STEP 7

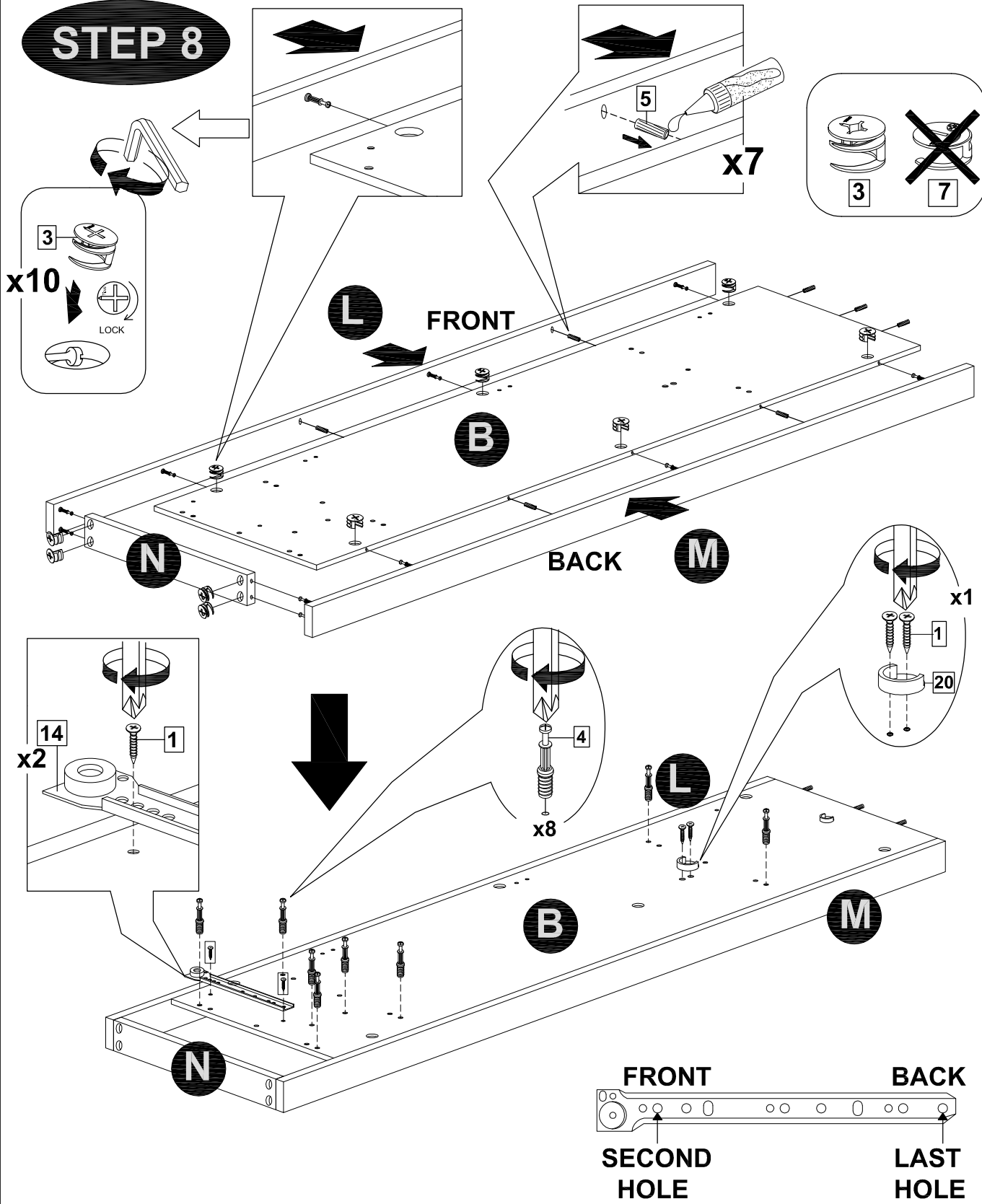


ACME

MODEL NAME:

98091

STEP 8

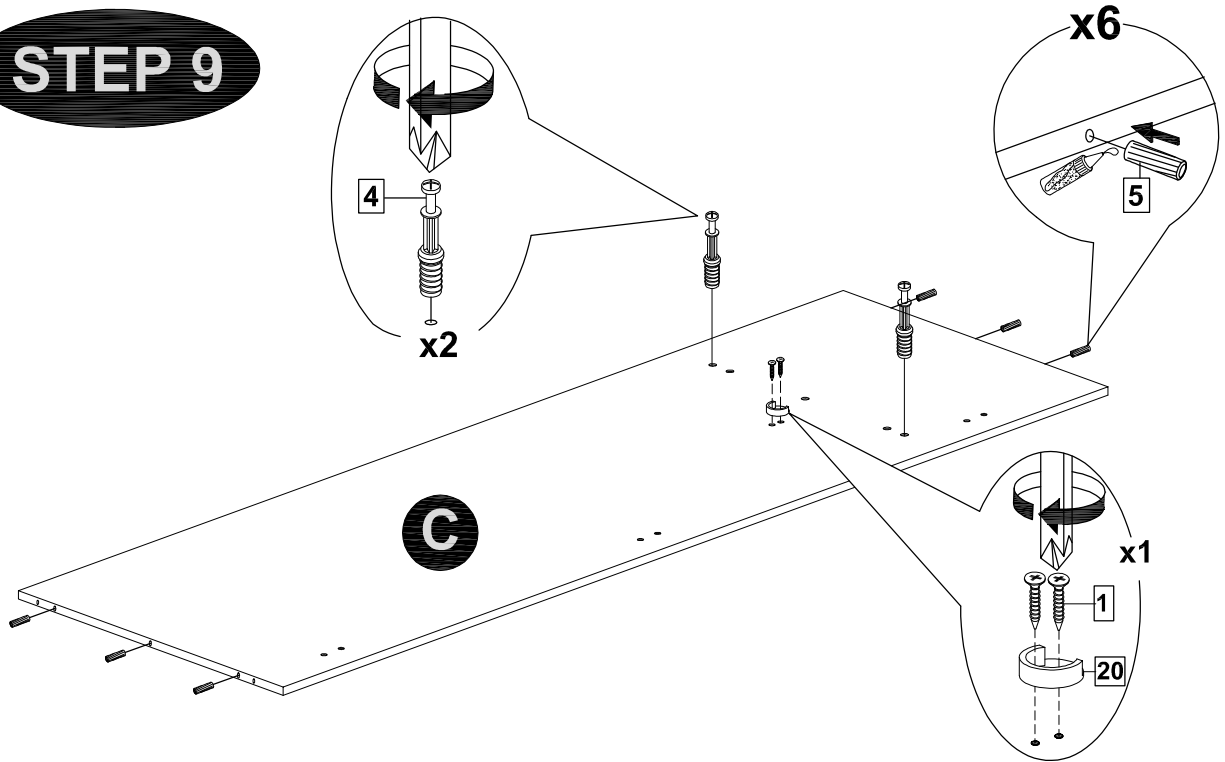


ACME

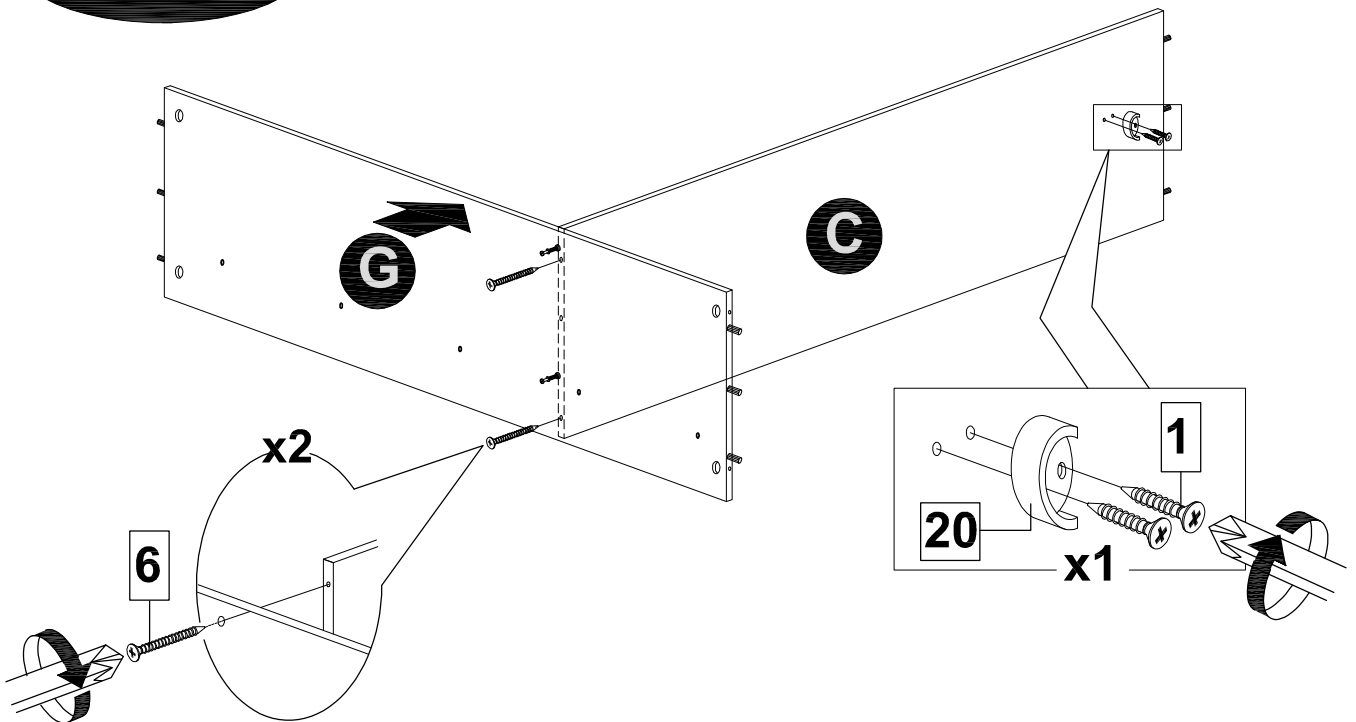
MODEL NAME:

98091

STEP 9



STEP 10

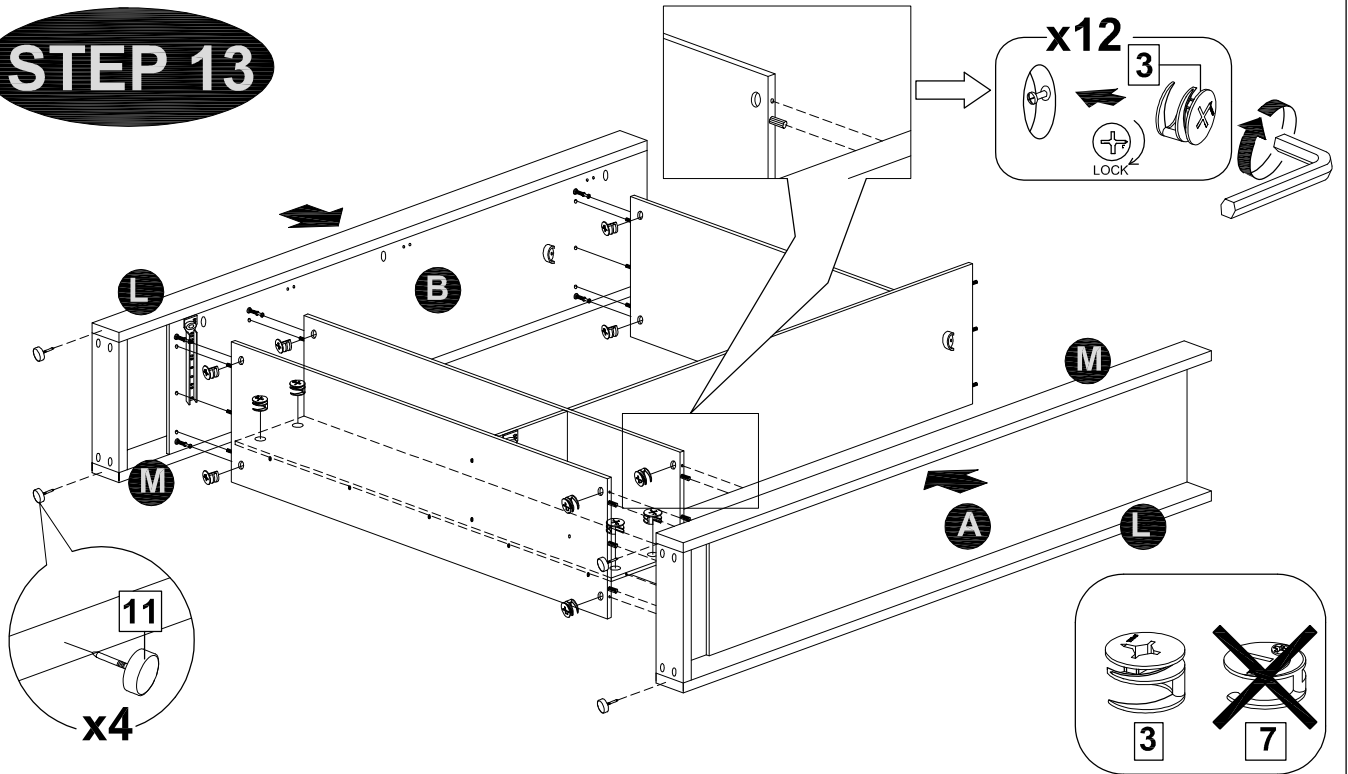


ACME

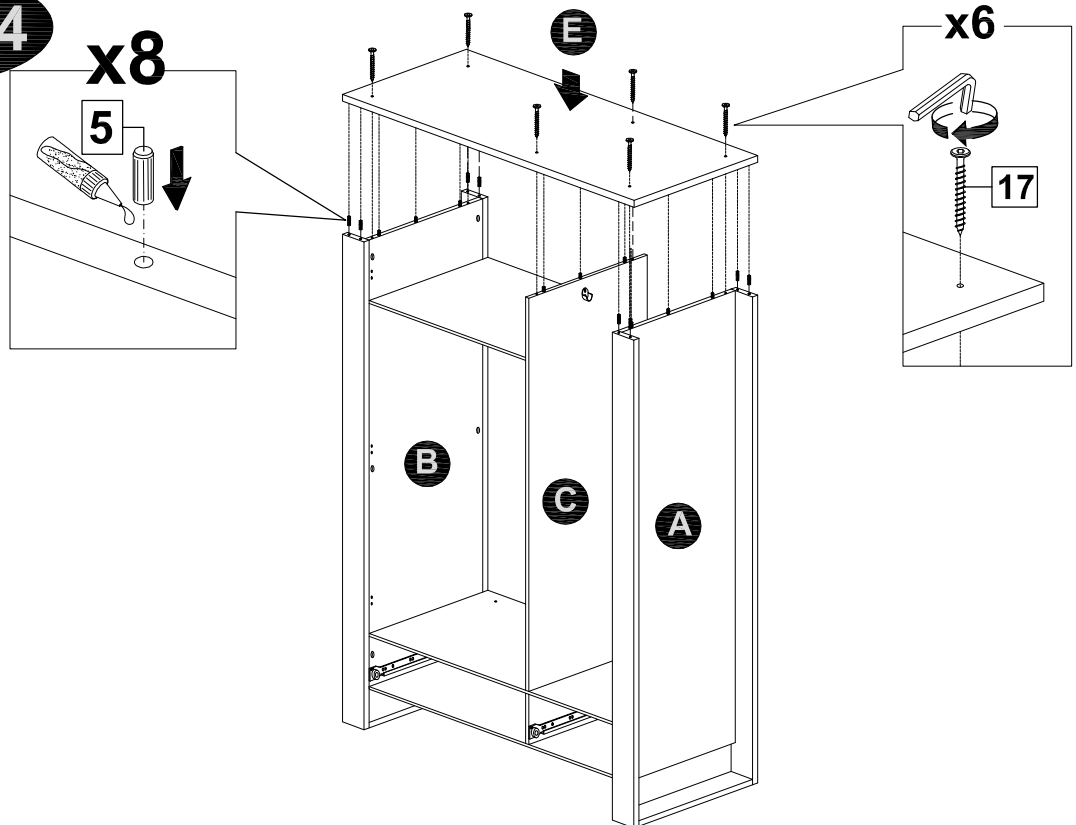
MODEL NAME:

98091

STEP 13



STEP 14

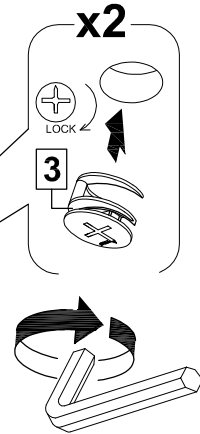
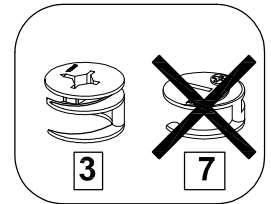
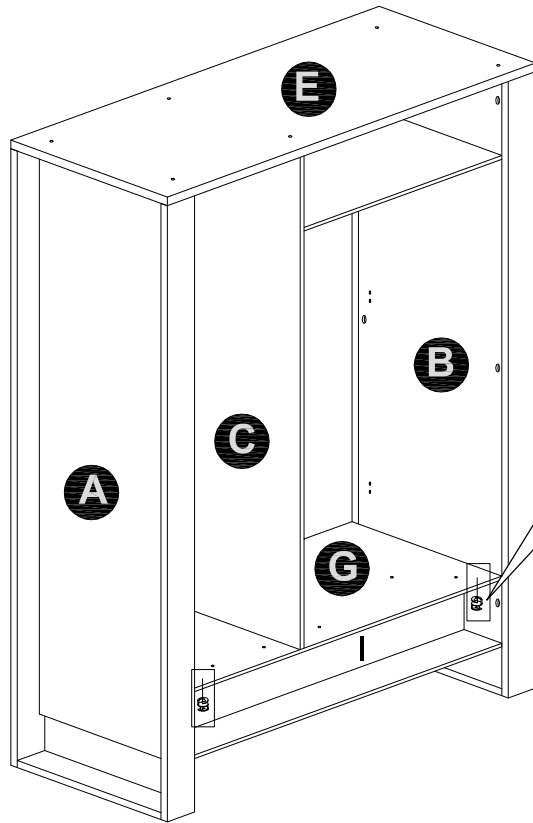


ACME

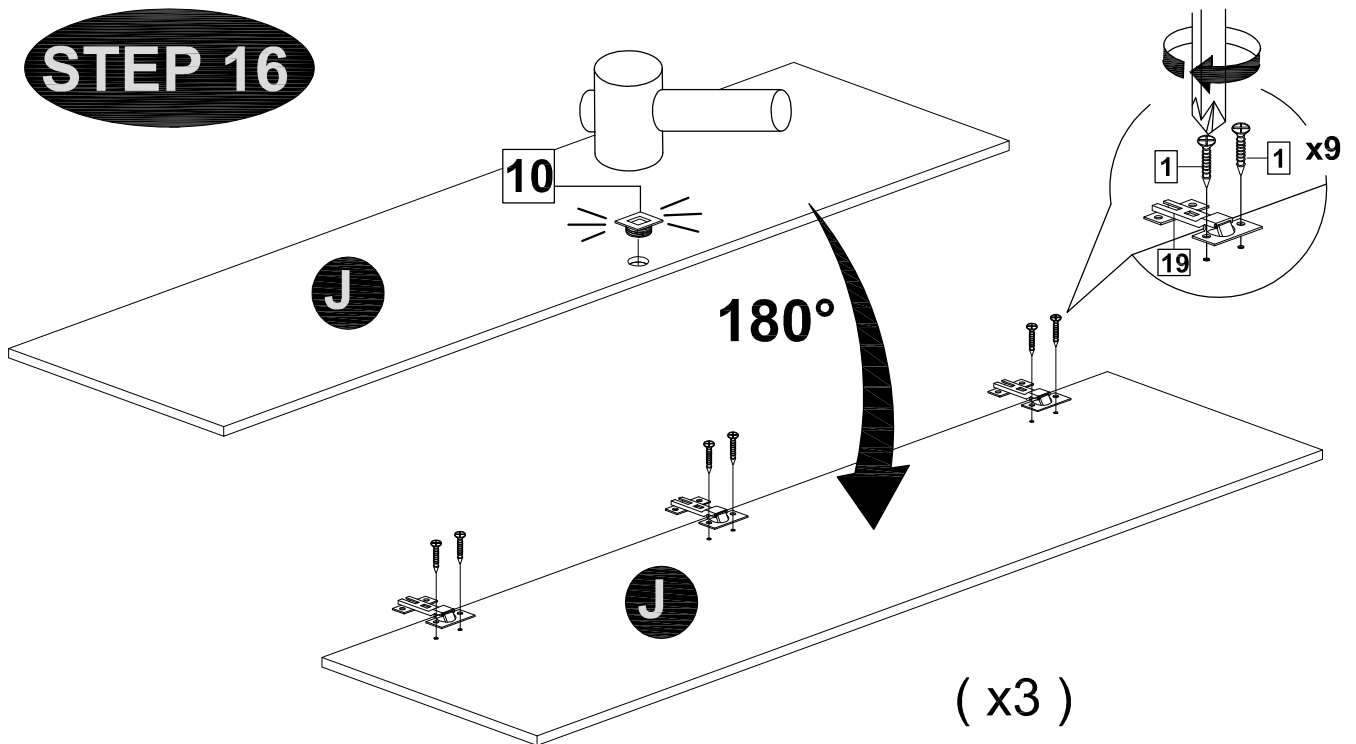
MODEL NAME:

98091

STEP 15



STEP 16



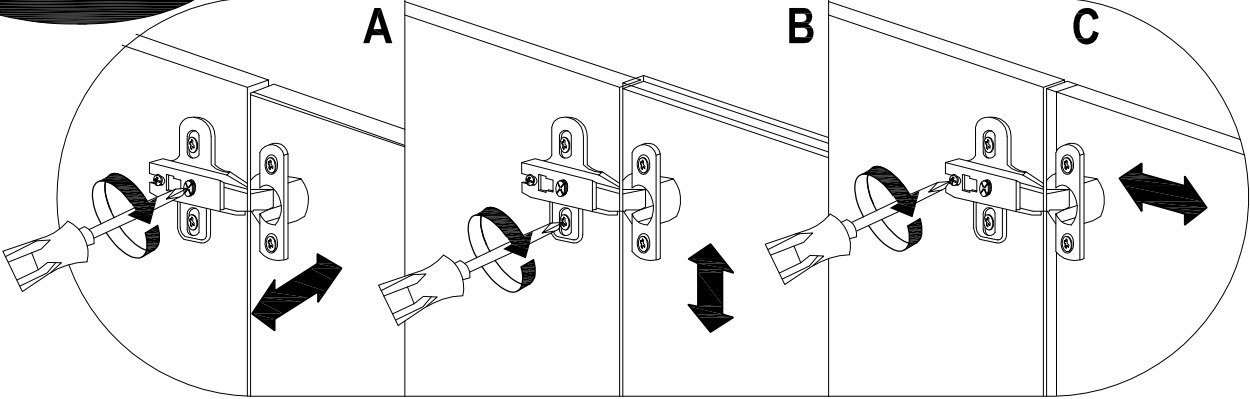


MODEL NAME:

98091

STEP 17

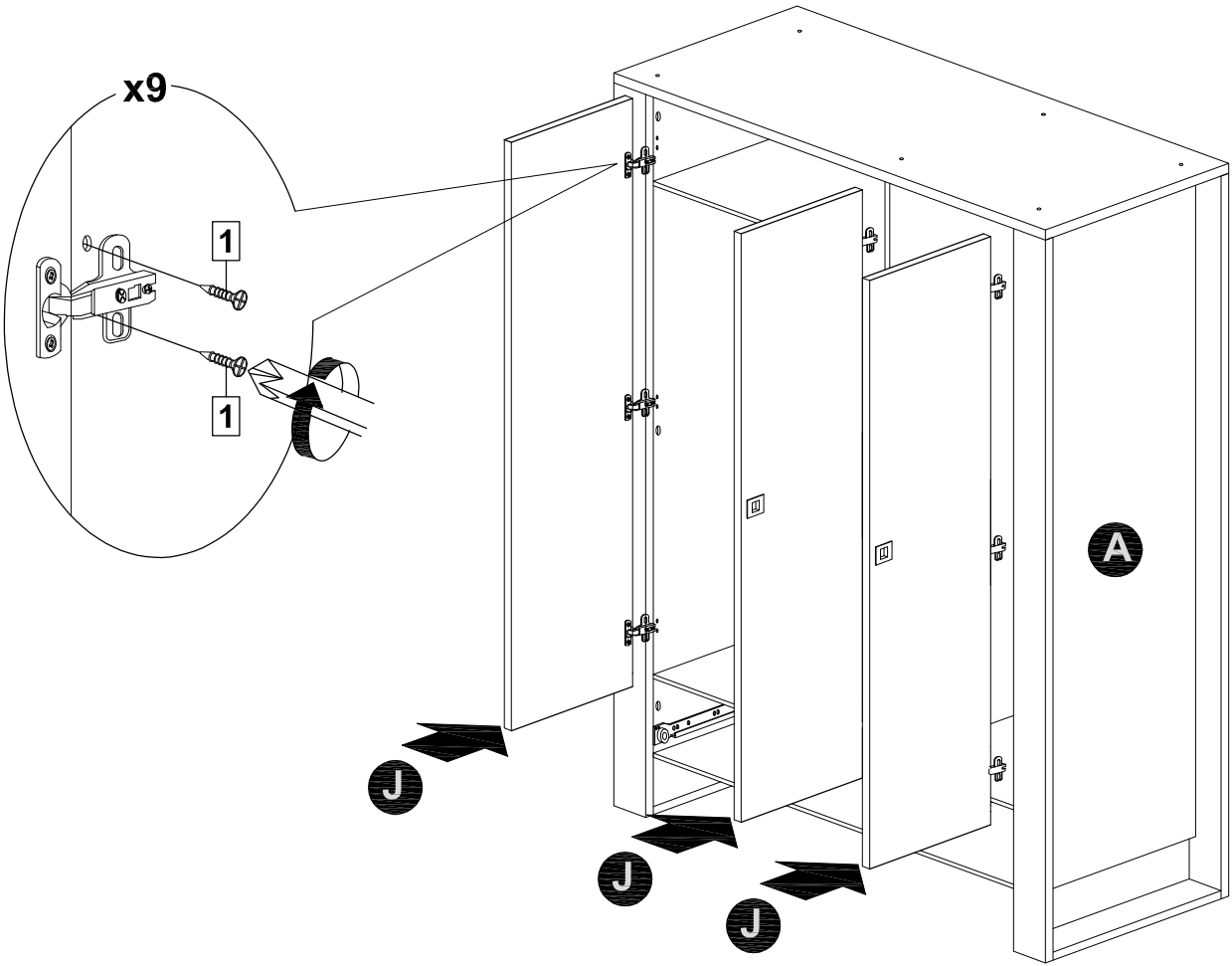
Hinges Adjustment Facilities

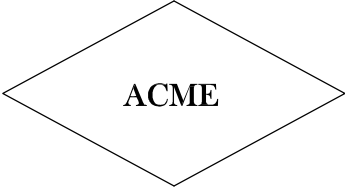


A. Lateral adjustment by screw adjusting

B. Vertical adjustment via slot in the mounting plate

C. Front-to-Back by the slacking the hinge arm mounting screw

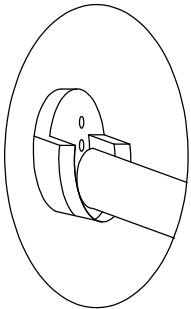




MODEL NAME:

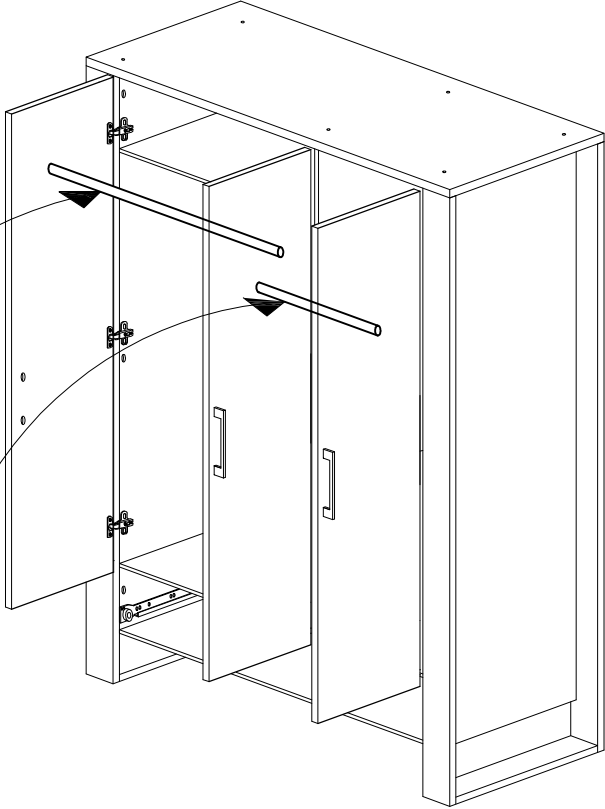
98091

STEP 18

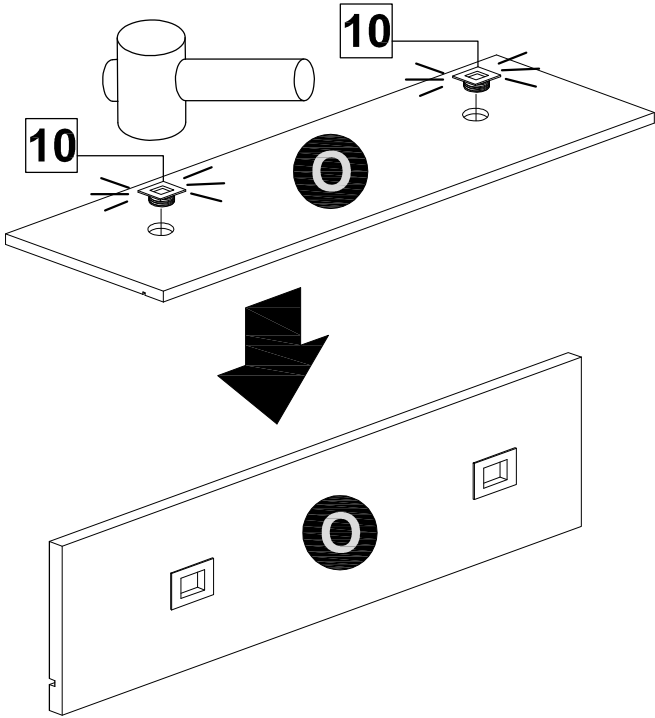


21

16



STEP 19

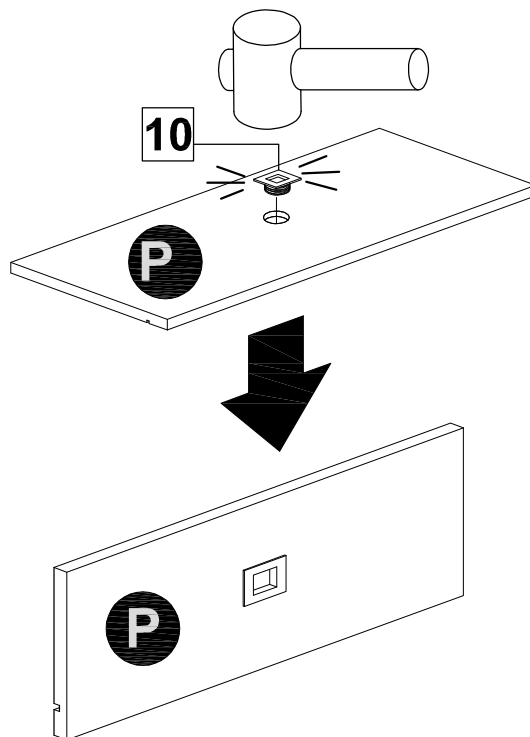


ACME

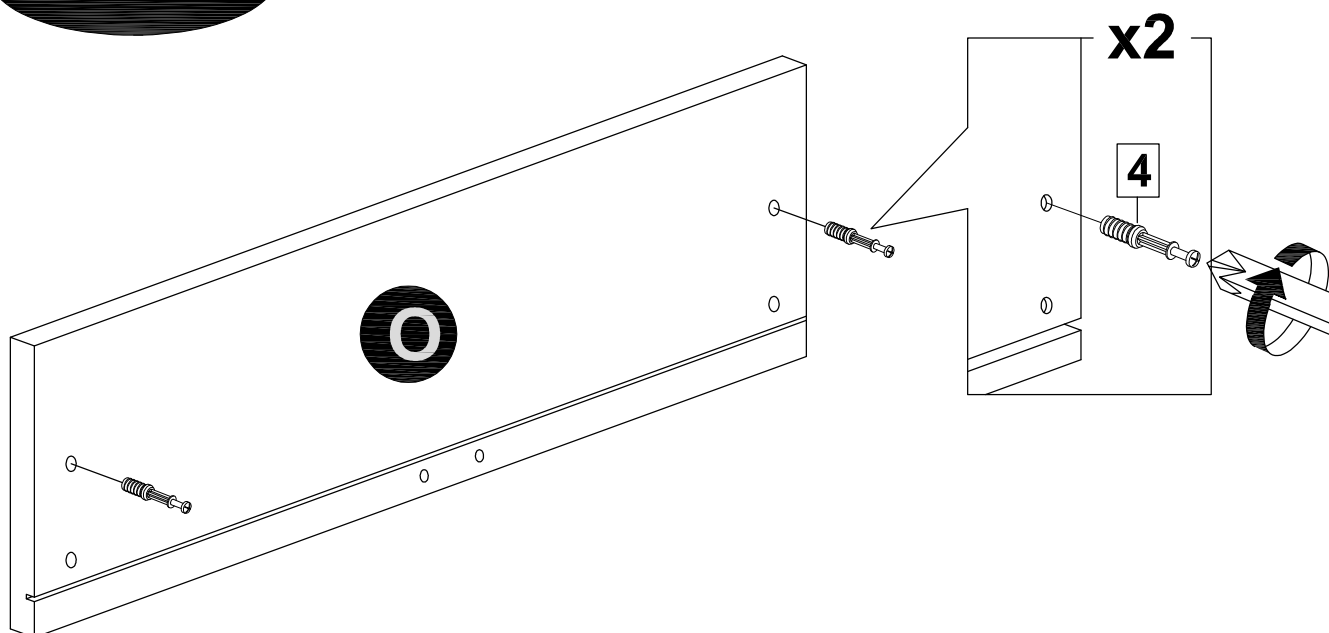
MODEL NAME:

98091

STEP 20



STEP 21

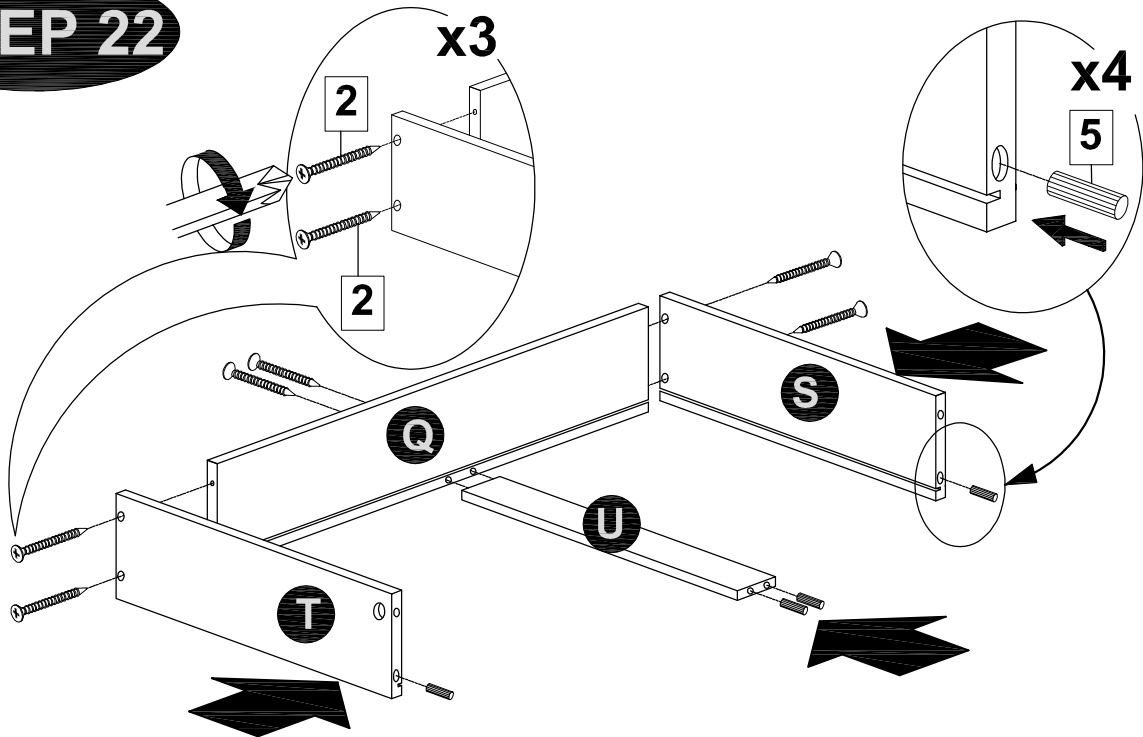


ACME

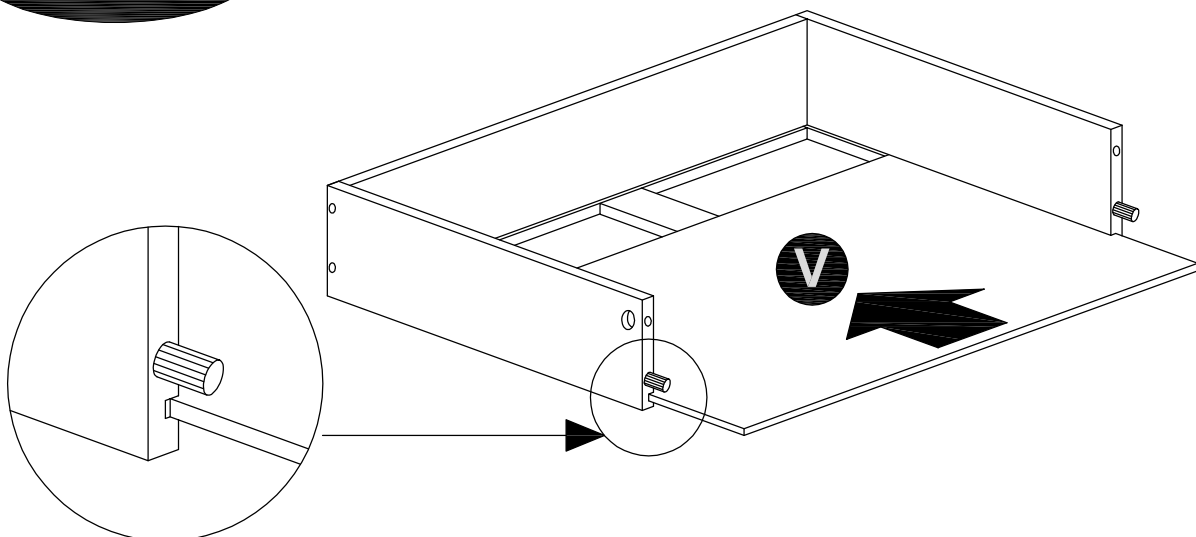
MODEL NAME:

98091

STEP 22



STEP 23

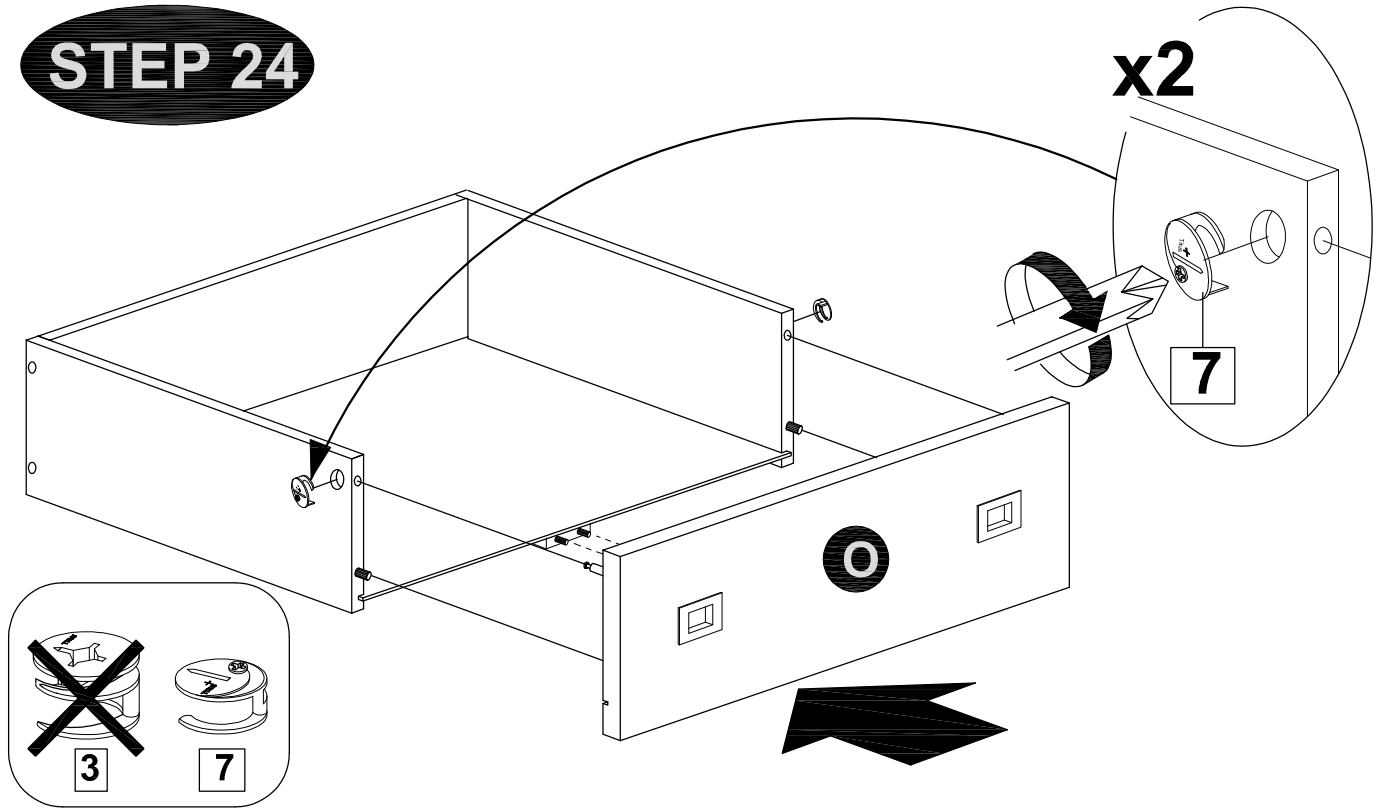


ACME

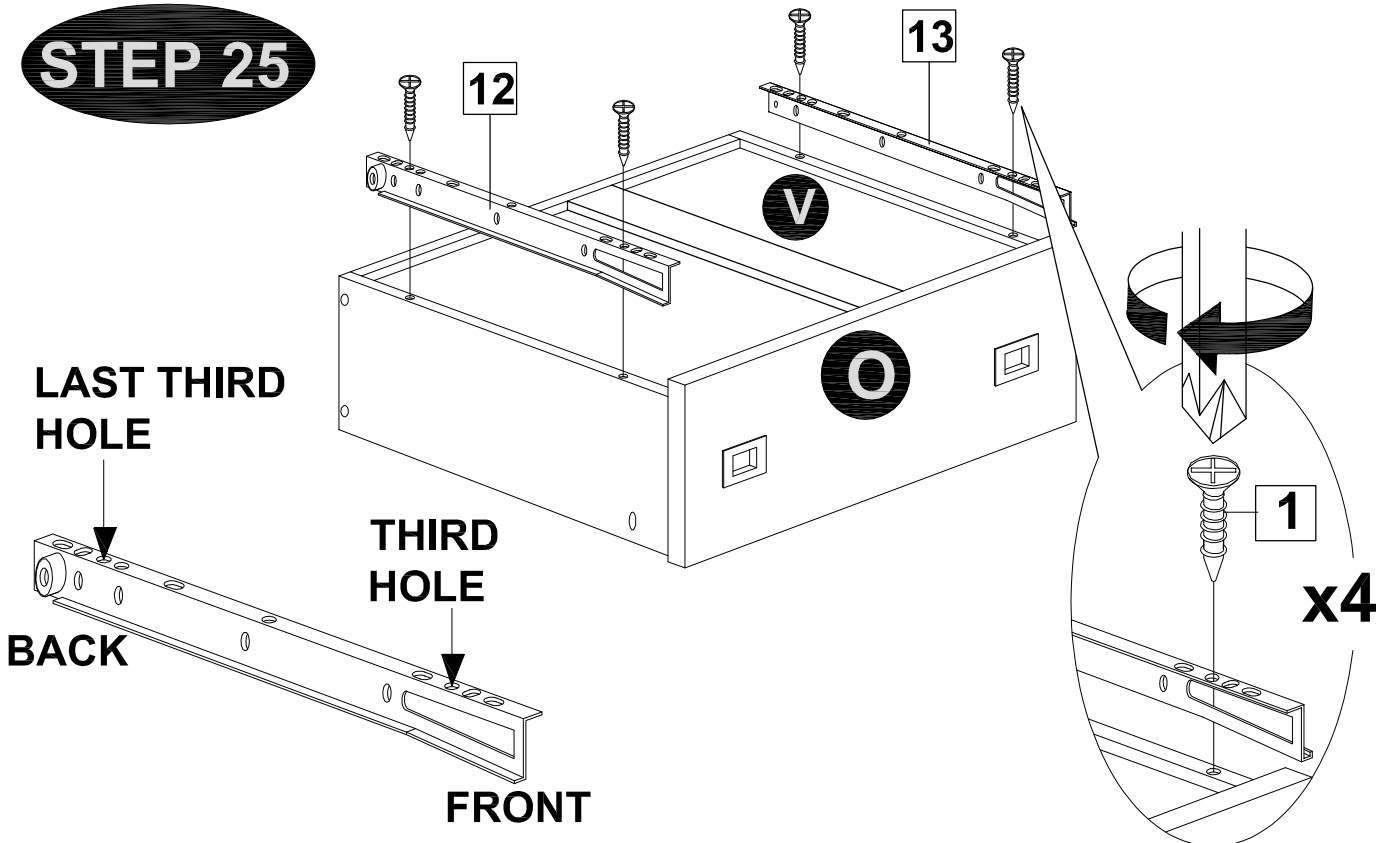
MODEL NAME:

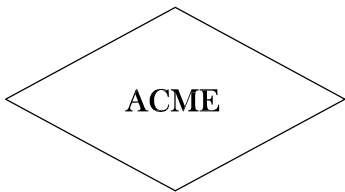
98091

STEP 24



STEP 25

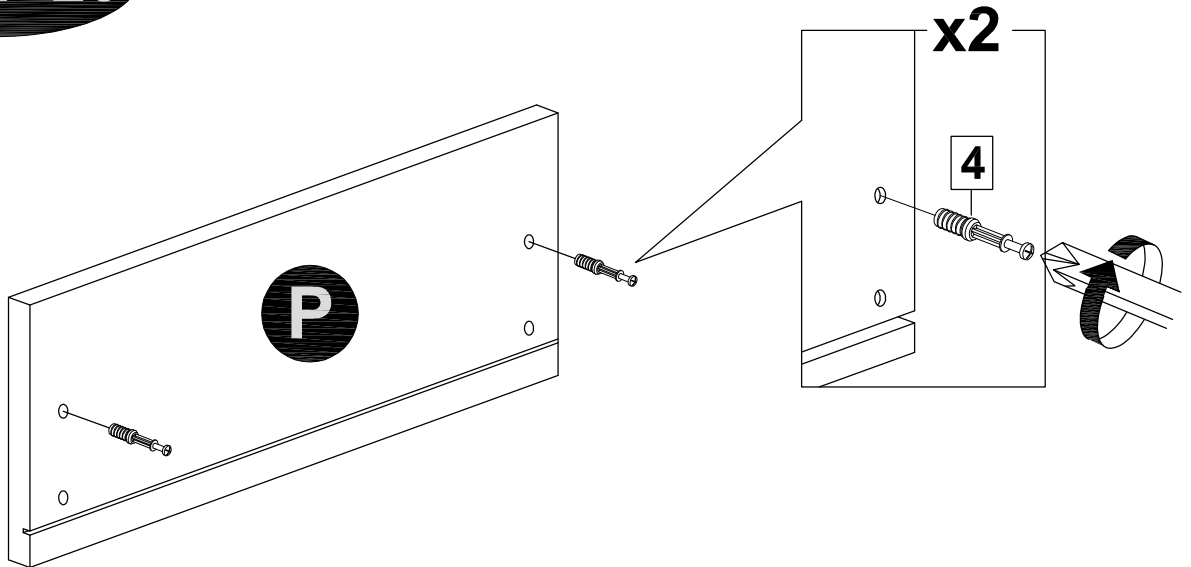




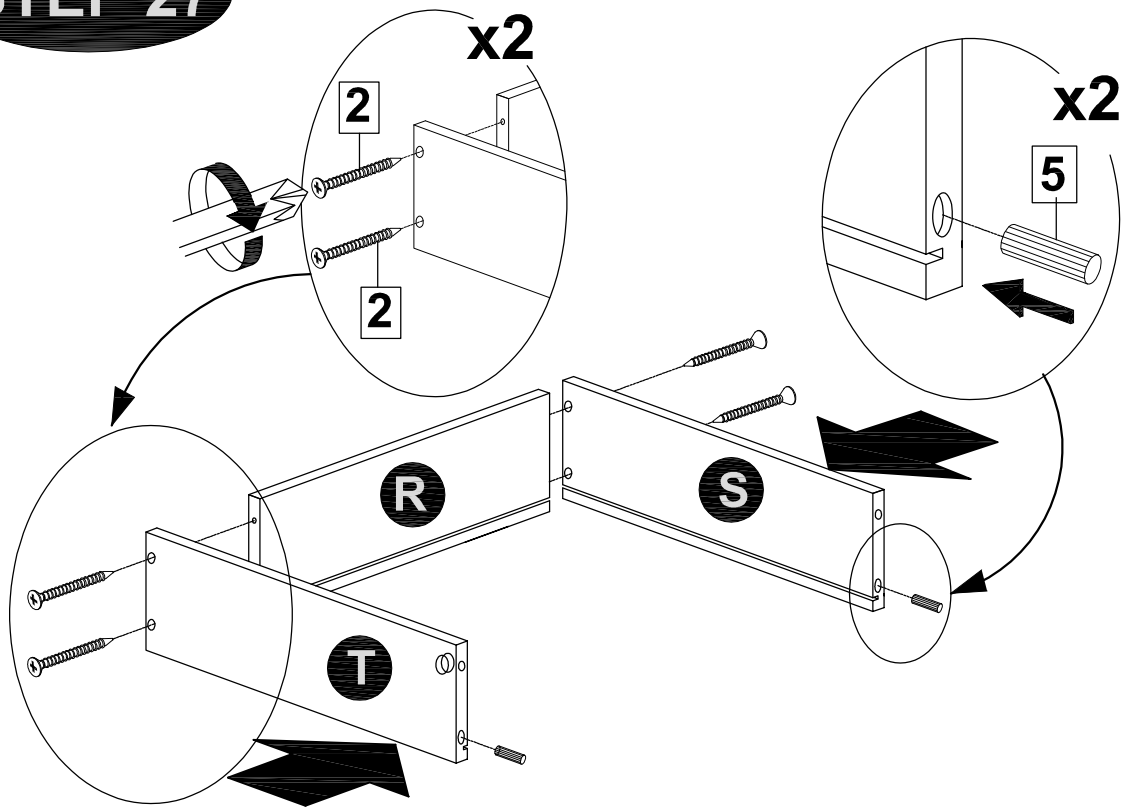
MODEL NAME:

98091

STEP 26



STEP 27

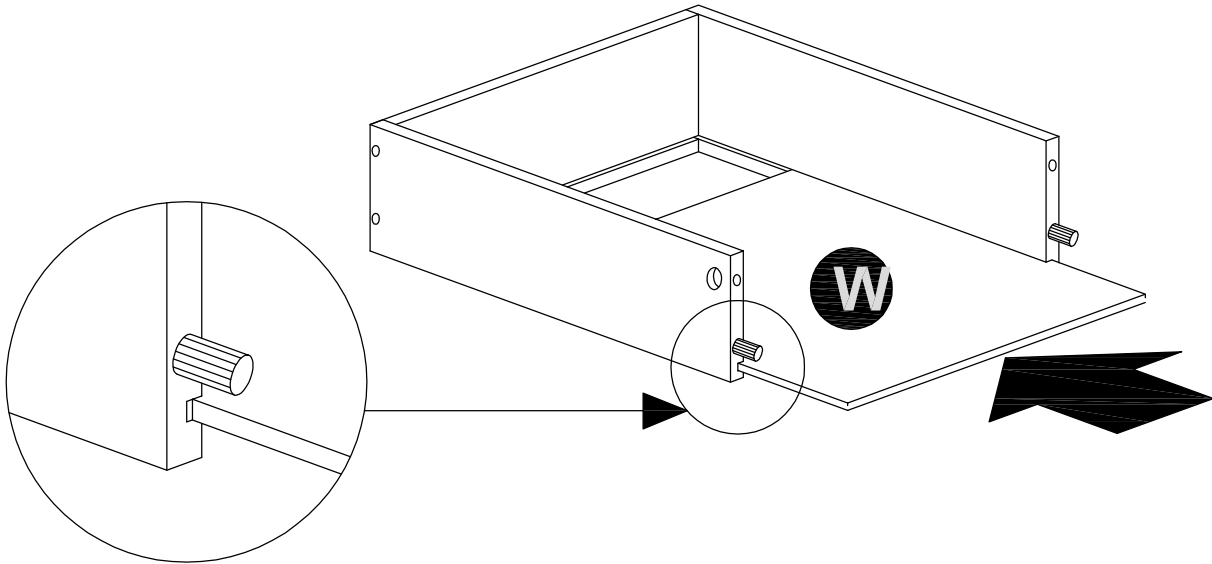


ACME

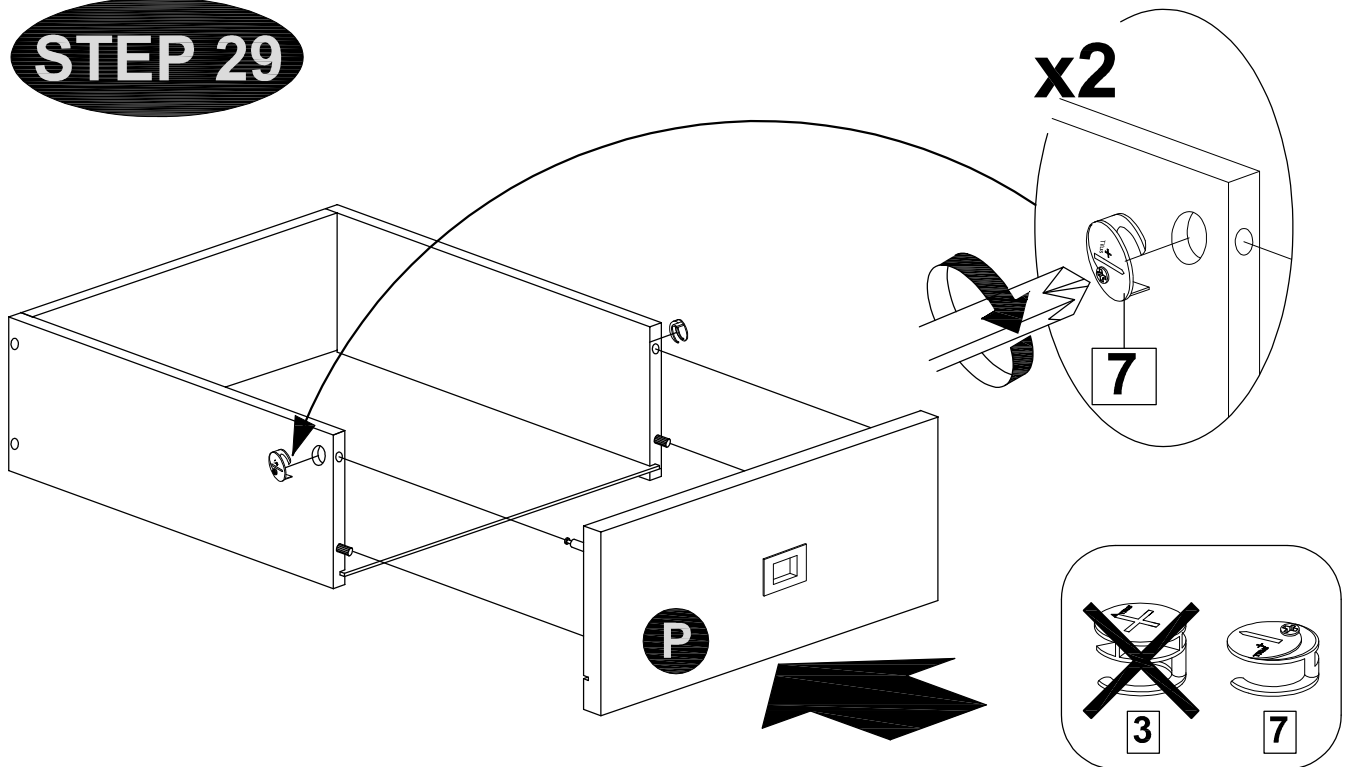
MODEL NAME:

98091

STEP 28



STEP 29

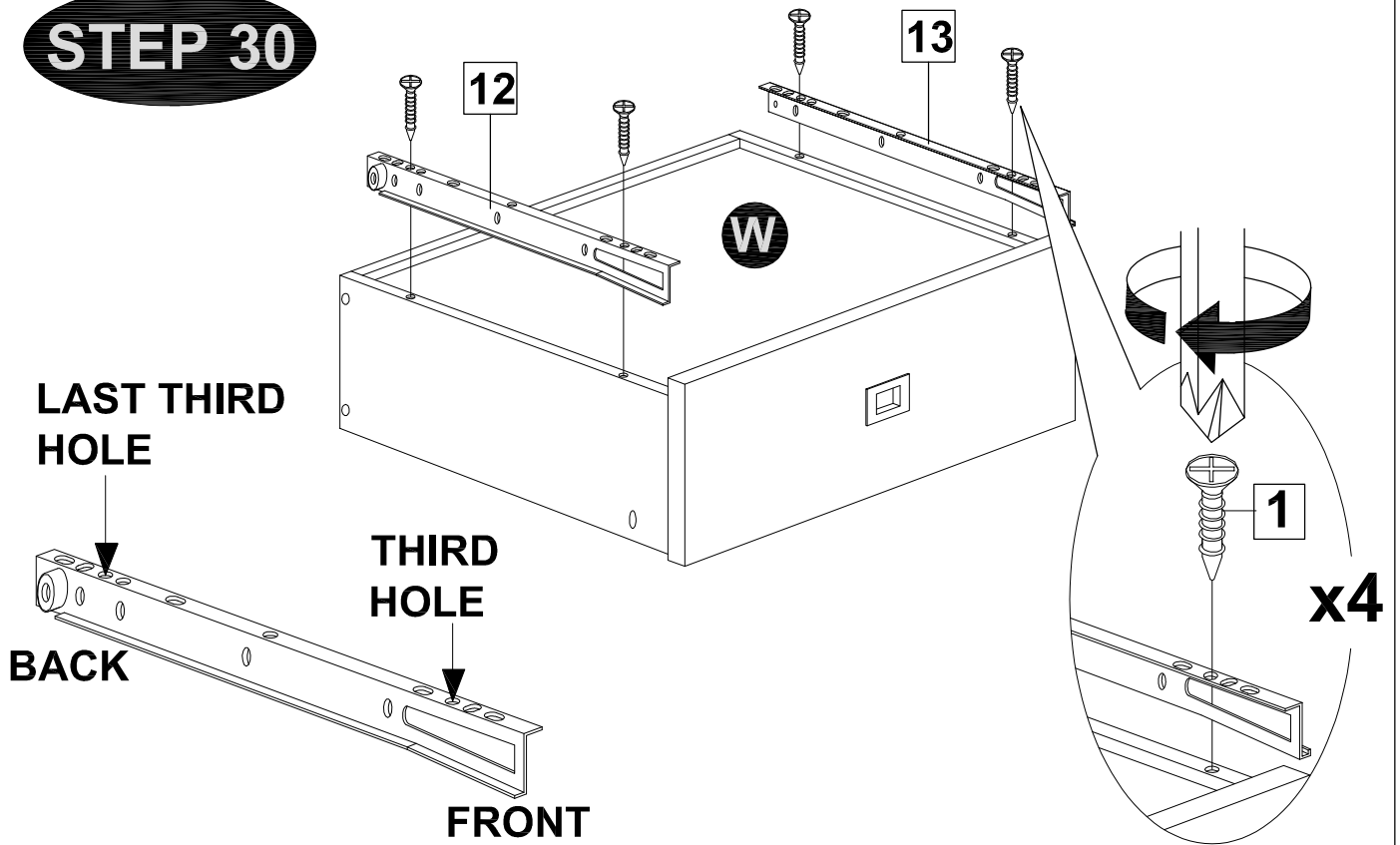


ACME

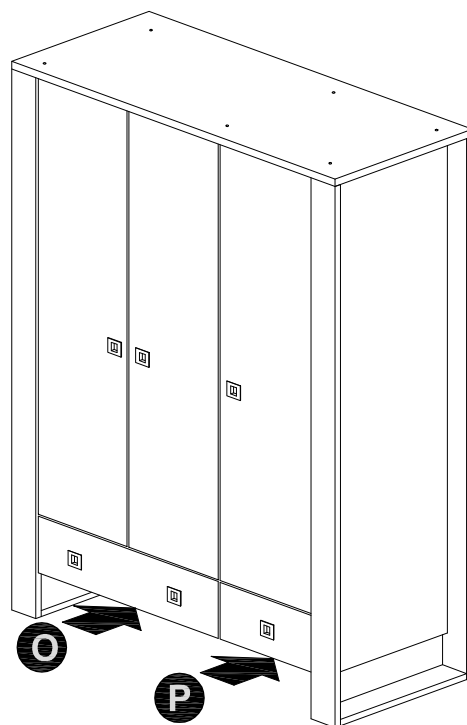
MODEL NAME:

98091

STEP 30



STEP 31

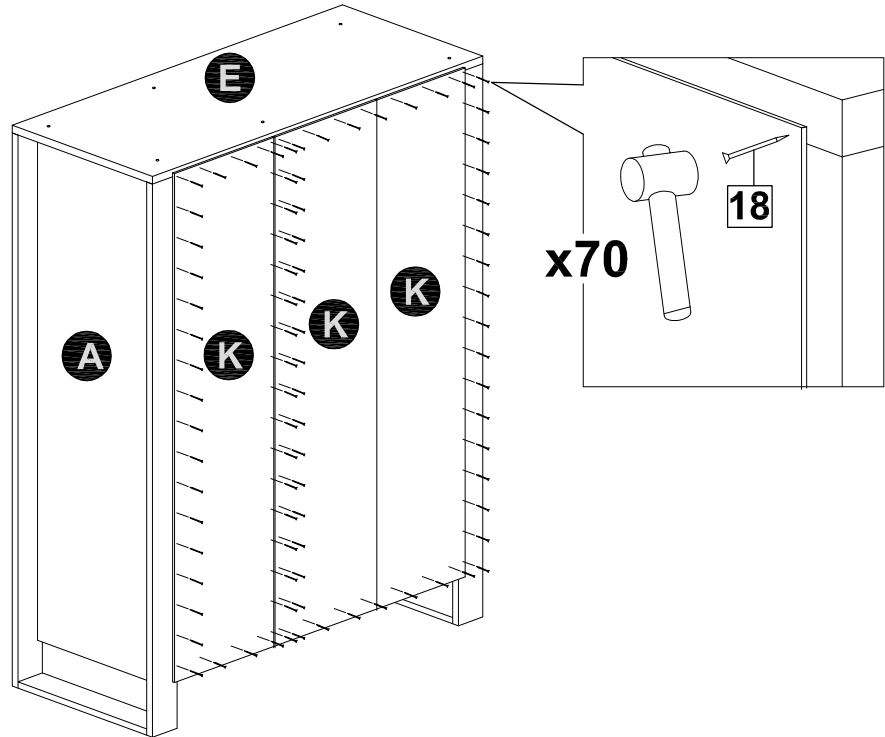


ACME

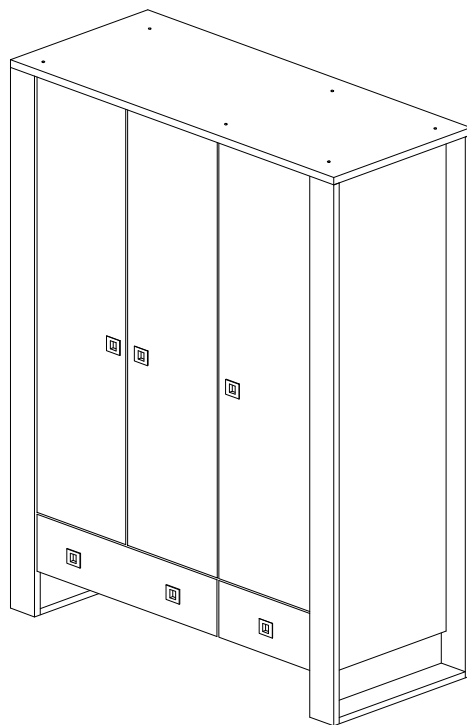
MODEL NAME:

98091

STEP 32



STEP 33



ACME

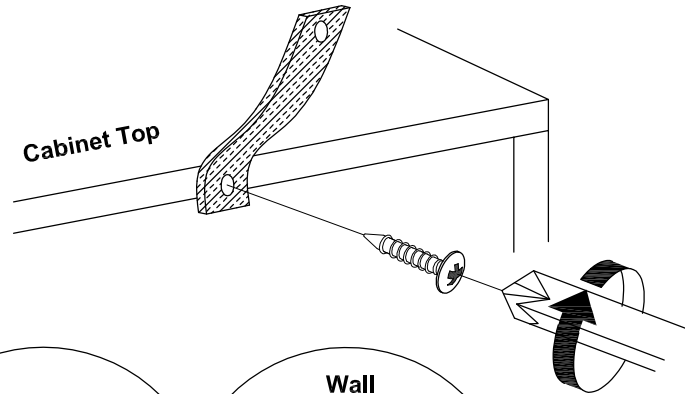
MODEL NAME:

98091

FITTING OF ANTI-TIP BRACKET

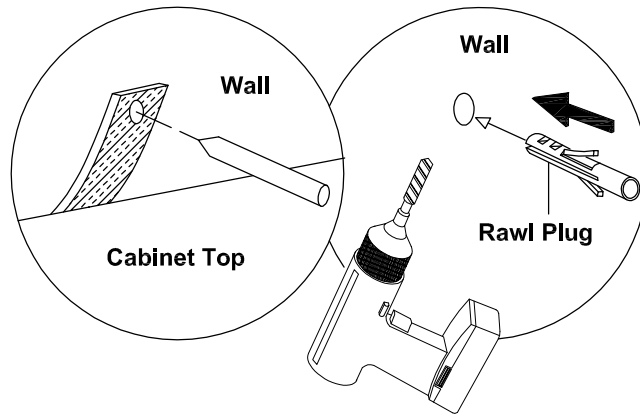
STEP 1 :

Insert screws through bracket into pre-drilled holes in cabinet.



STEP 2 :

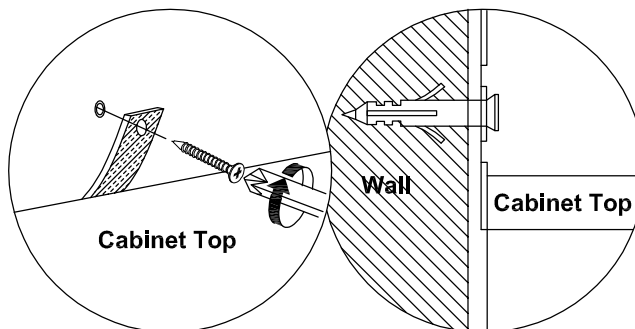
Make a mark on the wall through the bracket.



Drill a hole in the wall and insert the rawl plug.

STEP 3 :

Insert screw through bracket into hole in wall



NOTE : Wall fixings are not supplied with this product as different wall materials require different types of fixing devices (such as Rawl plugs on brick work). You must use fixing devices suitable for the type of wall you intend to mount this product to. Please ensure that the head of any screw used as a diameter greater than the diameter of the mounting hole on the bracket and that the fixing is safe and secure before use.
The screw supplied is to fix the anti-tip strap to the cabinet.

HARDWARE LIST



Anti-Tip Strap - 2pcs



M4 x 16MM - 2pcs