

# ASSEMBLY INSTRUCTIONS

**MODEL : 19564CK  
C.KING BED(5 +5)**

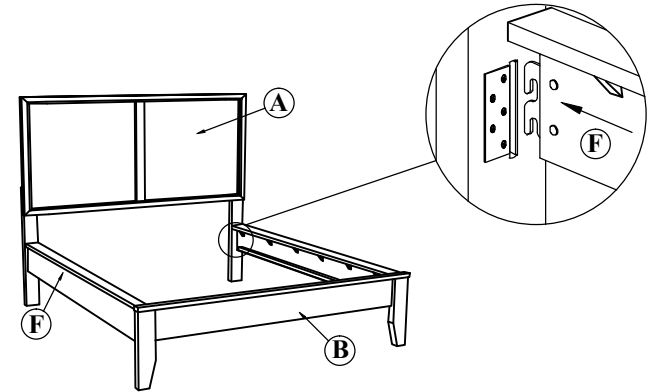
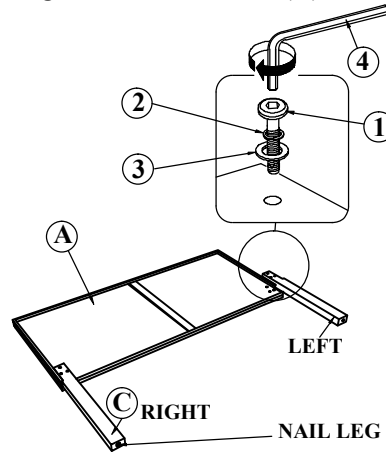
**STEP 1 :** Attach Head Board Leg ( C ) to Head Board ( A ) as shown using JCBC BOLT(1)with Spring Washer (2), Flat washer (3) and securing with ALLEN WRENCH ( 4 )

**STEP 2 :** Hook SIDE RAIL ( F ) TO HEAD BOARD ( A ) closely and push down to fit. repeat step 2 with other end of rail to hook onto FOOTBOARD ( B ).

**(BOX 1)**

BOX OF HEADBOARD

NO	ITEM	QTY
A	HEADBOARD	1 PC
B	FOOTBOARD	1 PC
C	HB LEG L&R	2 PCS
D	BED SLAT	5 PCS
E	BED SLAT SUPPORT	5 PCS



**(BOX 2)**

BOX OF SIDE RAIL

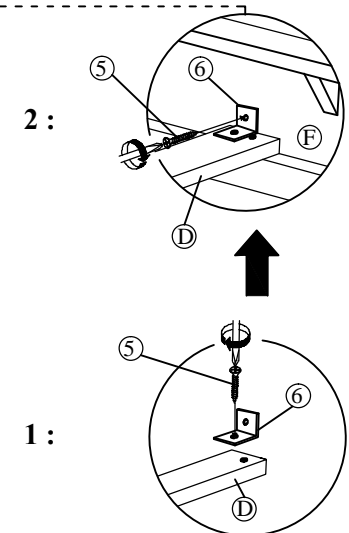
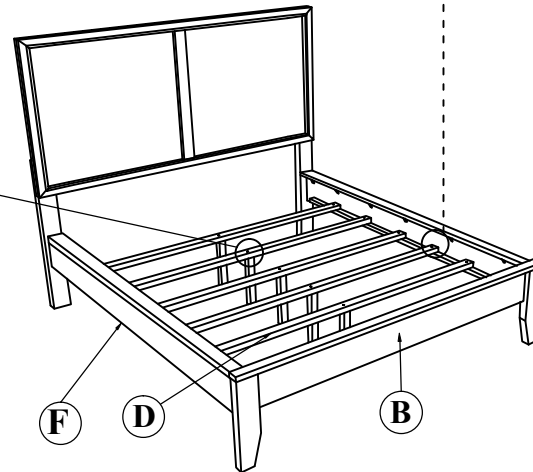
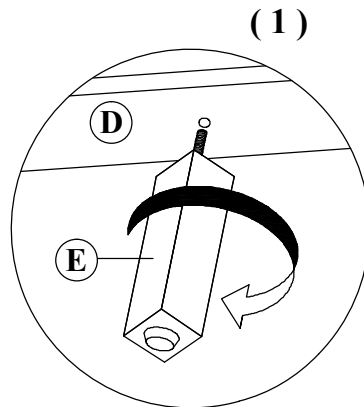
NO	ITEM	QTY
F	SIDE RAIL	2 PCS

Step 3: Fix the Bed Slat Support ( E ), with adjuster to Bed Slat ( D ).Lastly, tighten the Bed Slat ( D ) with L Bracket ( 6 ) and tighten with Flat Head Screw ( 5 ) as shown loosen and tighten the adjuster for stability of bed.

(NOTE: THE SETUP MUST DONE AT THE DECIDED LOCATION FOR THE BED TO OBTAIN PERFECT STABILITY)

HARDWARE LIST

NO	ITEM	QTY
1	JCBC BOLT M6 x 30MM BLK	6 PCS
2	SPRING WASHER 1/4" RBW	6 PCS
3	FLAT WASHER 1/4" ID x 13mm QD BLK	6 PCS
4	ALLEN KEY m4 x 65mm BLK	1 PC



**(BOX 2)**

HARDWARE LIST

NO	ITEM	QTY
5	PAN HEAD CHIPBOARD SCREW m3.5 x 16mm RBW	20 PCS
6	L-BRACKET	10 PCS

NOTE : MUST TIGHTEN SCREWS PERIODCALLY WITH USE SCREW WILL BECOME LOOSE CHECK TIGHTNESS OF ALL SCREW EVERY 6-8 WEEKS.