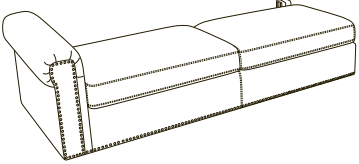
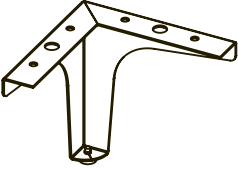
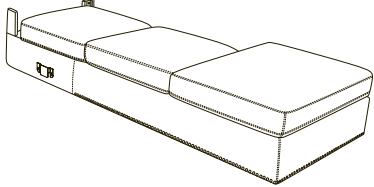
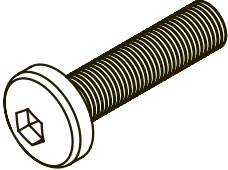
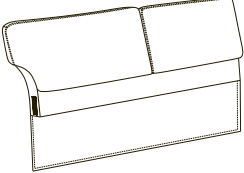

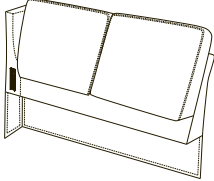
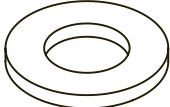
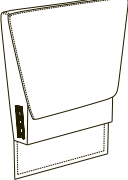
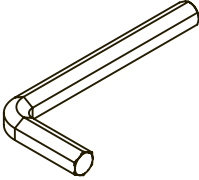


# ASSEMBLY INSTRUCTIONS

ITEM NO. : 52755

## Part List

A  1PC	F  9PCS
B  1PC	G  18PCS
C  1PC	H  18PCS
D  1PC	I  18PCS
E  1PC	J  1PC

