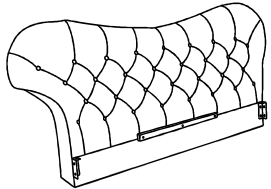
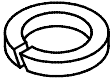
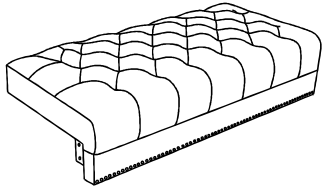
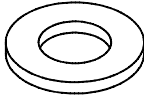
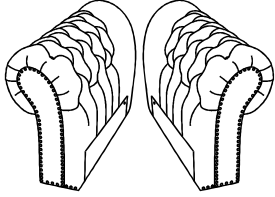
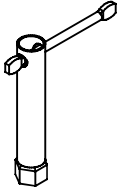
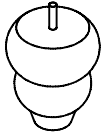
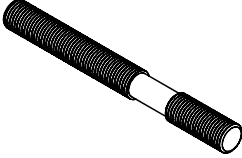
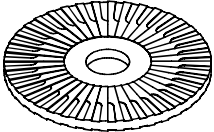
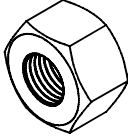
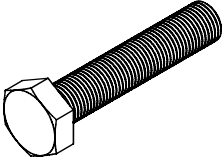
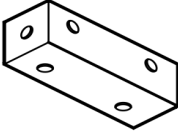


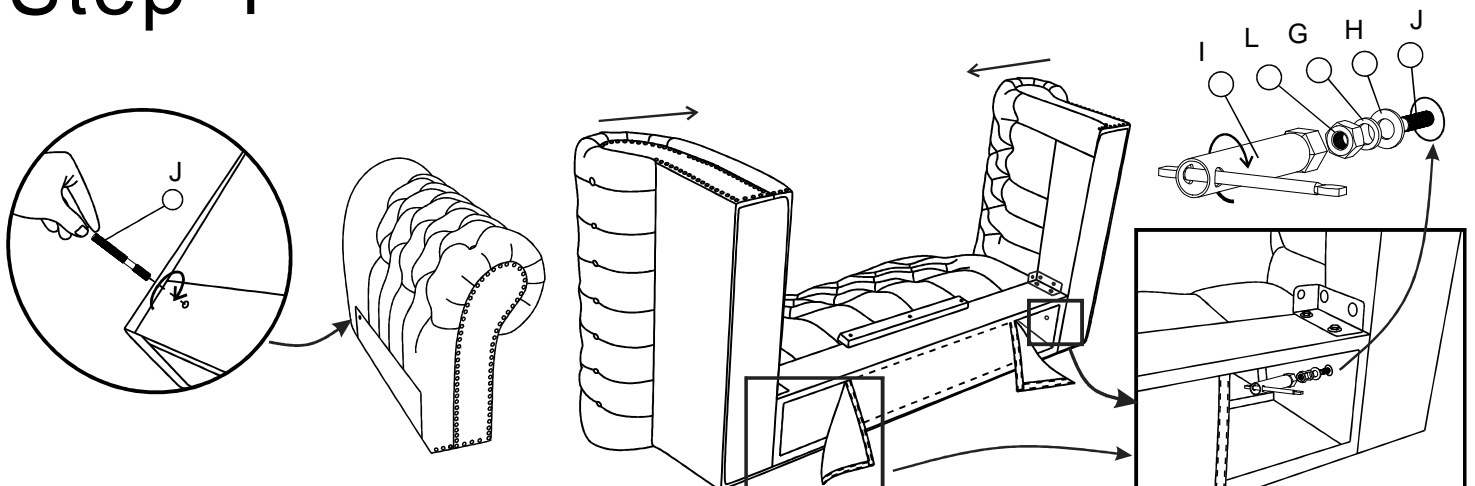
ASSEMBLY INSTRUCTIONS

ITEM NO.: 53405 BASE /53406 ARM
53407 BASE/53408 ARM

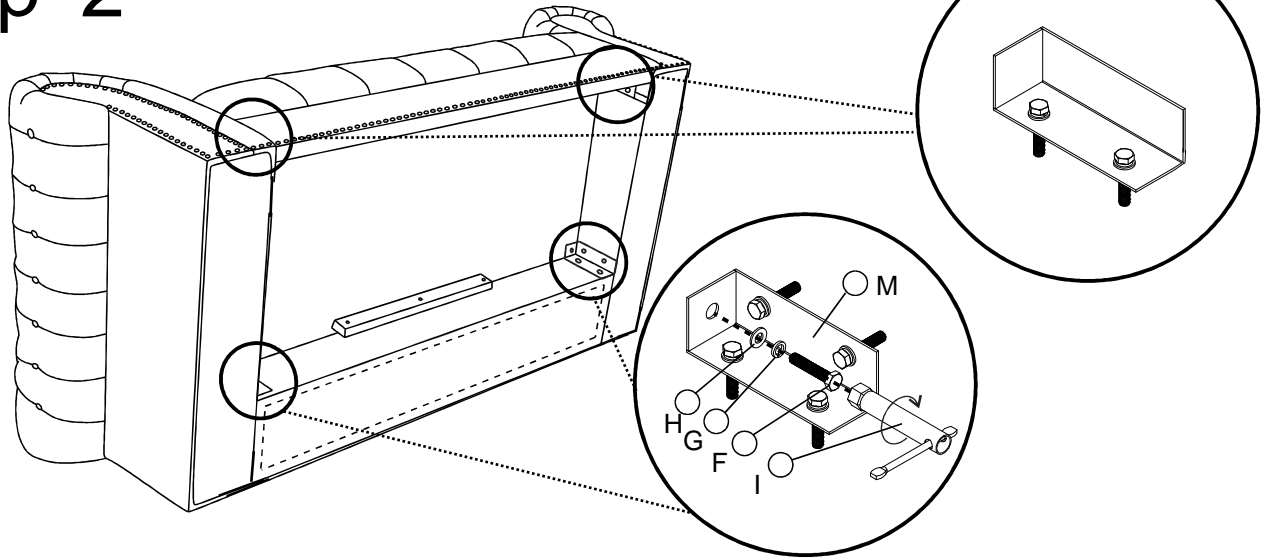
Part List

A		1 PC	G		16 PCS
B		1 PC	H		16 PCS
C		2 PCS	I		1 PC
D		4 PCS	J		2 PCS
E		4 PCS	L		2 PCS
F		14 PCS	M		2 PCS

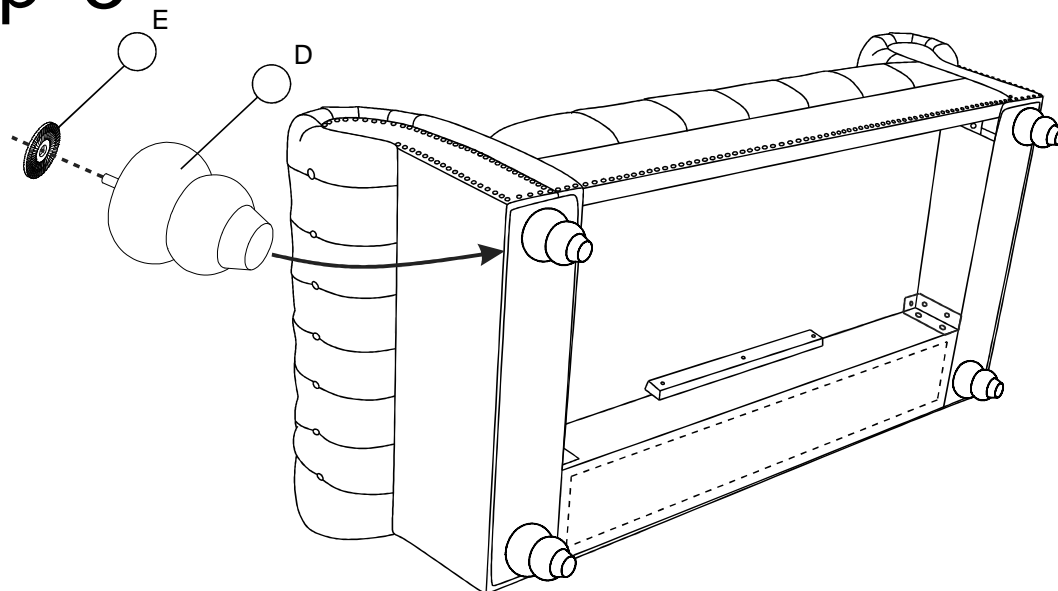
Step 1



Step 2



Step 3



Step 4

