

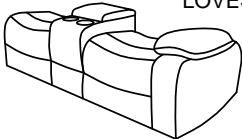
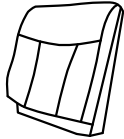

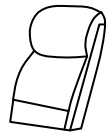

ASSEMBLY INSTRUCTON FOR ACME FURNITURE

MODEL#54965RLOV

Thank you for purchasing the quality product. Be sure to check all packing material carefully for small parts which may have come loose inside the carton during shipment. Separate, identify and count all parts and metal hardware. Compare with all parts list to be sure all parts are present. If any part(s) are missing or damaged, please contact your local furniture dealer. For efficient and speedy service, please indicate the model number and code letter of part(s) needed.

*** Do not fully tighten screws until fully assembled***

Parts List

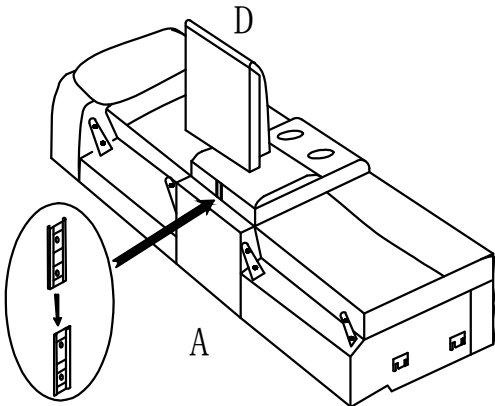
A		LOVESEAT BASE	1pc	B		LEFT BACK	1pc
C		RIGHT BACK	1pc	D		MIDDLE BACK	1pc
E		RIGHT EAR	1pc				

Attention:

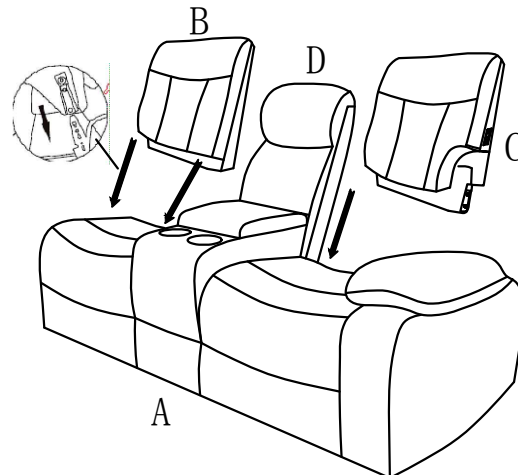
***Some number parts listed on the instruction sheet may not be in parts bag as they may already be assembled. Carefully check parts and packing materials prior to ordering replacements.

How to assemble:

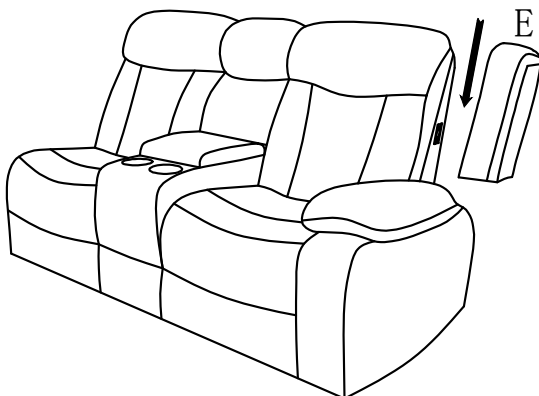
STEP 1:ALIGN MIDDLE BACK(D) TO LOVESEAT BASE



STEP 2:ALIGN RIGHT BACK(C) AND LEFT BACK(B) TO LOVESEAT BASE



STEP 3:ALIGN RIGHT EAR(E) TO LOVESEAT BASE



STEP 4:COMPLETED

