



# ASSEMBLY INSTRUCTIONS

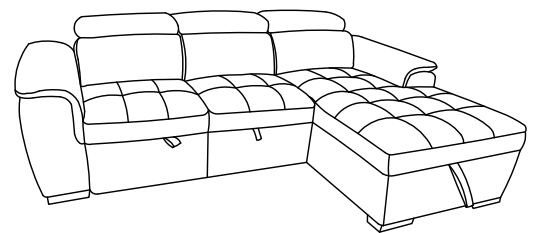
ITEM NO:55535LOV / 55536CHA

Thank you for purchasing the quality product. Be sure to check all packing material carefully for small parts which may have come loose inside the carton during shipment. Separate, identify and count all parts and metal hardware. Compare with all parts list to be sure all parts are present. If any part(s) are missing or damaged, please contact your local furniture dealer. For efficient and speedy service, please indicate the model number and code letter of part(s) needed.

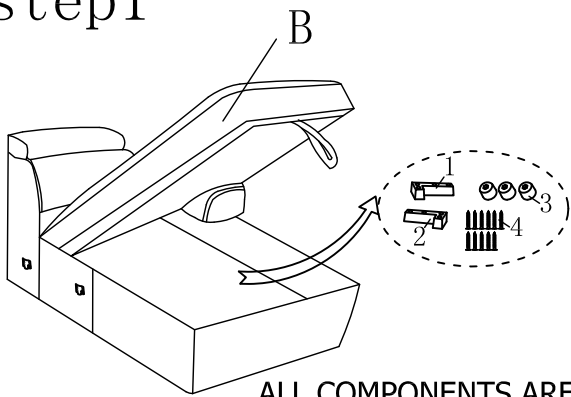
\*\*\*Do not fully tighten screws until fully assembled\*\*\*

COMPONENT PARTS		Qty
A	 LOVE	1pc
B	 CHAISE	1pc

HARDWARE LIST			
1		Leg(205*110*50mm)	1pc
2		Leg(205*110*50mm)	1pc
3		Leg(ø50*50mm)	3pcs
4		Screw(M5*50mm)	11pcs

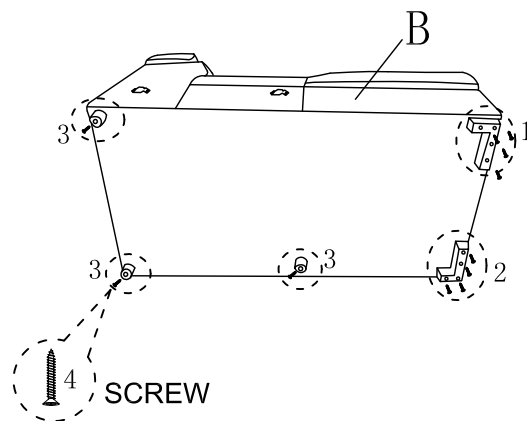


step1

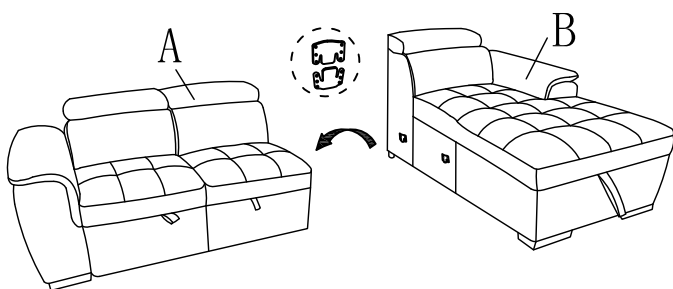


ALL COMPONENTS ARE INCLUDED UNDER THE SOFA

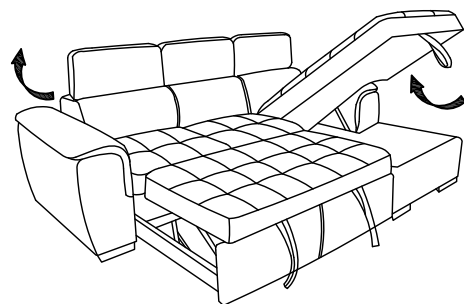
step2



step3



step4



MADE IN CHINA