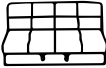





ASSEMBLY INSTRUCTIONS

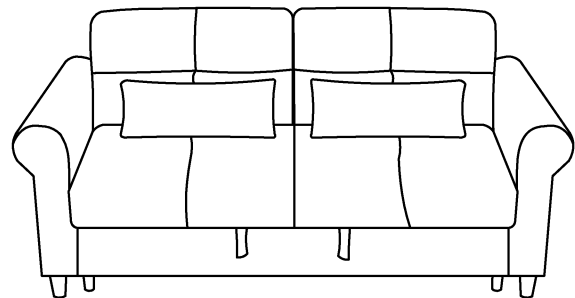
MODEL:#55565

Thank you for purchasing the quality product. Be sure to check all packing material carefully for small parts which may have come loose inside the carton during shipment. Separate, identify and count all parts and metal hardware. Compare with all parts list to be sure all parts are present. If any part(s) are missing or damaged, please contact your local furniture dealer. For efficient and speedy service, please indicate the model number and code letter of part(s) needed.

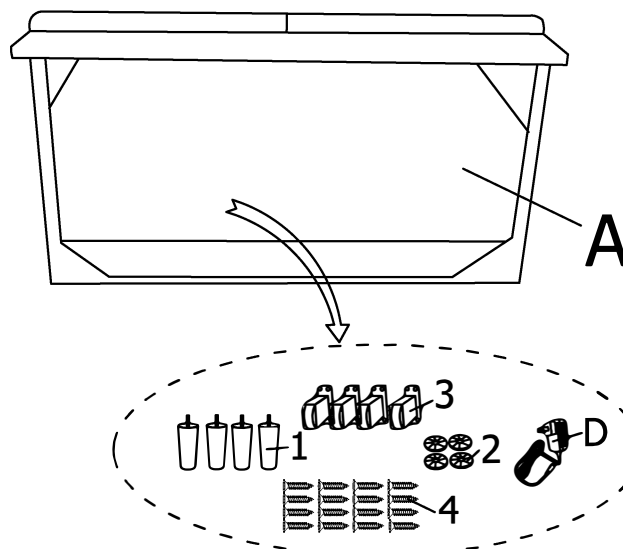
Do not fully tighten screws until fully assembled

COMPONENT PARTS			Qty
A		SOFA	1pc
B		ARM	2pcs
C		Pillow	2pcs
D		USB	1pc

HARDWARE LIST			
1		Leg(ø60*110mm)	4pcs
2		Flat Washer(ø45mm)	4pcs
3		Wheel(110mm)	4pcs
4		Screw(M5*25mm)	16pcs



step1

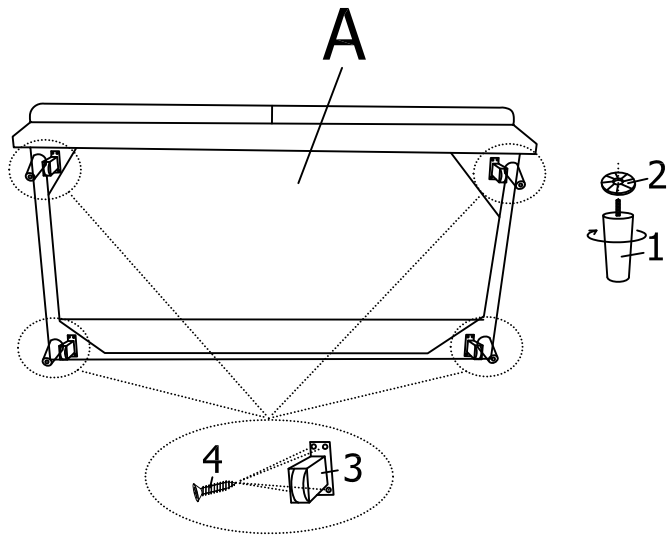


ALL COMPONENTS ARE INCLUDED UNDER THE SOFA

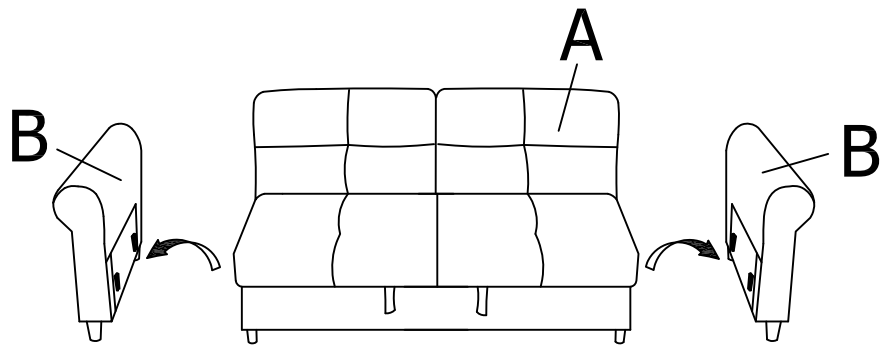
ASSEMBLY INSTRUCTIONS

ITEM NO:55565

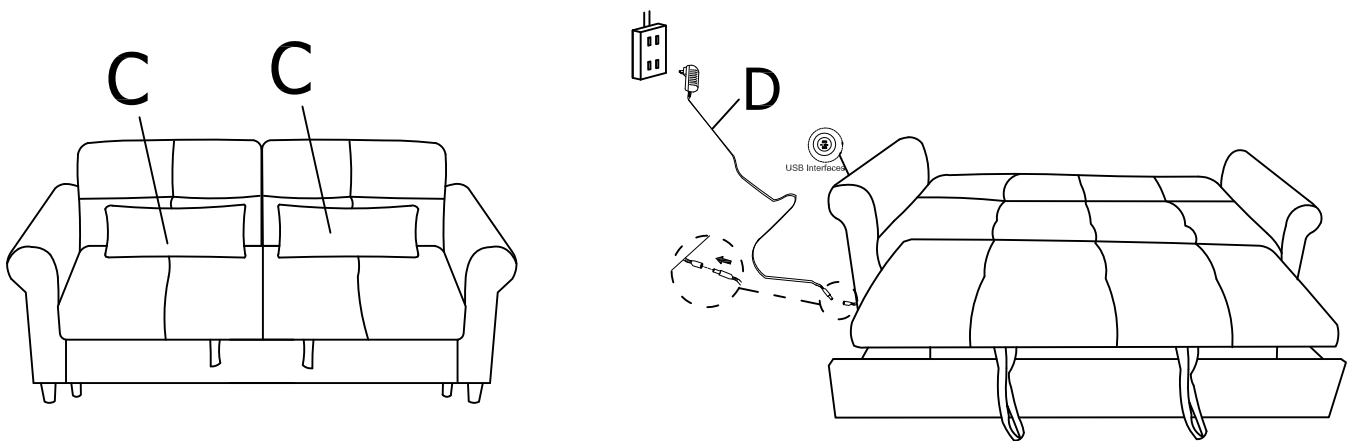
step2



step3



step4



MADE IN CHINA