

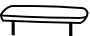









# ACME FURNITURE INDUSTRY INC

ASSEMBLY INSTRUCTIONS 56040SOF/56041CHA

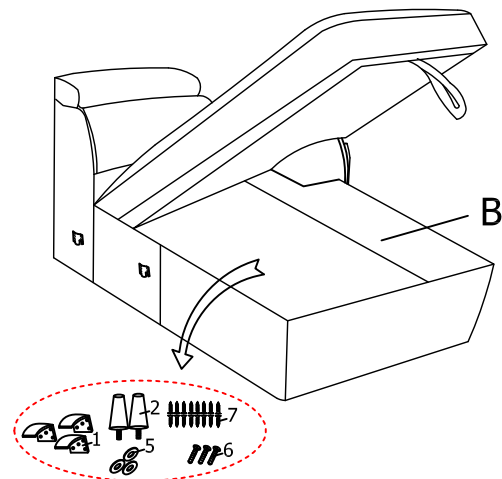
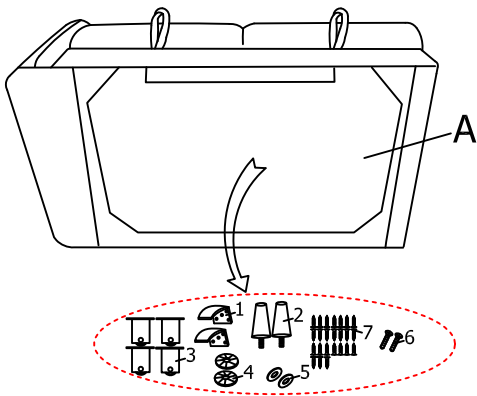
Thank you for purchasing this quality product. Be sure to check all packing materials carefully for small parts which may have come loose inside the carton during shipment. Identify and count all parts and compare with the parts list below.

\*\*Assemble product on a flat, soft surface such as a carpet or cloth to prevent scratching the finish. Read all instruction and study the drawings carefully before starting the assembly process.

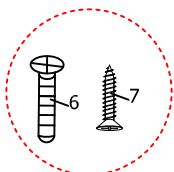
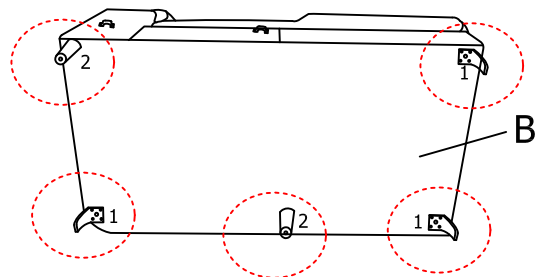
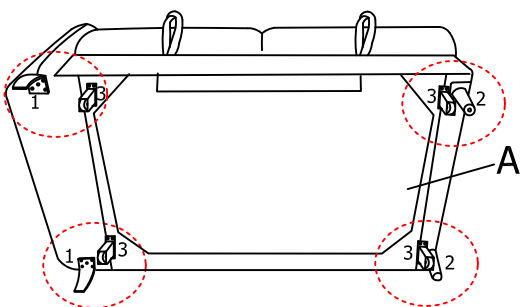
Parts List			Qty
A		Love 2 Seater	1pc
B		Chaise	1pc
C		Headrest	3pcs

HARDWARE LIST			
1		Leg	5pcs
2		Leg	4pcs
3		Wheel	4pcs
4		Flat Washer	4pcs
5		Flat Washer	5pcs
6		Bolt 5/16*1"	5pcs
7		Screw 1/5*1"	36pcs

## STEP 1



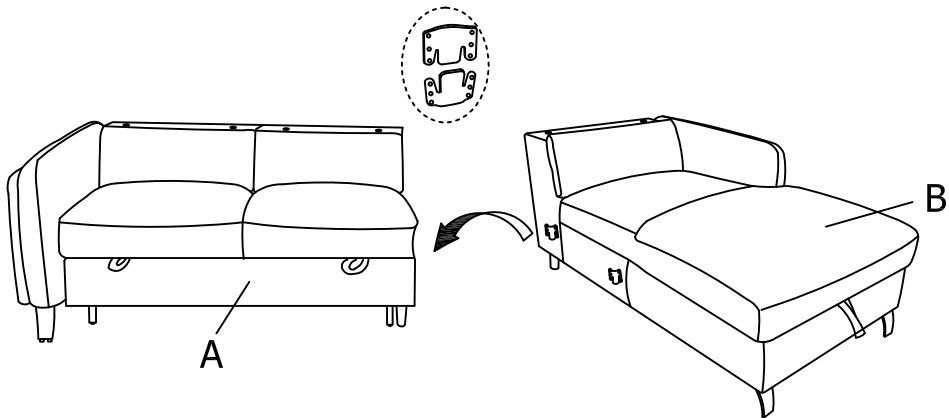
## STEP 2



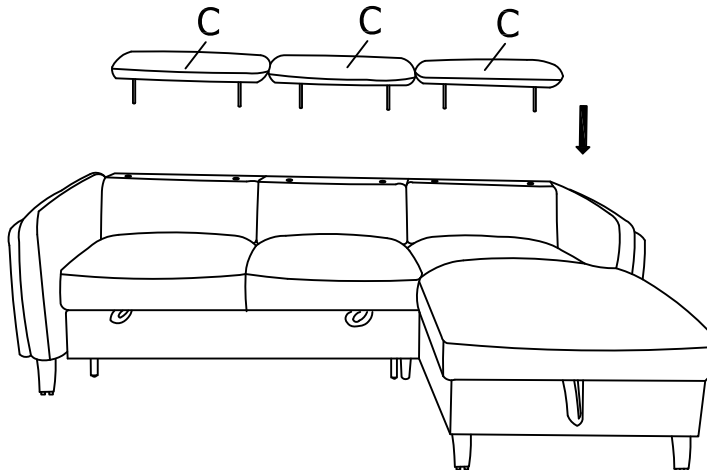
# ACME FURNITURE INDUSTRY INC

ASSEMBLY INSTRUCTIONS 56040SOF/56041CHA

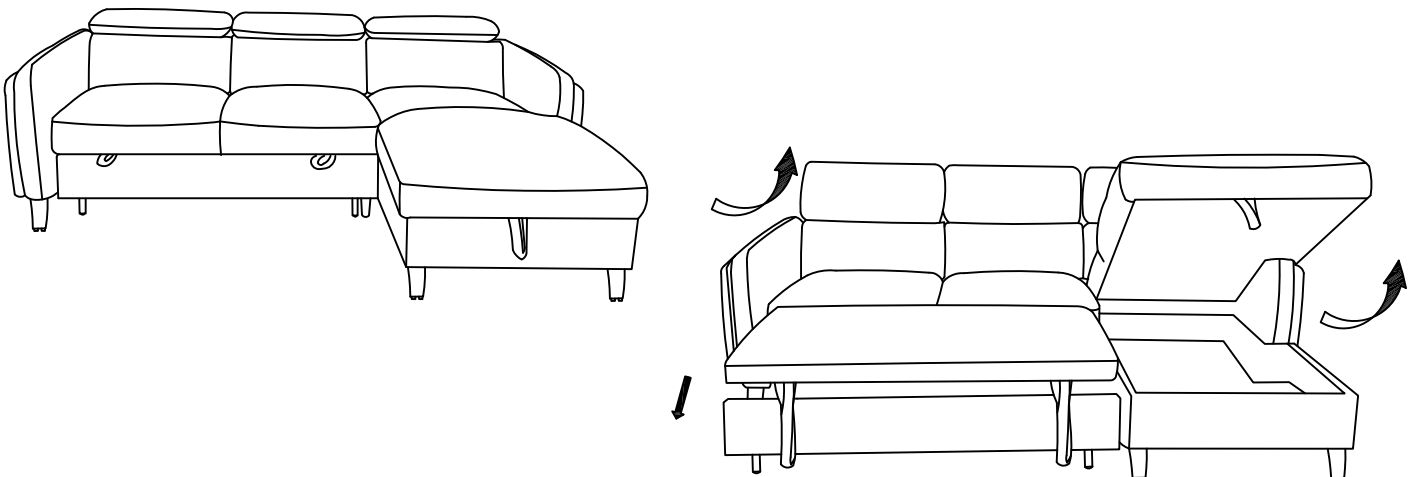
## STEP 3



## STEP 4



## STEP 5



MADE IN CHINA