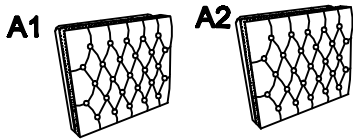


ASSEMBLY INSTRUCTION FOR ACME FURNITURE

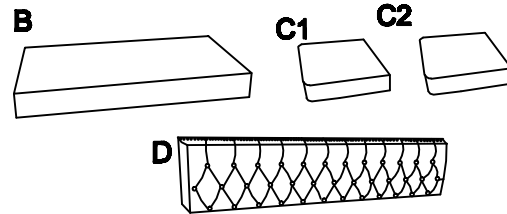
MODEL# 57330/57331/57332/57333/57334/57335

Thank you for purchasing tue quality product. Be sure to check all packing material carefully for small parts which may have come loose inside the carton during shipment. Seperate, identify and count all parts and metal hardware. Compare with all parts list to be sure all parts are present. if any part(s) are missing or damaged, please contact your local furniture dealer .For efficient and speedy service,please indicate the model number and code letter of part(s) needed.

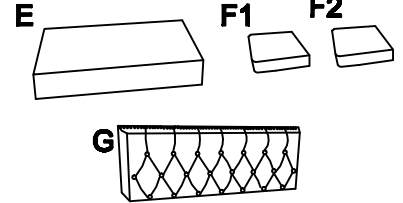
57330 Component parts arm



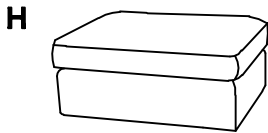
57332 Armless sofa



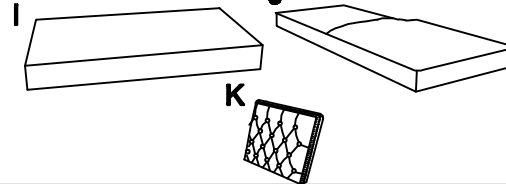
57331 Armless love seat



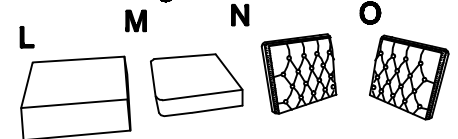
57335 ot toman



57333 Armless chaise

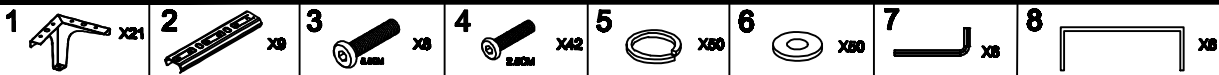


57334 wedge

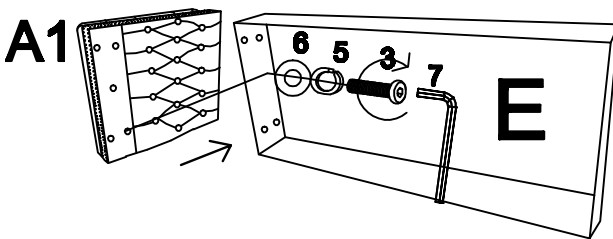


*****DO not fully tighten screws until fully assembled*****

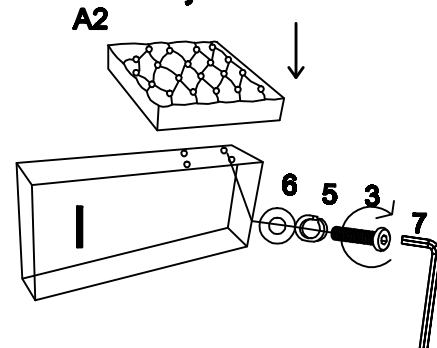
HARDWARE REQUIRED



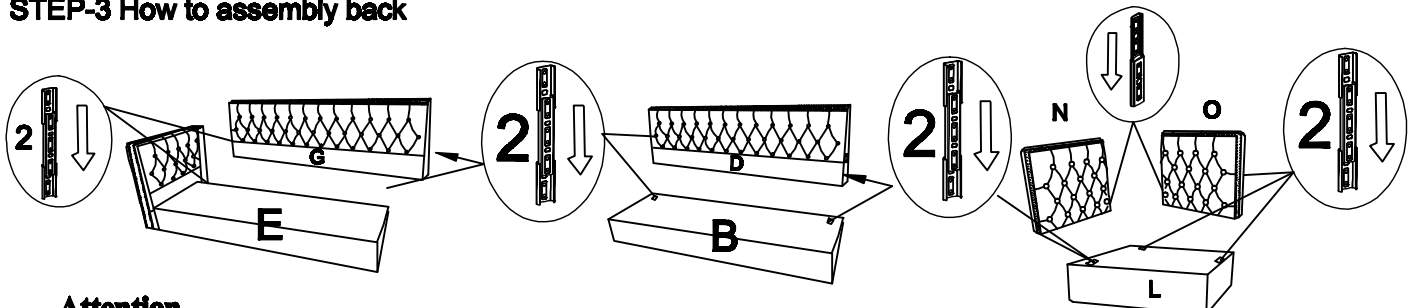
STEP-1 How to assembly arm



STEP-2 How to assembly arm



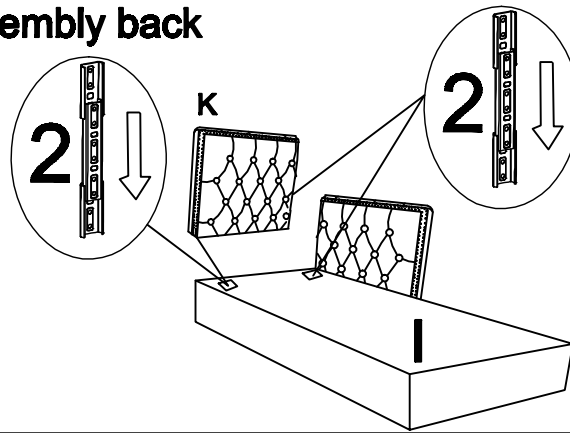
STEP-3 How to assembly back



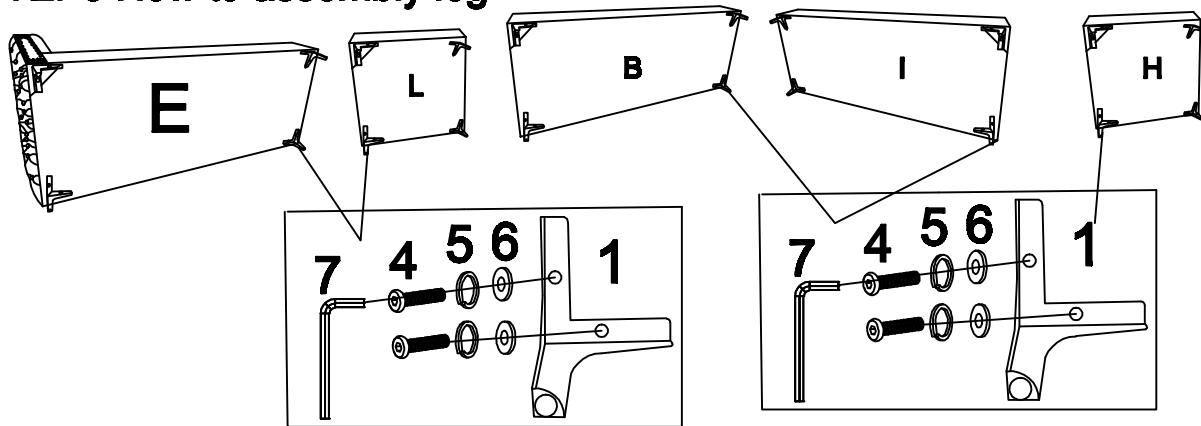
Attention

*** Some number parts listed on the instruction sheet may not be in parts bag as they may already be assembled. Carefully check parts and packing materials prior to ordering replacements.

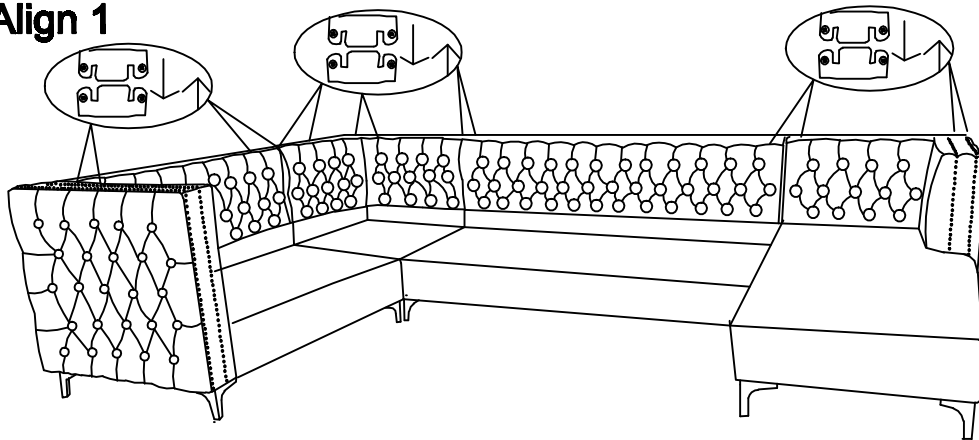
STEP3 How to assembly back



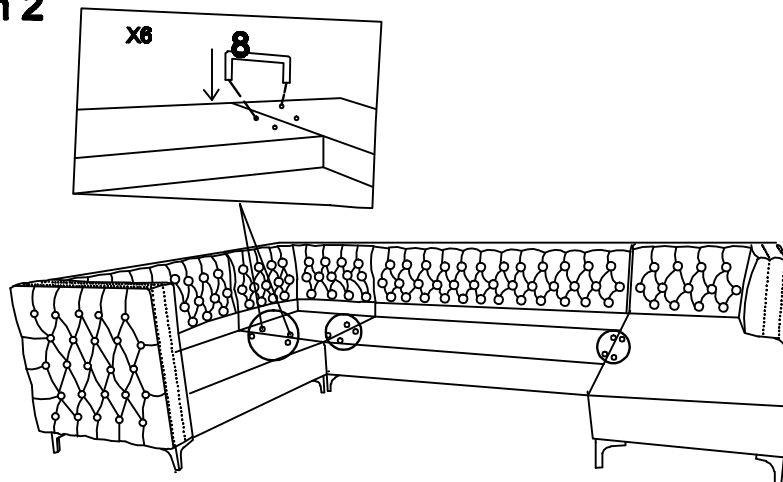
STEP5 How to assembly leg



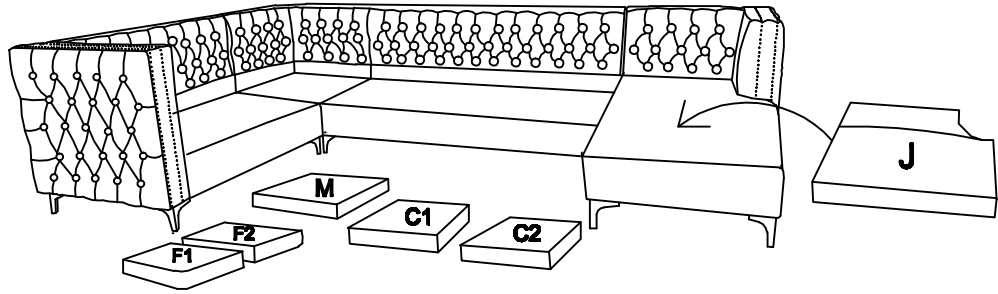
STEP6 How to Align 1



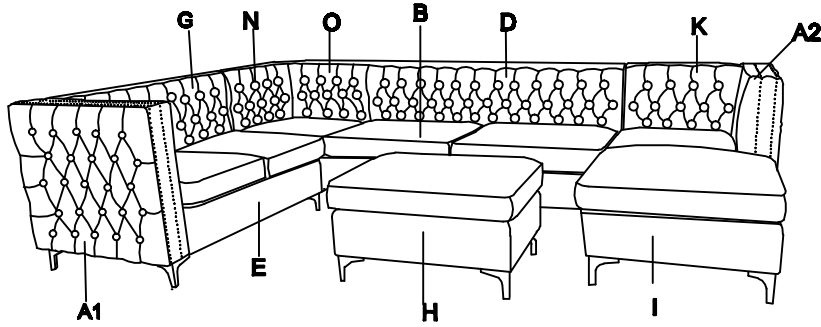
STEP7 How to Align 2



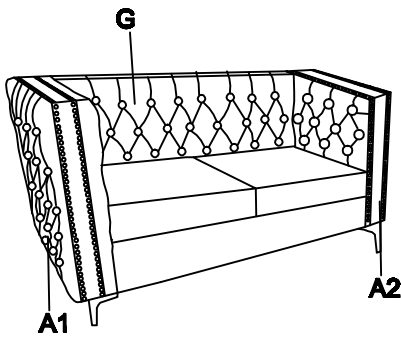
STEP 8



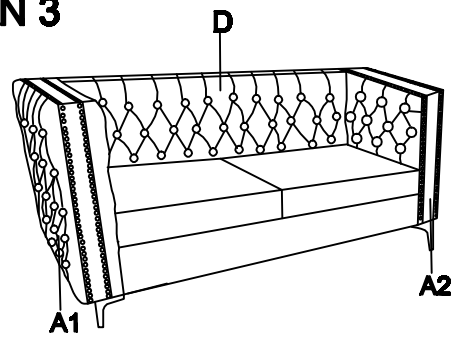
OPTION 1



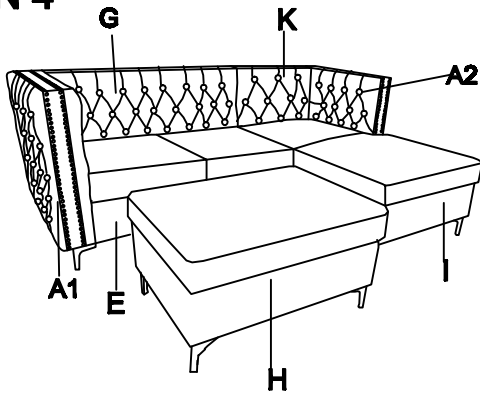
OPTION 2 Loveseat



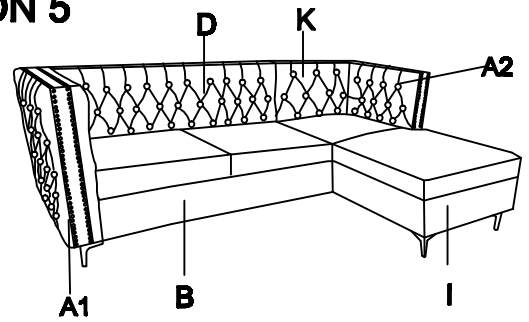
OPTION 3 SOFA



OPTION 4



OPTION 5



OPTION 6

