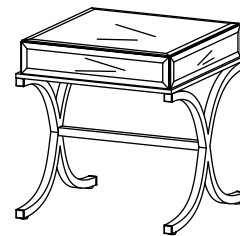
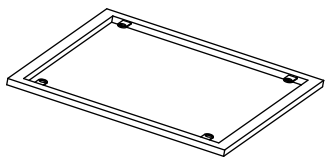
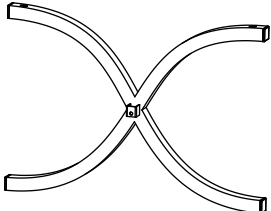
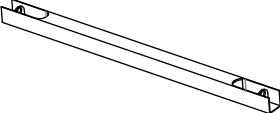
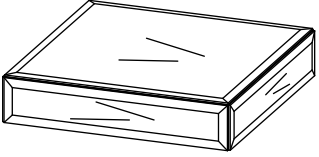
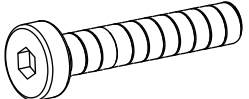
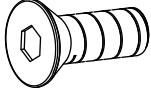

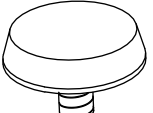
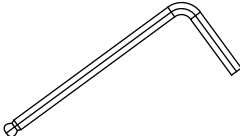


# ITEM NO.81197 END TABLE

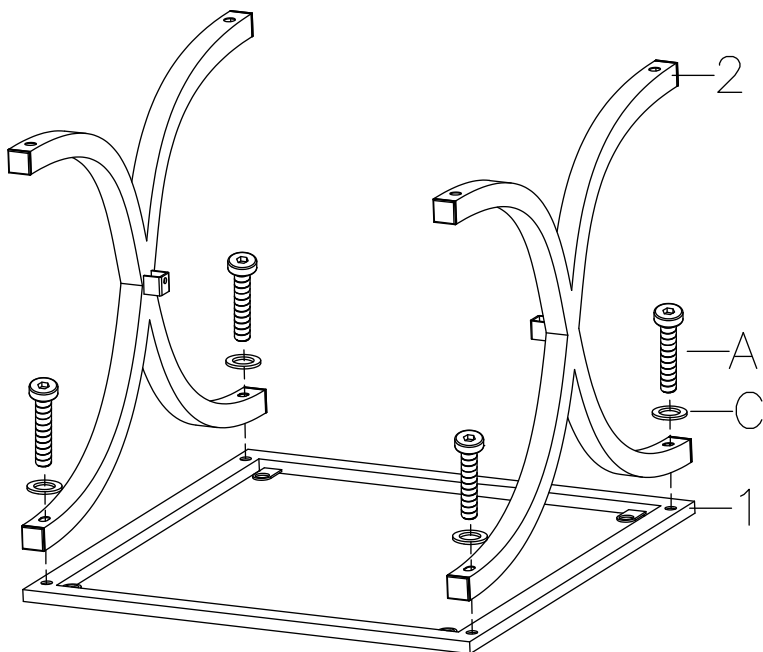


## ASSEMBLY INSTRUCTIONS

1	2	3	4	
				
<b>TOP FRAME</b> 1PC	<b>SIDE PANEL</b> 2PCS	<b>STRETCHER</b> 1PC	<b>MIRRORED TOP</b> 1PC	
A	B	C	D	E
				
<b>BOLT 1/4"x1-1/4"</b> 4PCS	<b>BOLT 1/4"x5/8"</b> 6PCS	<b>FLAT WASHER</b> 4PCS	<b>LEVELER</b> 4PCS	<b>ALLEN KEY</b> 1PC

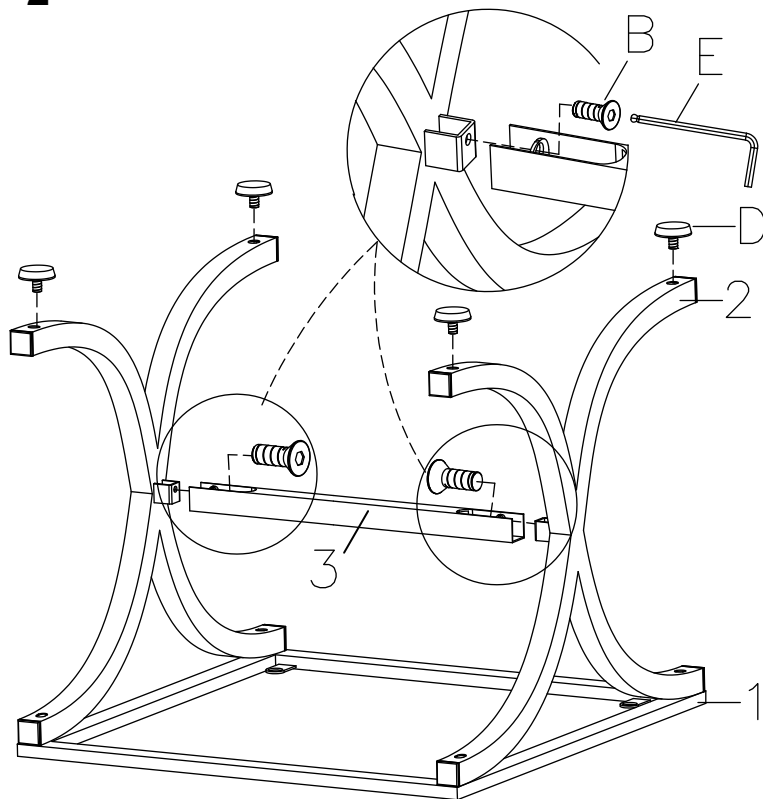
**\*\*\* Do not tighten screws & bolts until the entire unit is completely assembled. \*\*\***

### STEP 1



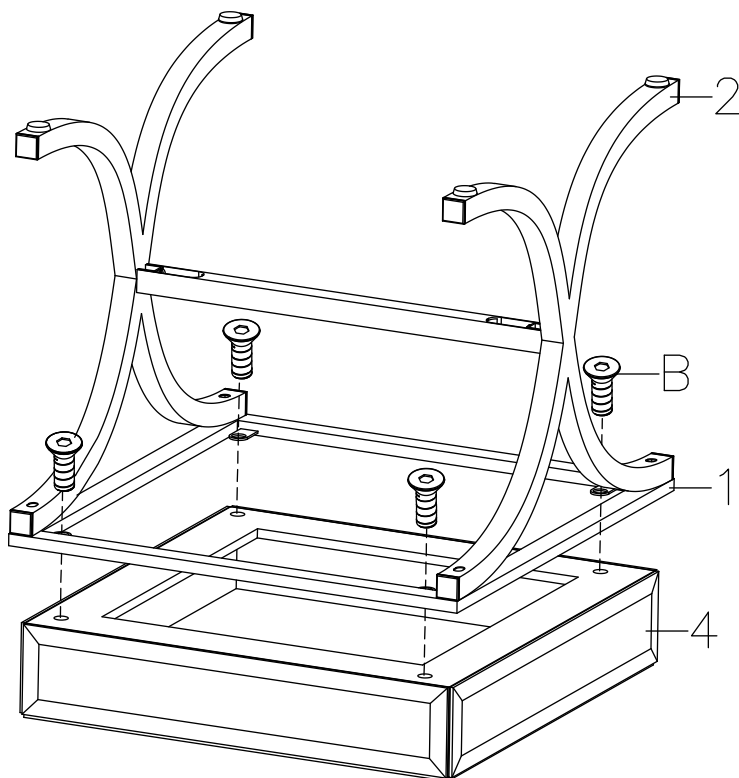
Attach side panel (2) to top frame (1) using bolts (A) and flat washer (C) as shown.

## STEP 2



Attach stretcher (3) to side panel (2) using bolts (B) with wrench (E). Then, attach leveler (D) to the bottom of side panel (2) as shown.

## STEP 3



Attach the assembled parts to mirrored top (4) using bolts (B) again. Tighten all bolts and carefully turn the assembled unit upright.

Your mirrored end table assembly is now complete.

**\*Notice:** Please adjust each leveler to make sure the table sits firmly on the ground.