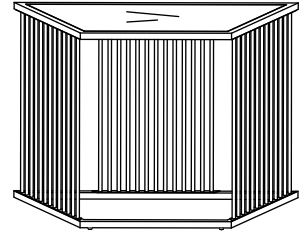
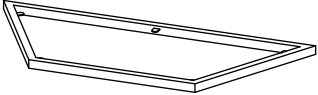
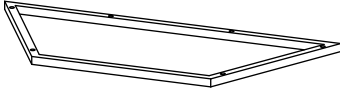
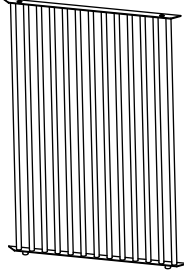

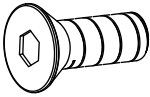
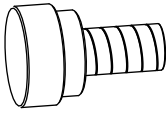

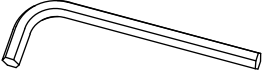


ITEM NO.81244ST/81245GL SOFA TABLE

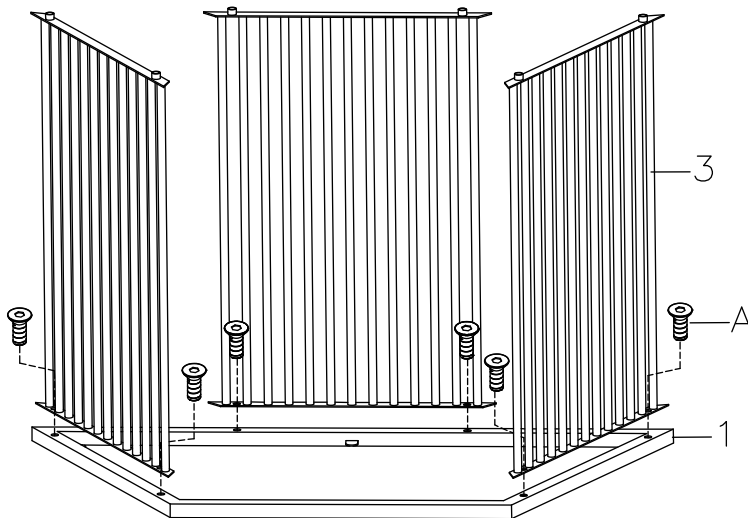


ASSEMBLY INSTRUCTIONS

1	2	3	4
			
TOP FRAME 1PC	BOTTOM FRAME 1PC	SIDE PANEL 3PCS	GLASS TOP 1PC
A	B	C	D
			
BOLT 1/4"x1/2" 12PCS	LEVELER 4PCS	GLASS PAD 5PCS	ALLEN KEY 1PC

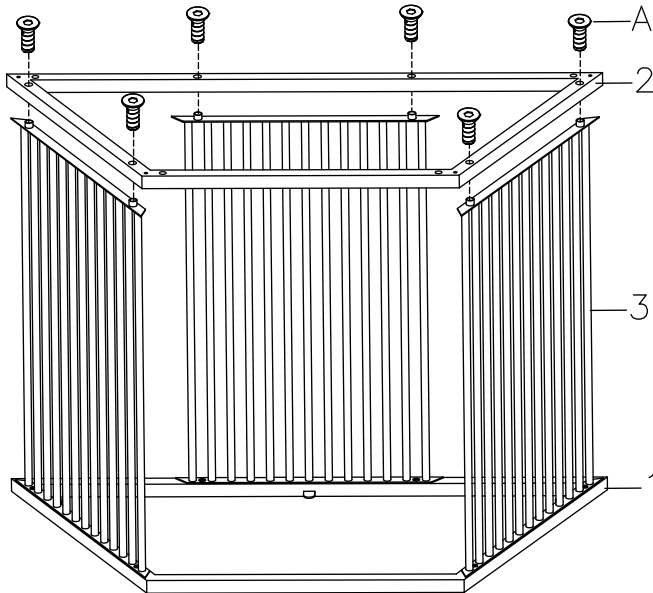
***** Do not tighten screws & bolts until the entire unit is completely assembled. *****

STEP 1



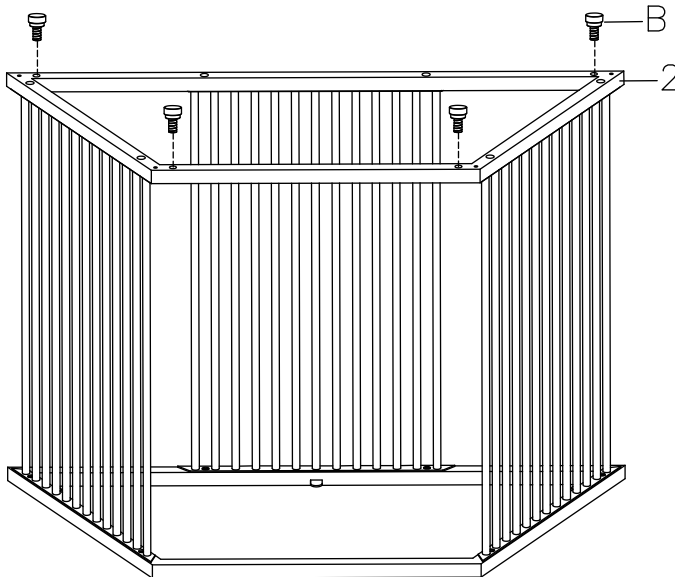
Please make sure the top edge of trapezoid metal sheet on side panel (3) facing inwards while attaching side panel (3) to top frame (1) using bolts (A) as shown.

STEP 2



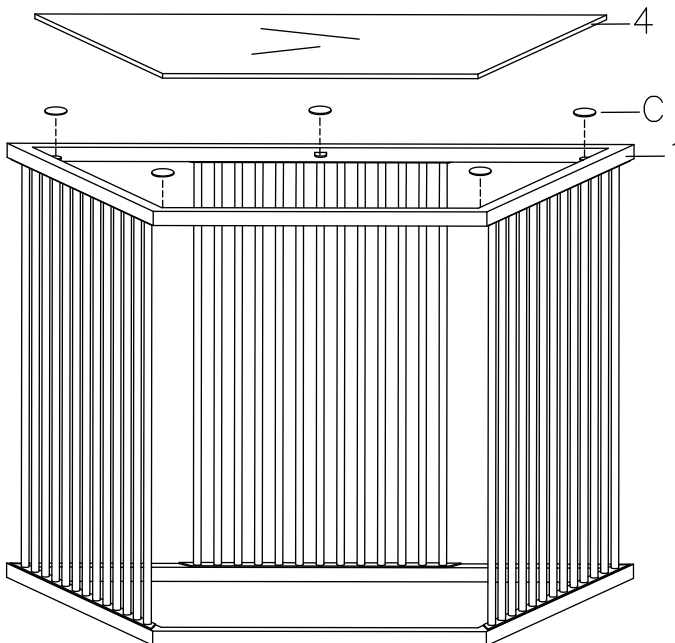
Attach bottom frame (2) to the side panel (3) using bolts (A) again.

STEP 3



Attach leveler (B) to bottom frame (2) as shown.

STEP 4



Turn the assembled unit upright. Then, put glass pad (4) onto the brackets on top frame (1) and carefully attach glass top (4) to top frame (1) as shown.

Your sofa table assembly is now complete.