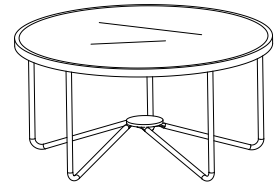


ITEM NO. 81835 - WHITE (GLASS) /COPPER


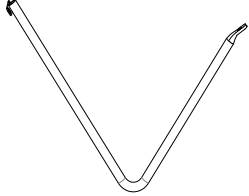
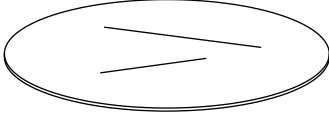
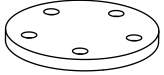
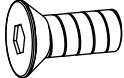
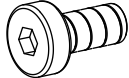


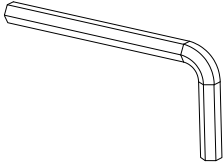
81840 - BROWN (MIRROR)/COPPER

83840 - BLACK(GLASS)/CHROME



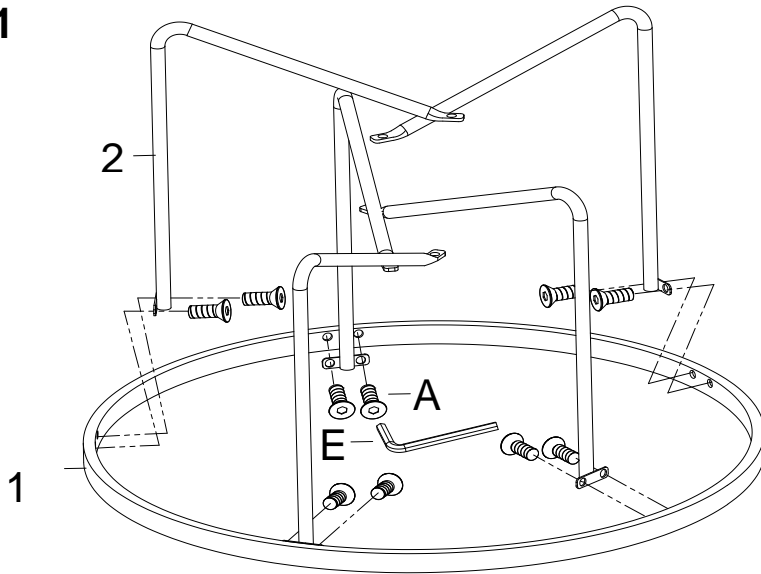
COFFEE TABLE

ASSEMBLY INSTRUCTIONS

1	2	3	4
 <p>TOP FRAME 1PC</p>	 <p>LEG 5PCS</p>	 <p>GLASS/MIRROR TOP 1PC</p>	 <p>ROUND METAL 1PC</p>
A	B	C	
 <p>BOLT 1/4"X1/2" 10PCS</p>	 <p>BOLT 1/4"X1/2" 5PCS</p>	 <p>CAP 5PCS</p>	
D	E		
 <p>GLASS PAD 5PCS</p>	 <p>ALLEN KEY 1PC</p>		

***** Do not tighten screws & bolts until the entire unit is completely assembled. *****

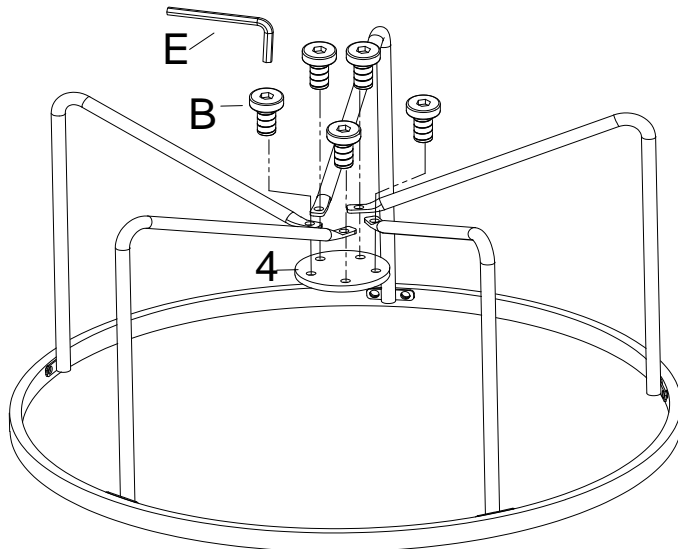
STEP 1



*Please put all parts on a soft surface to prevent scratches.

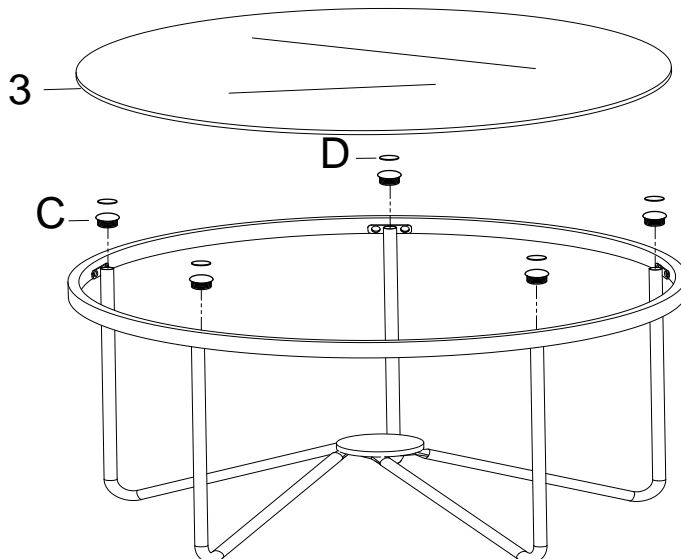
Attach leg (2) to top frame (1) by using bolt (A) as shown.

STEP 2



Attach round metal (4) to leg (2) by using bolt (B) as shown.

STEP 3



Turn the unit upside down and insert cap (C) as shown. Put glass pad (D) onto leg, then place glass/mirror top (3) on the glass pad (D).

Your coffee table is now complete.