

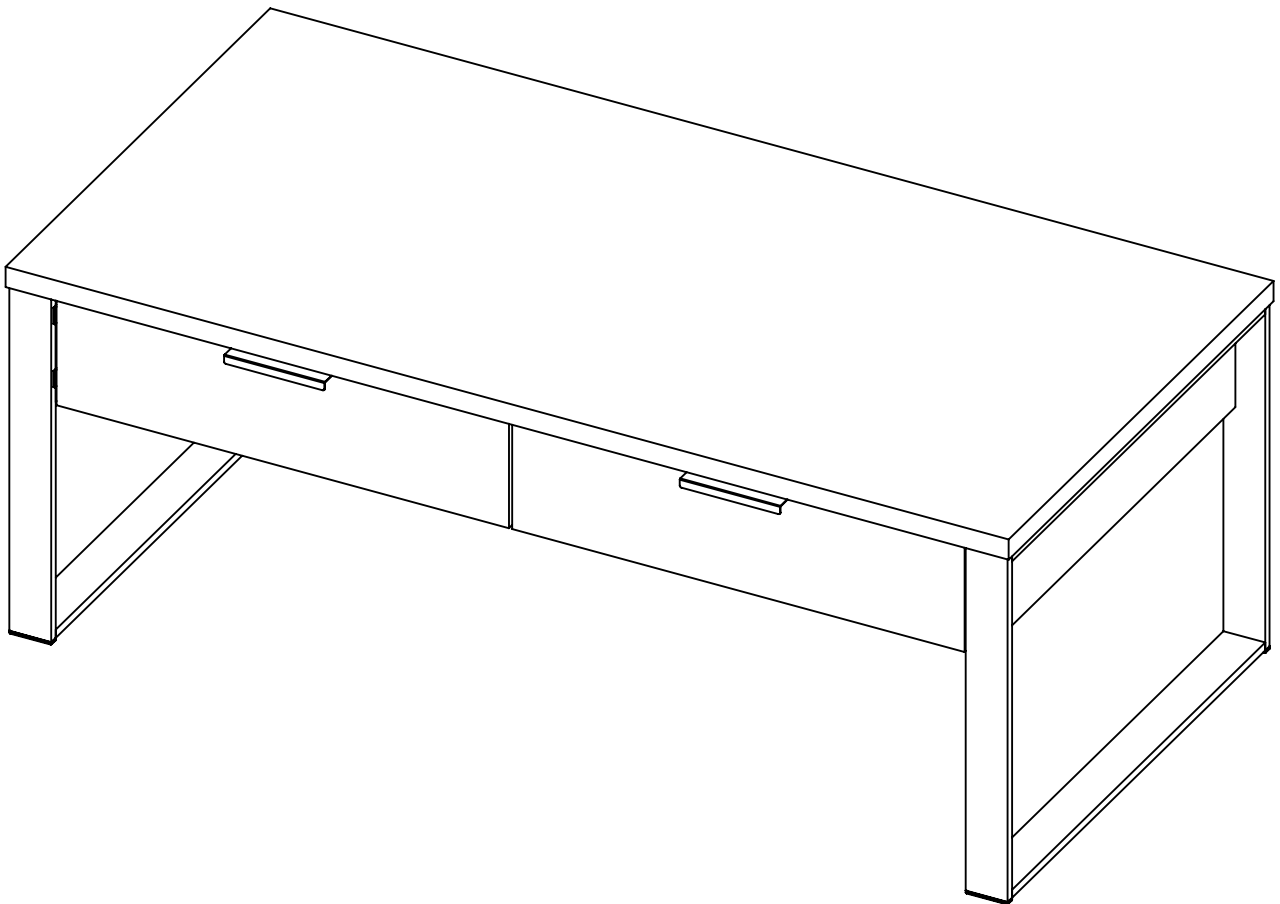
# ASSEMBLY INSTRUCTION FOR ACME FURNITURE

## MODEL#82470

Thank you for purchasing the quality product. Be sure to check all packing material carefully for small parts which may have come loose inside the carton during shipment. Separate, identify and count all parts and metal hardware. Compare with all parts list to be sure all parts are present. If any part(s) are missing or damaged, please contact your local furniture dealer. For efficient and speedy service, please indicate the model number and code letter of part(s) needed.

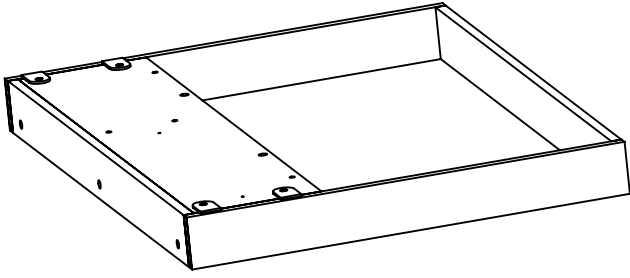
\*\*\* Do not fully tighten screws until fully assembled \*\*\*

Coffee table  
DIMENSIONS  
Length - 47"  
Width - 24"  
Height - 18"

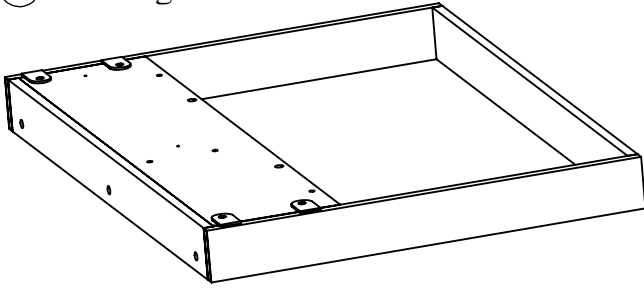


# 82470 Parts List

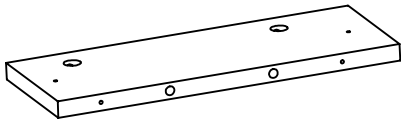
① X1 Left side



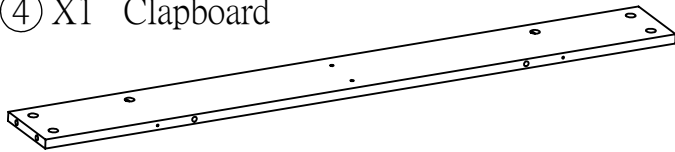
② X1 Right side



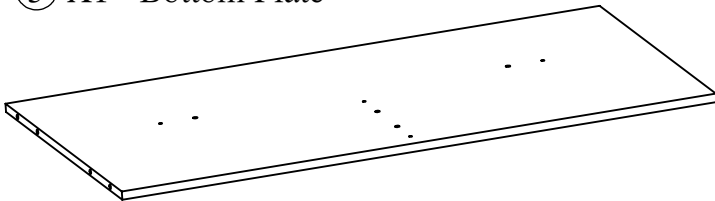
③ X1 Mid side



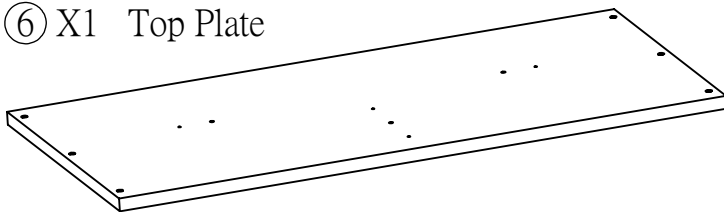
④ X1 Clapboard



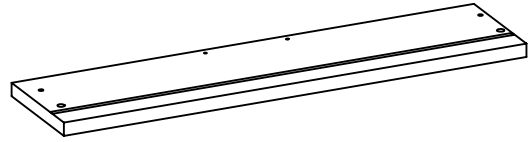
⑤ X1 Bottom Plate



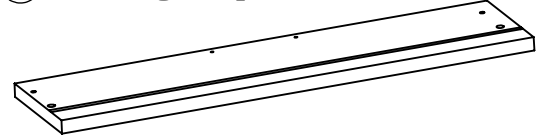
⑥ X1 Top Plate



⑦ X1 Left tap board



⑧ X1 Right tap board



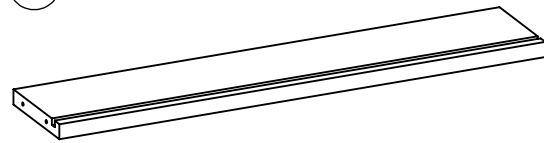
⑨ X2 Left draw wall



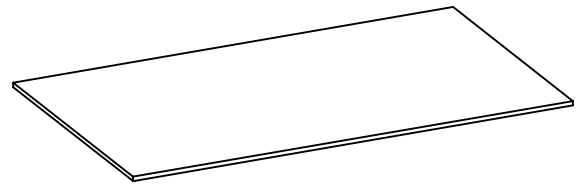
⑩ X2 Right draw wall



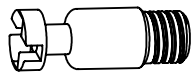

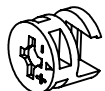


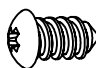






⑪ X2 drawer back



⑫ X2 draw botton



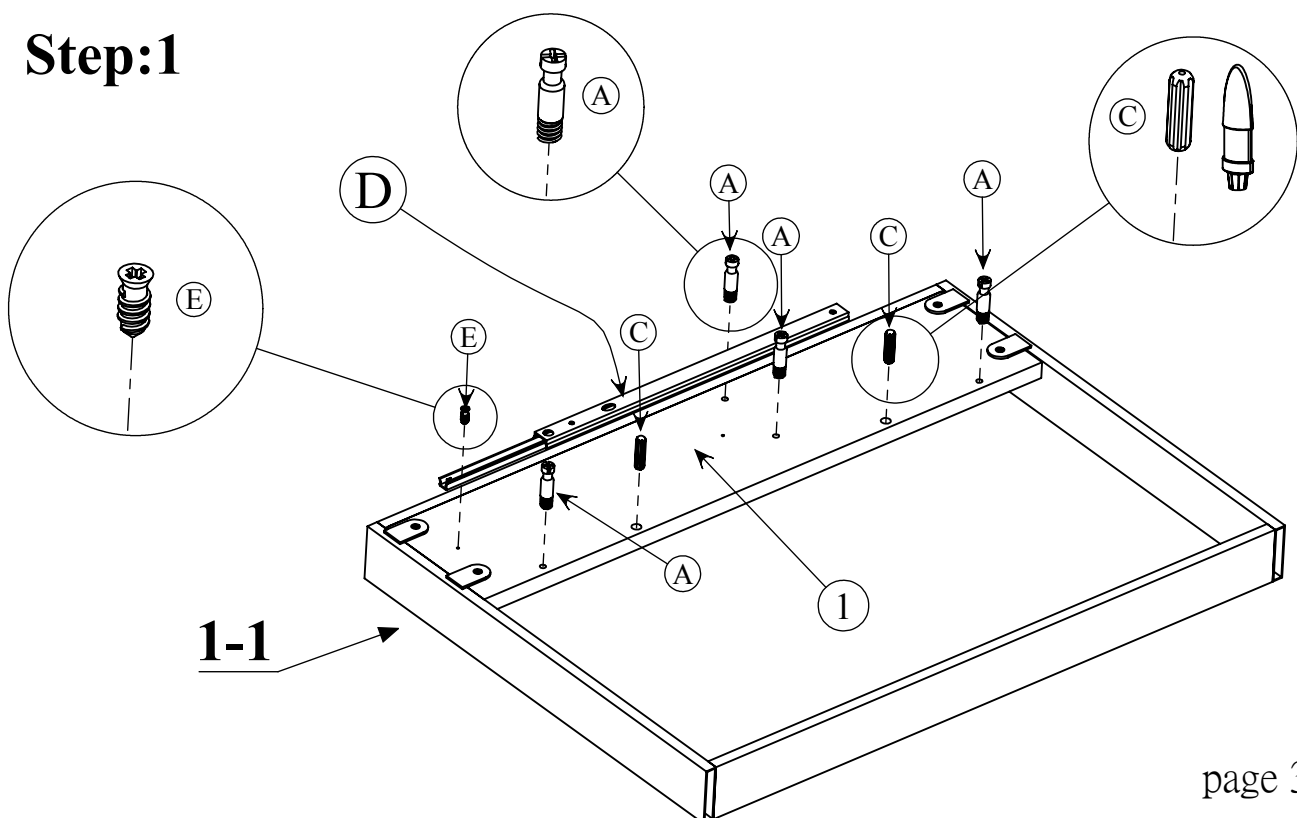
# 82470 Hardware List

<p>Ⓐ X 16 Cam bolt 7*39mm</p> 	<p>Ⓖ X 4 Slide rail screw 8.5*14mm</p> 
<p>Ⓑ X 16 Cam lock 15*12mm</p> 	<p>Ⓕ X 2 Iron handle 8.5*14mm</p> 
<p>Ⓒ X 15+1 Wooden bolt (8*30mm) &amp; Glue</p> 	<p>Ⓖ X 4 handle screw 9*14.5mm</p> 
<p>Ⓓ X 4 Stell ball slide 17*310mm</p> 	<p>Ⓙ X 6 Wood screw 8*38mm</p> 
<p>Ⓔ X 8 Wood screw 6.5*12mm</p> 	<p>Ⓚ X 4 Iron tube screen 10.7*50mm</p> 
<p>Ⓕ X 8 Wood screw 8*31mm</p> 	<p>Ⓛ X 6+1 Bolt (11*28mm) &amp; Allen Key</p> 

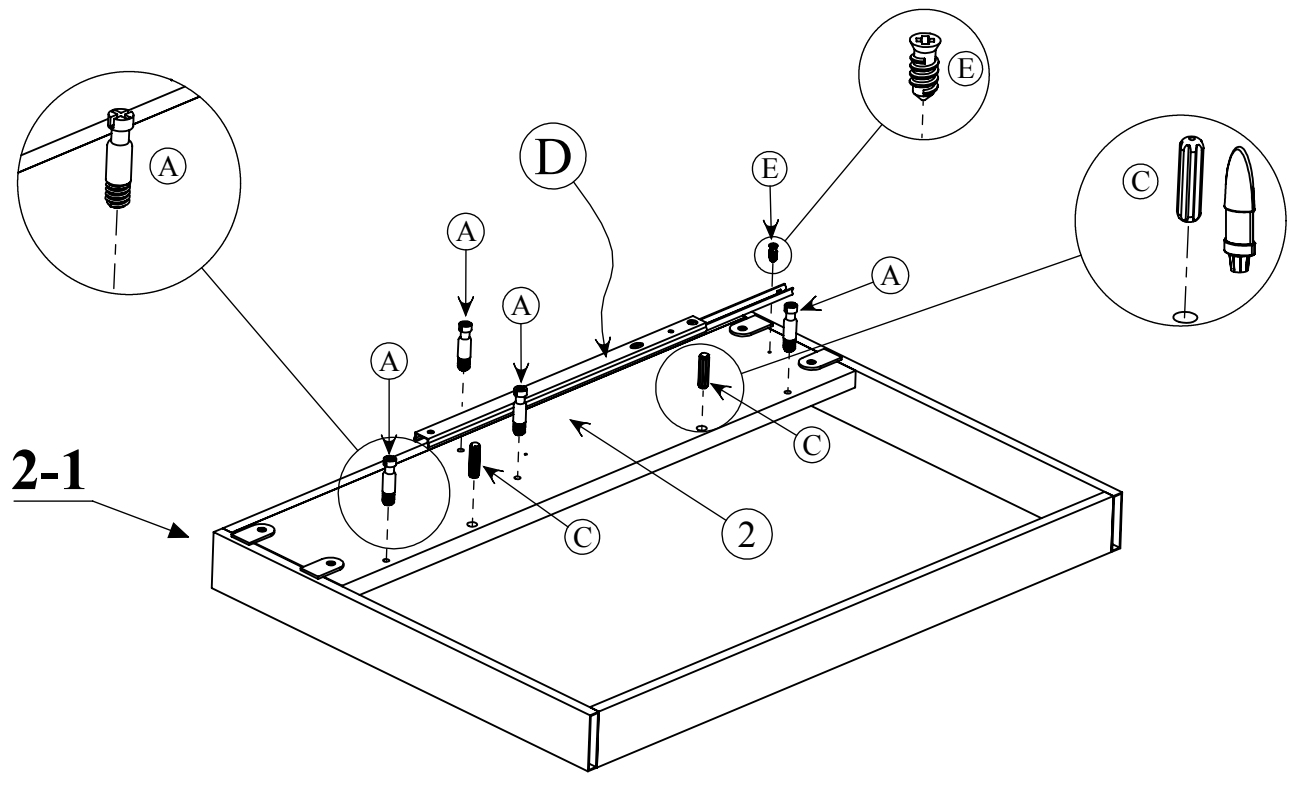
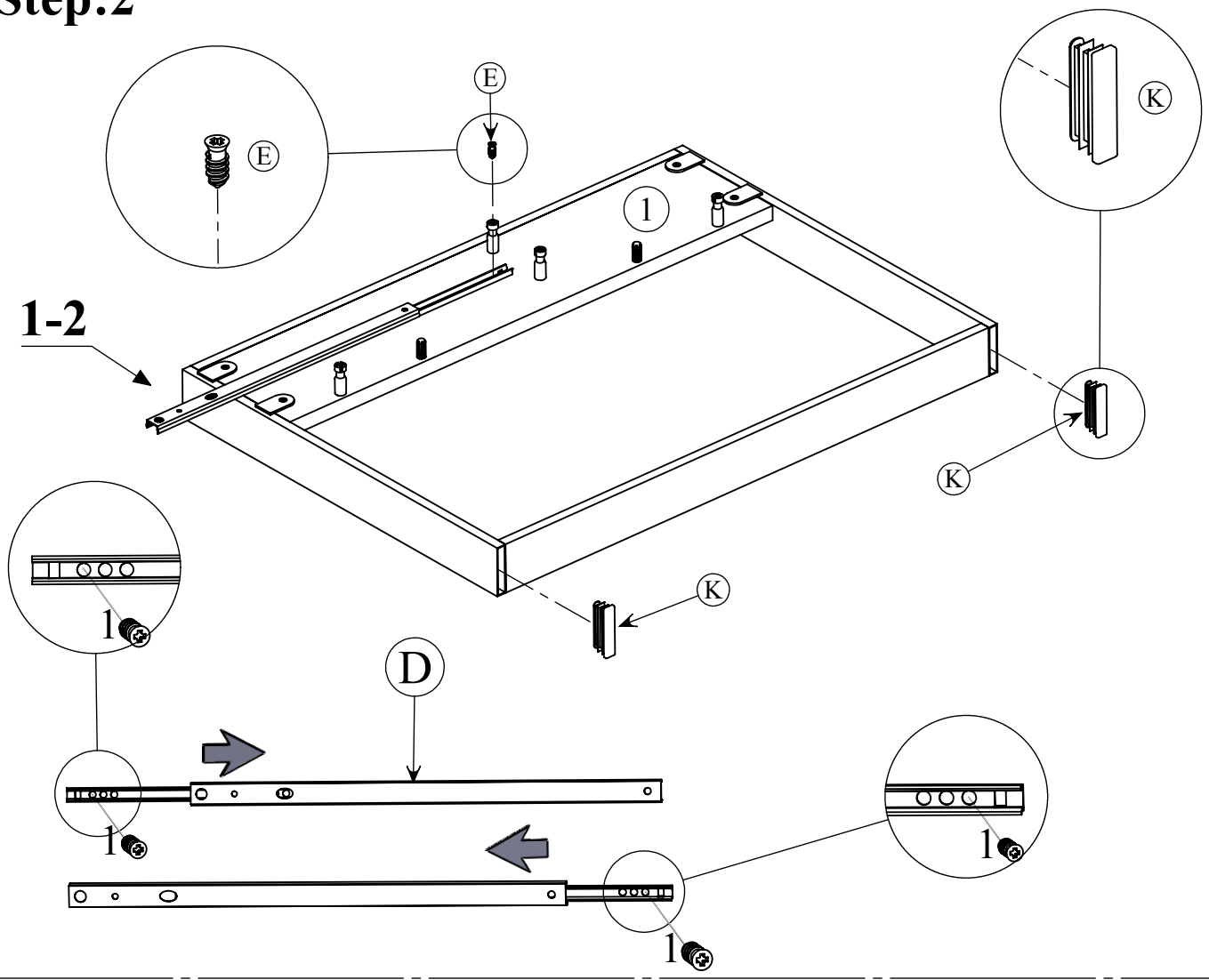
## Attention

Some number parts listed on the instruction sheet may not be in parts bag as they may already be assembled. Carefully check parts and packing materials prior to ordering replacements.

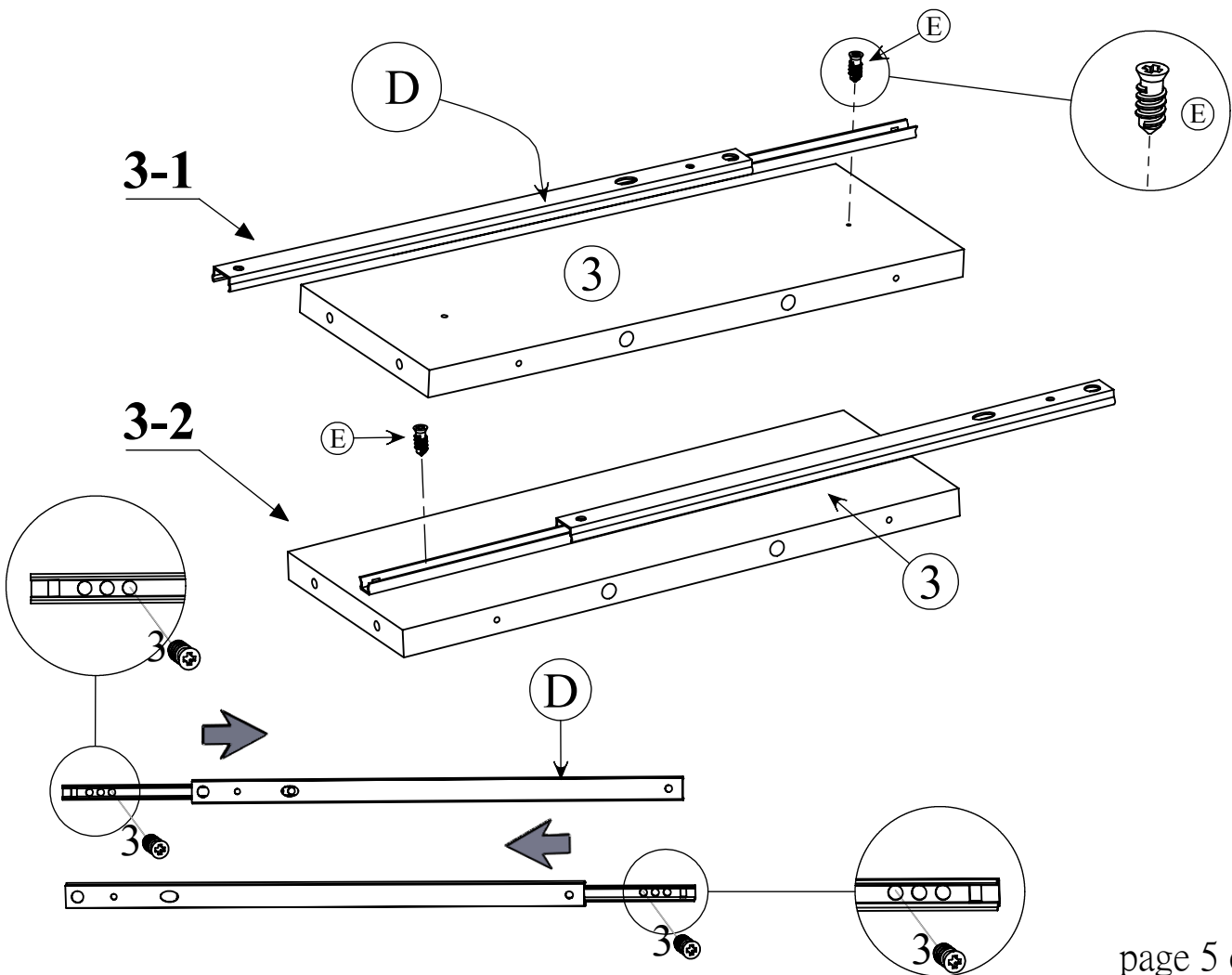
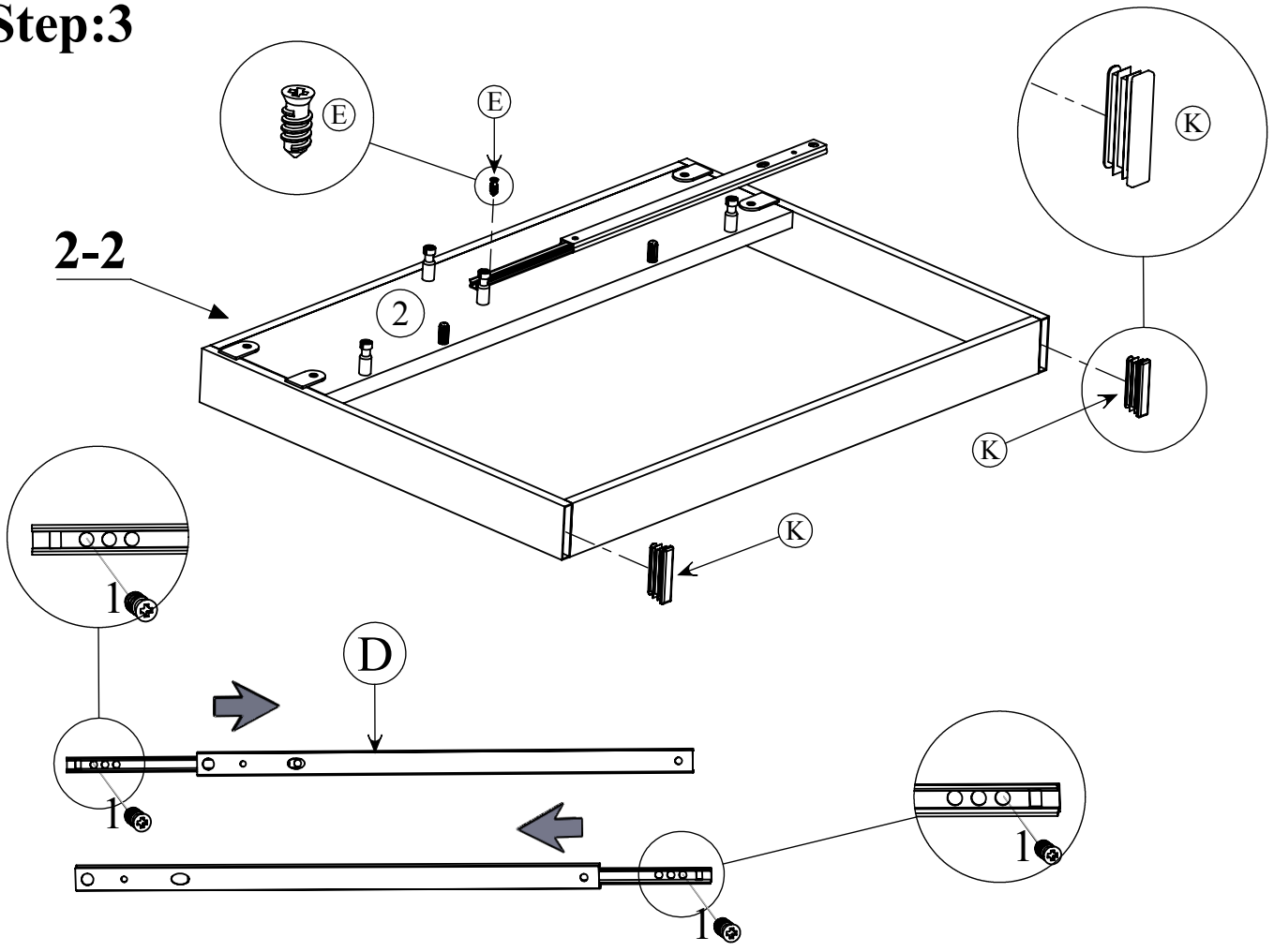
## Step:1



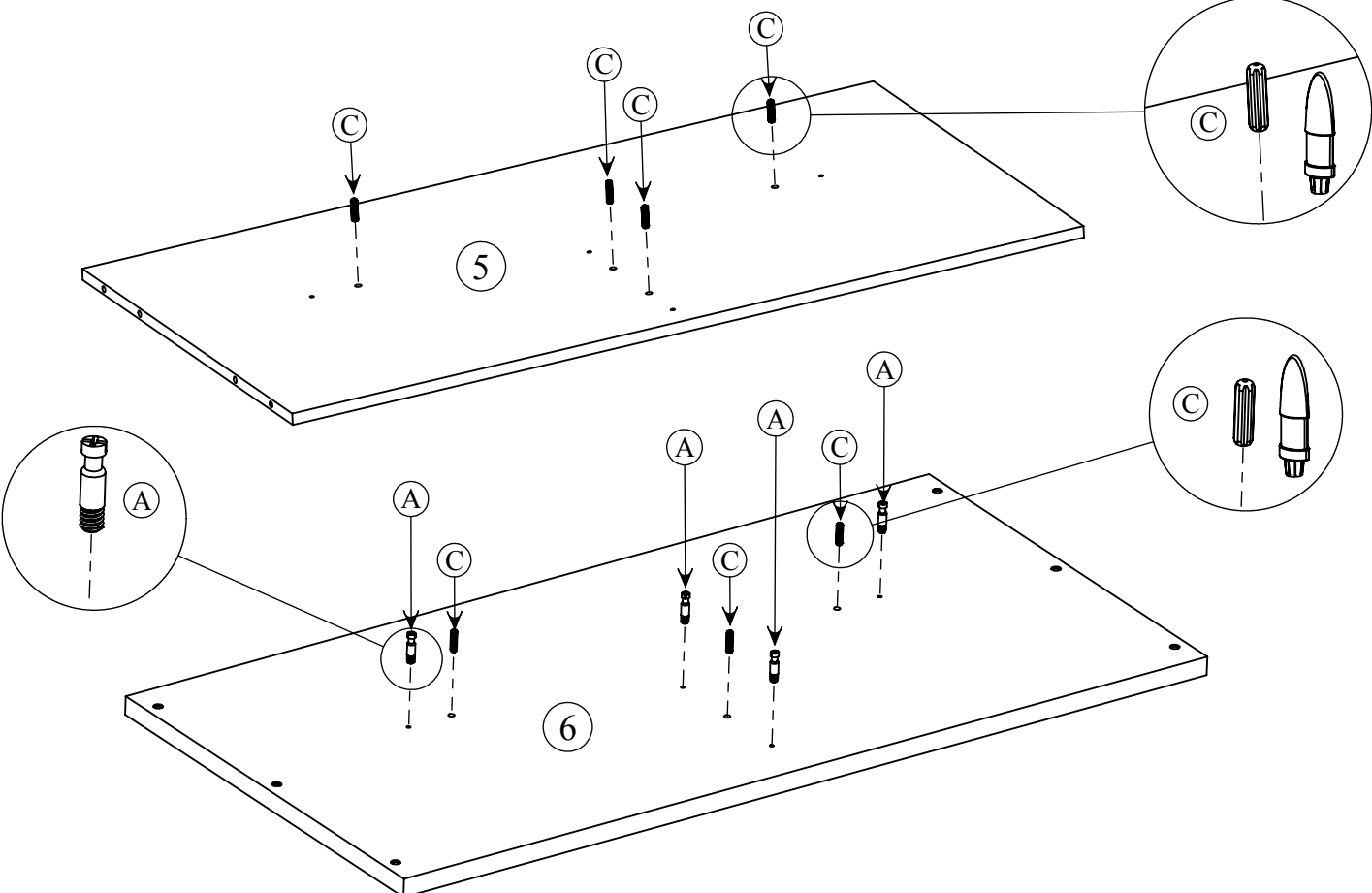
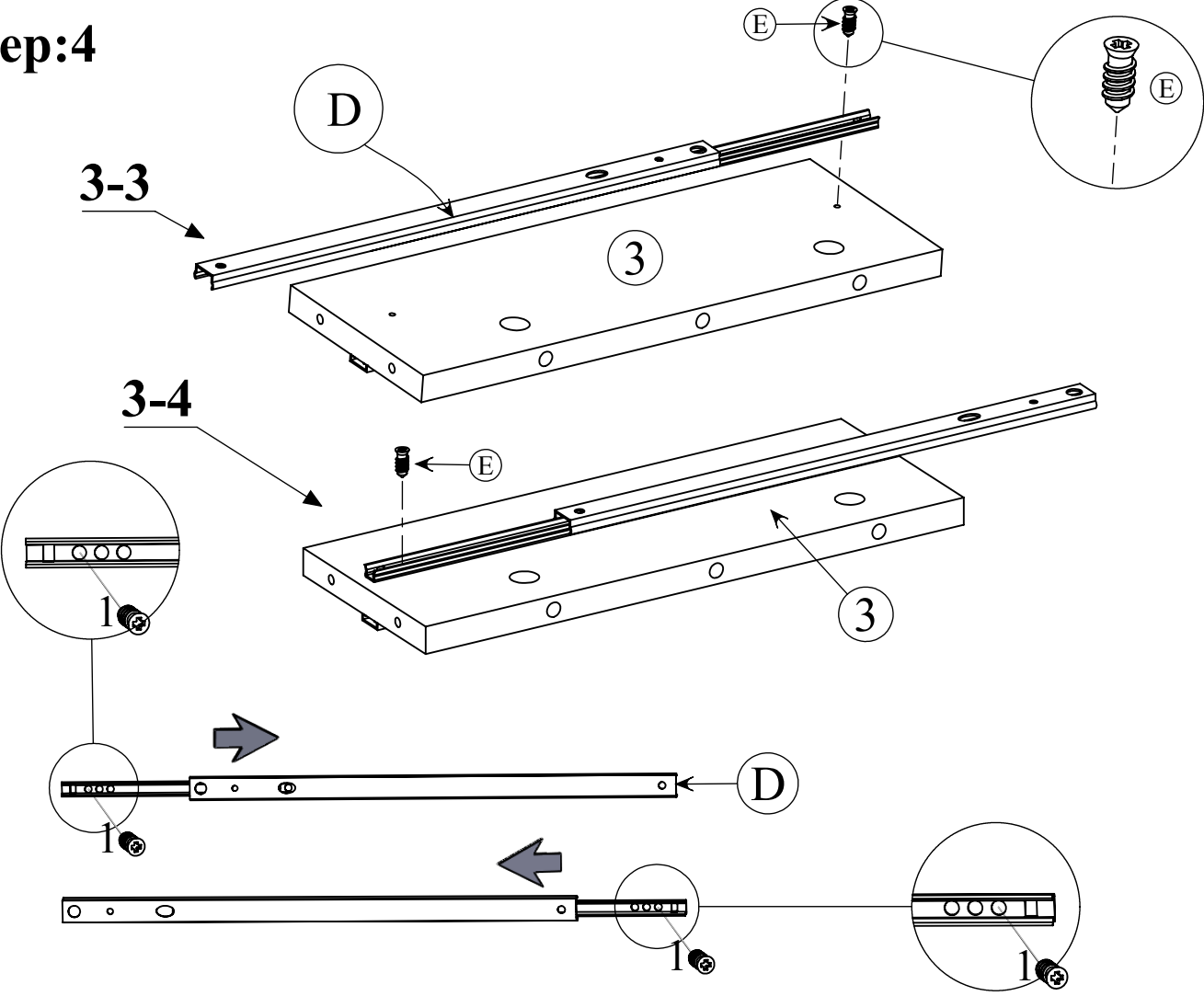
# Step:2



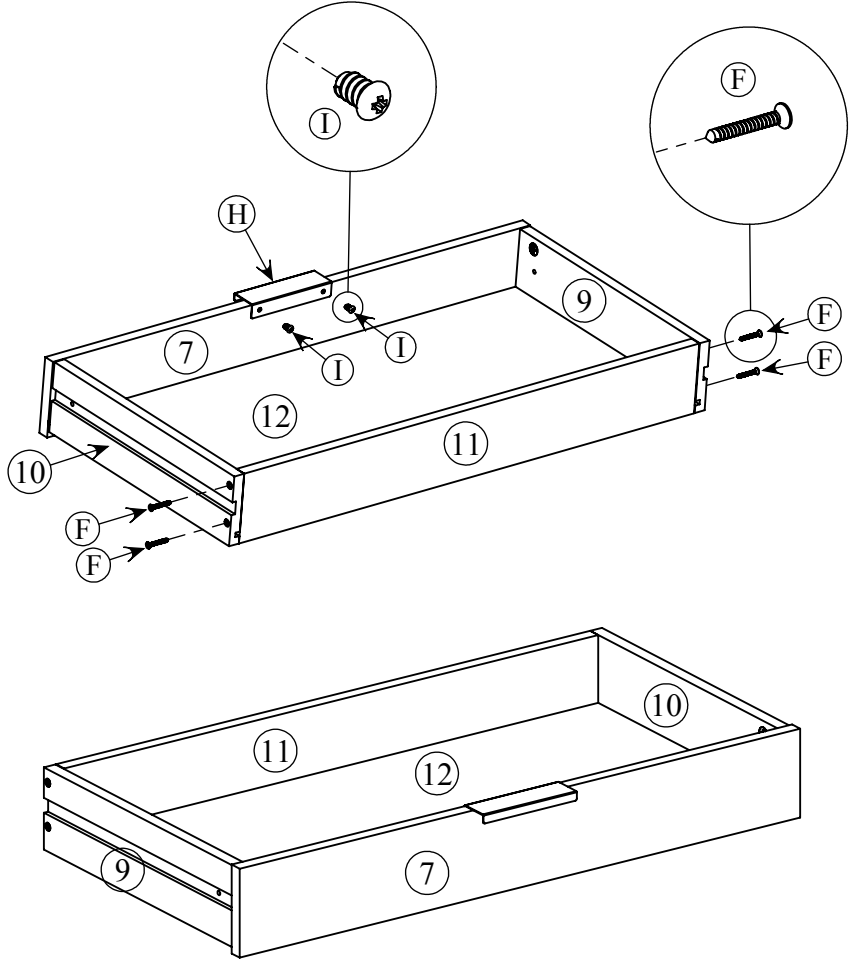
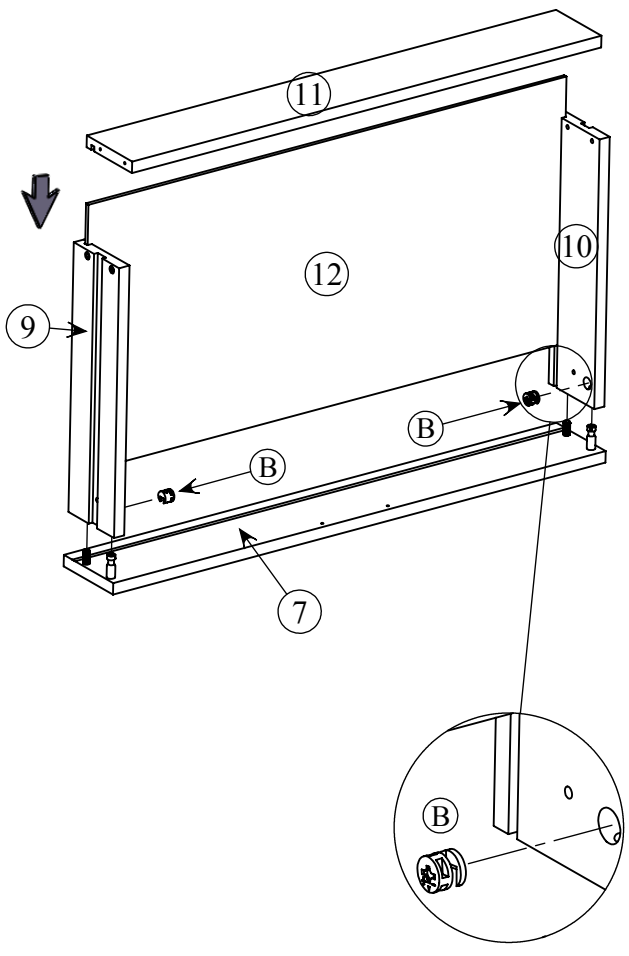
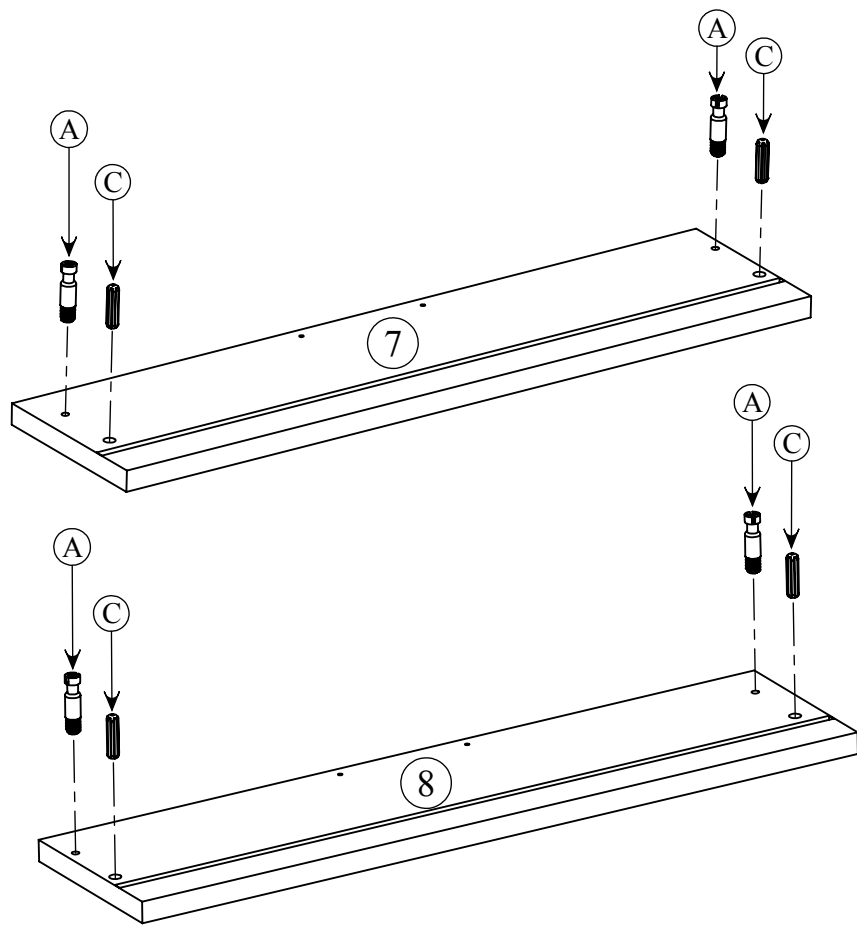
# Step:3



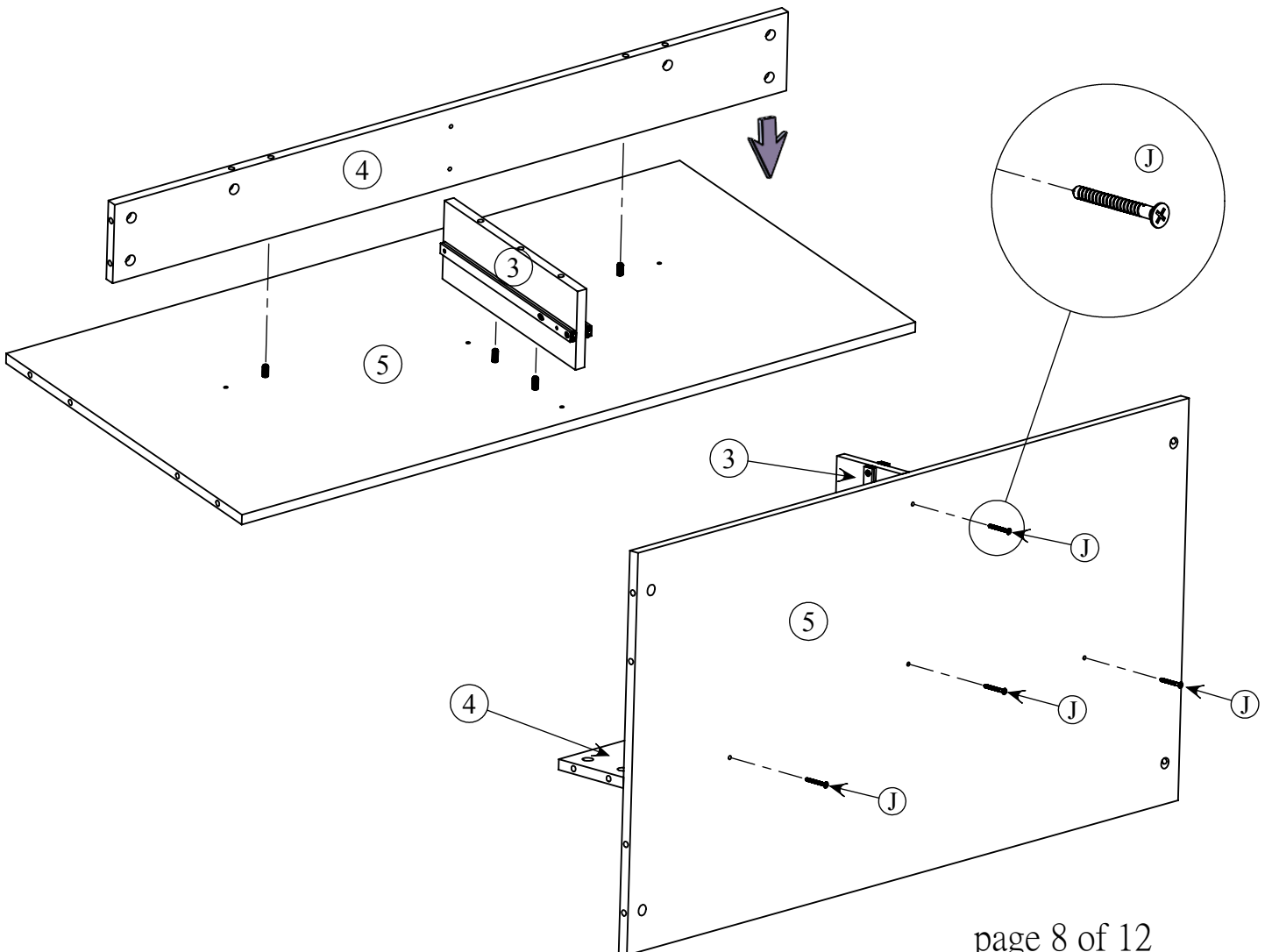
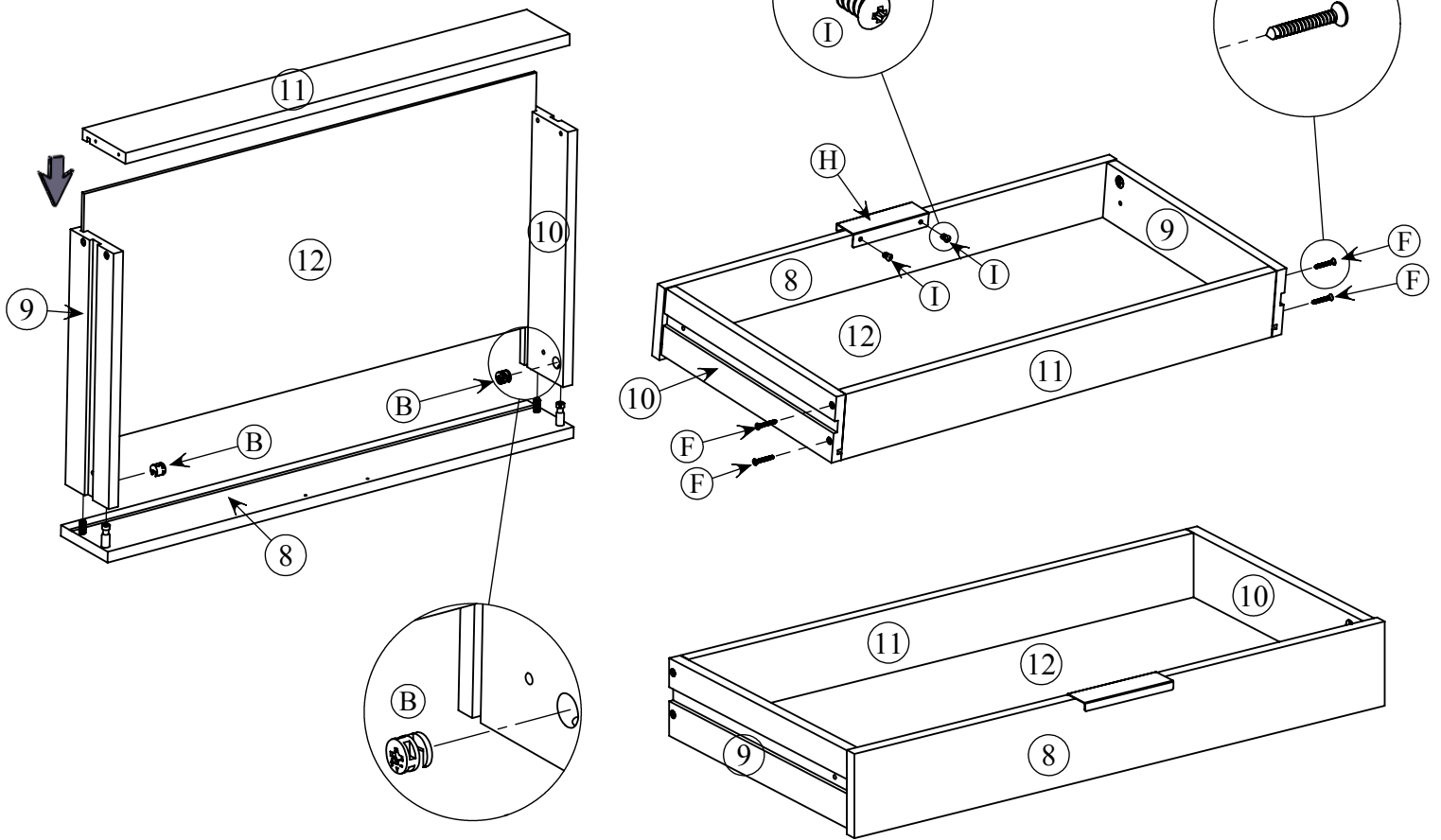
# Step:4



# Step:5

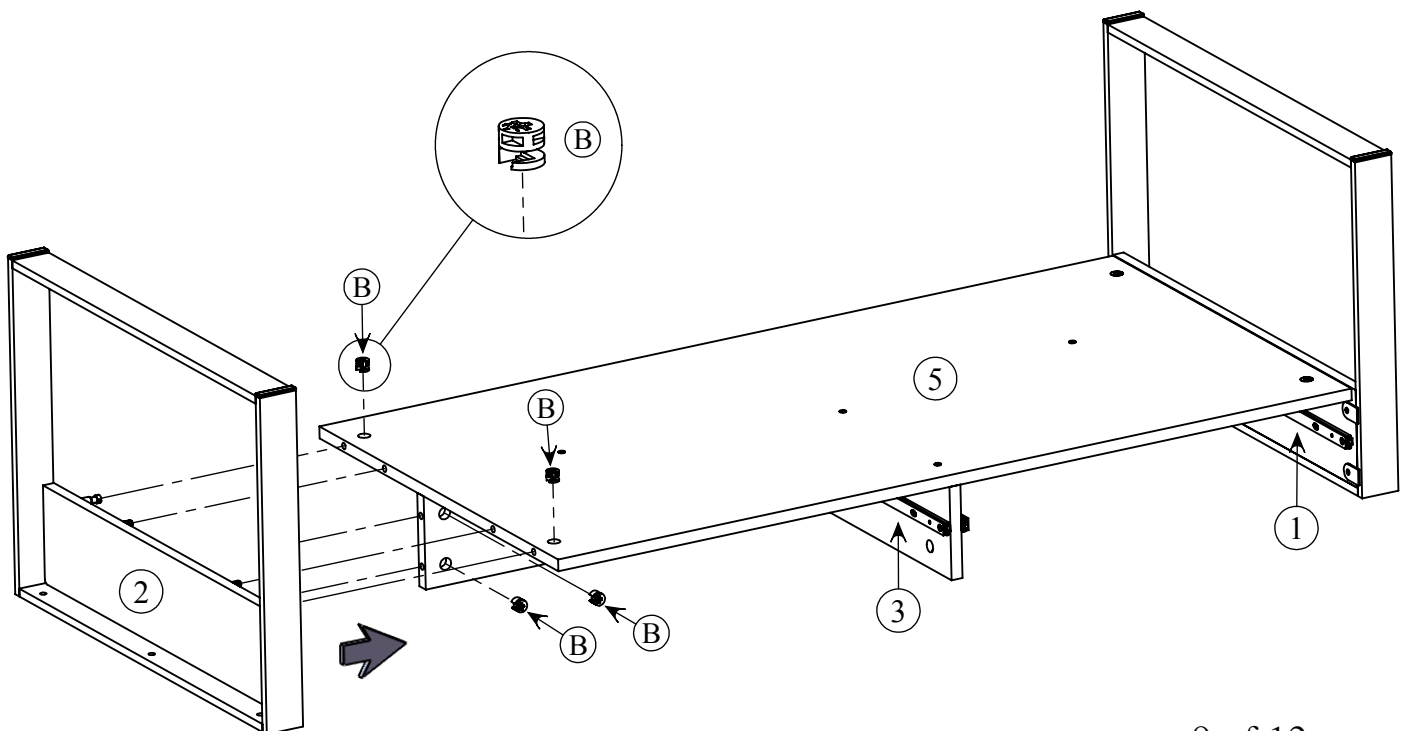
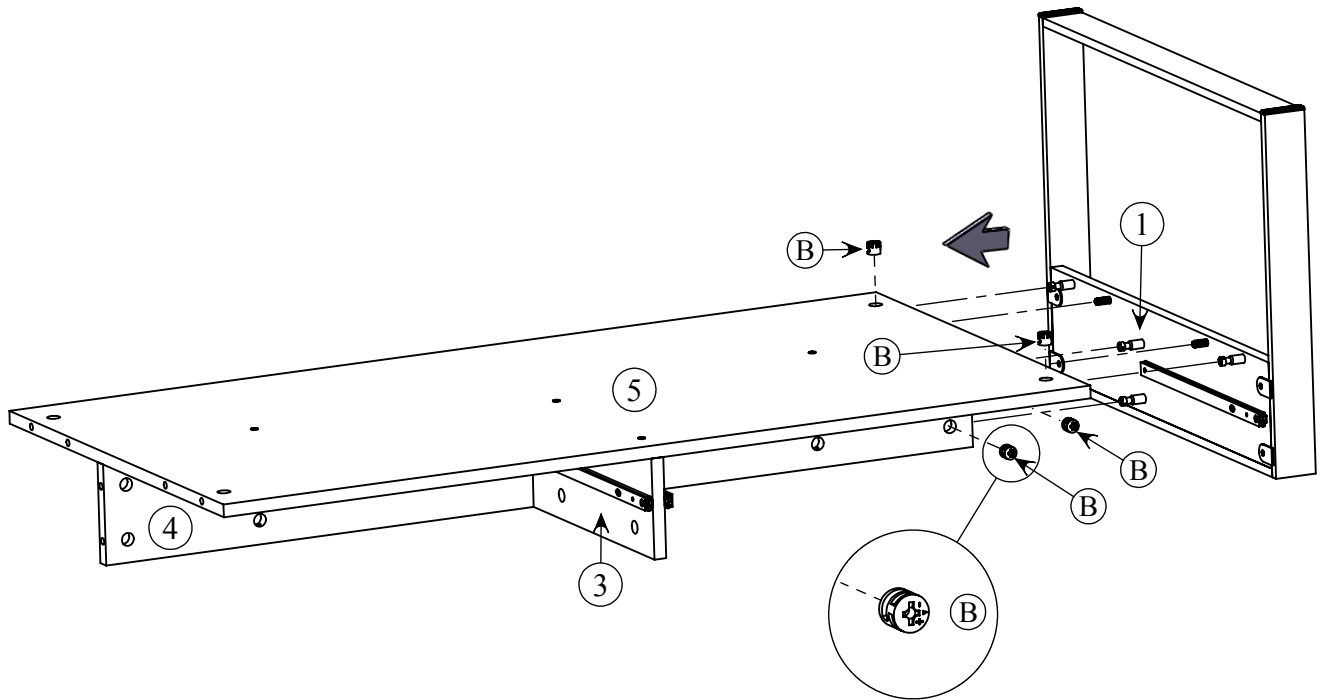
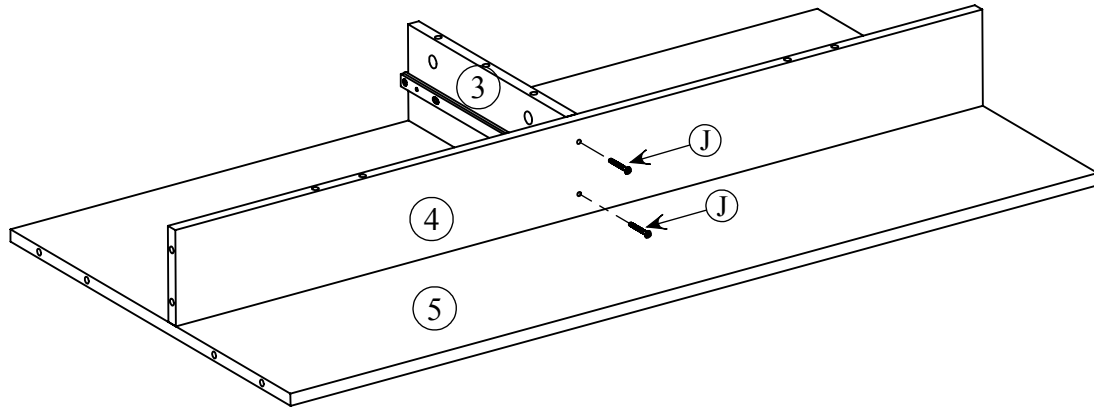


# Step:6

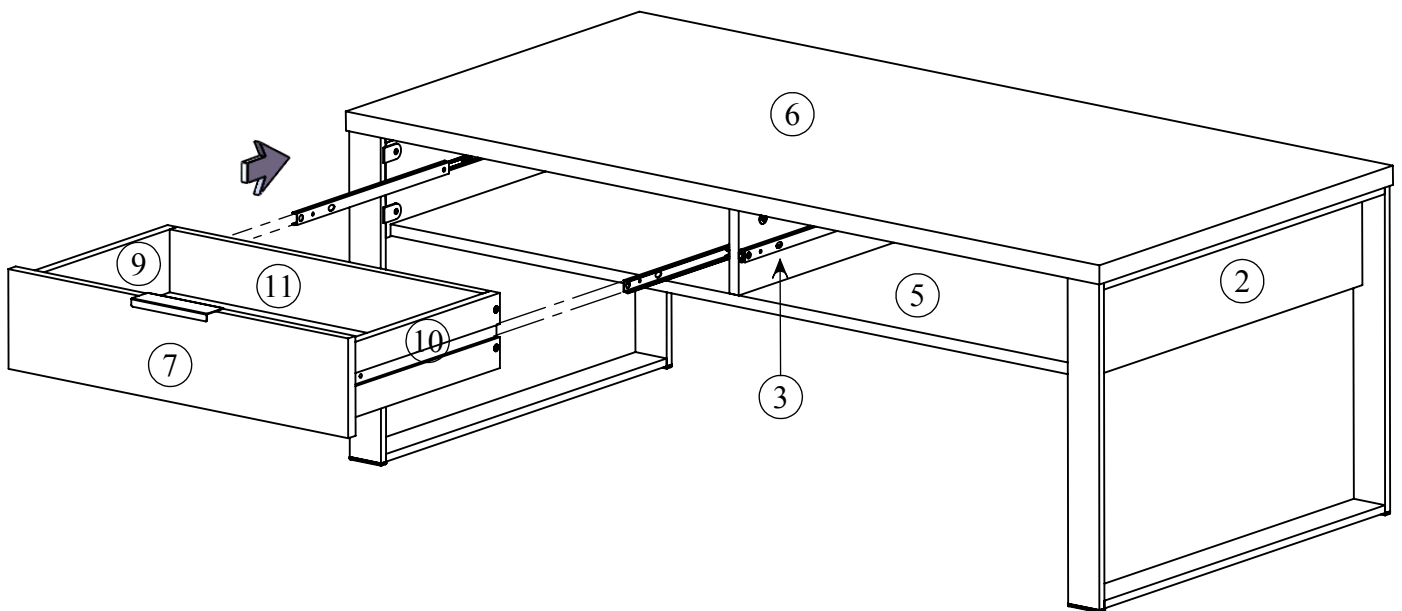
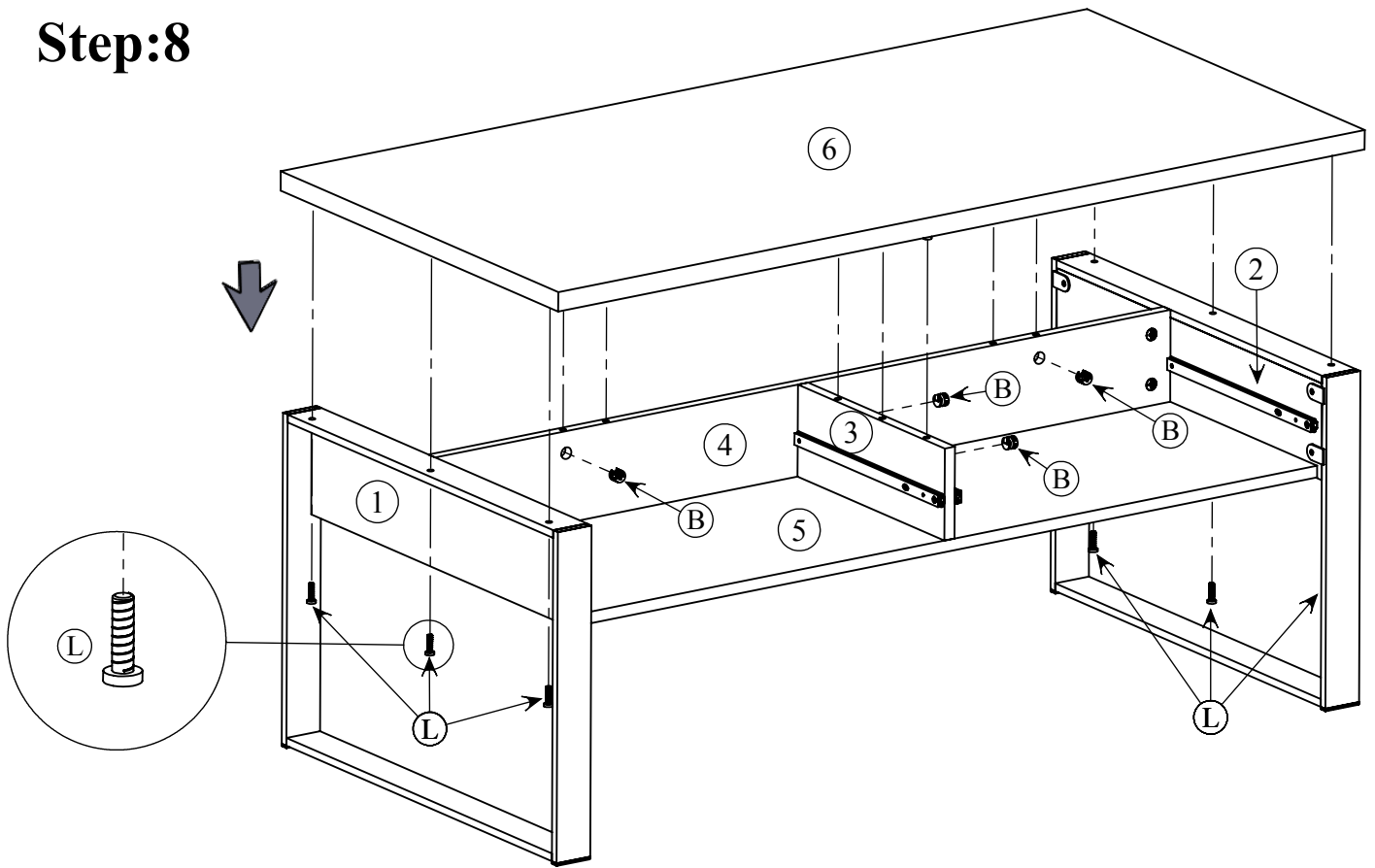




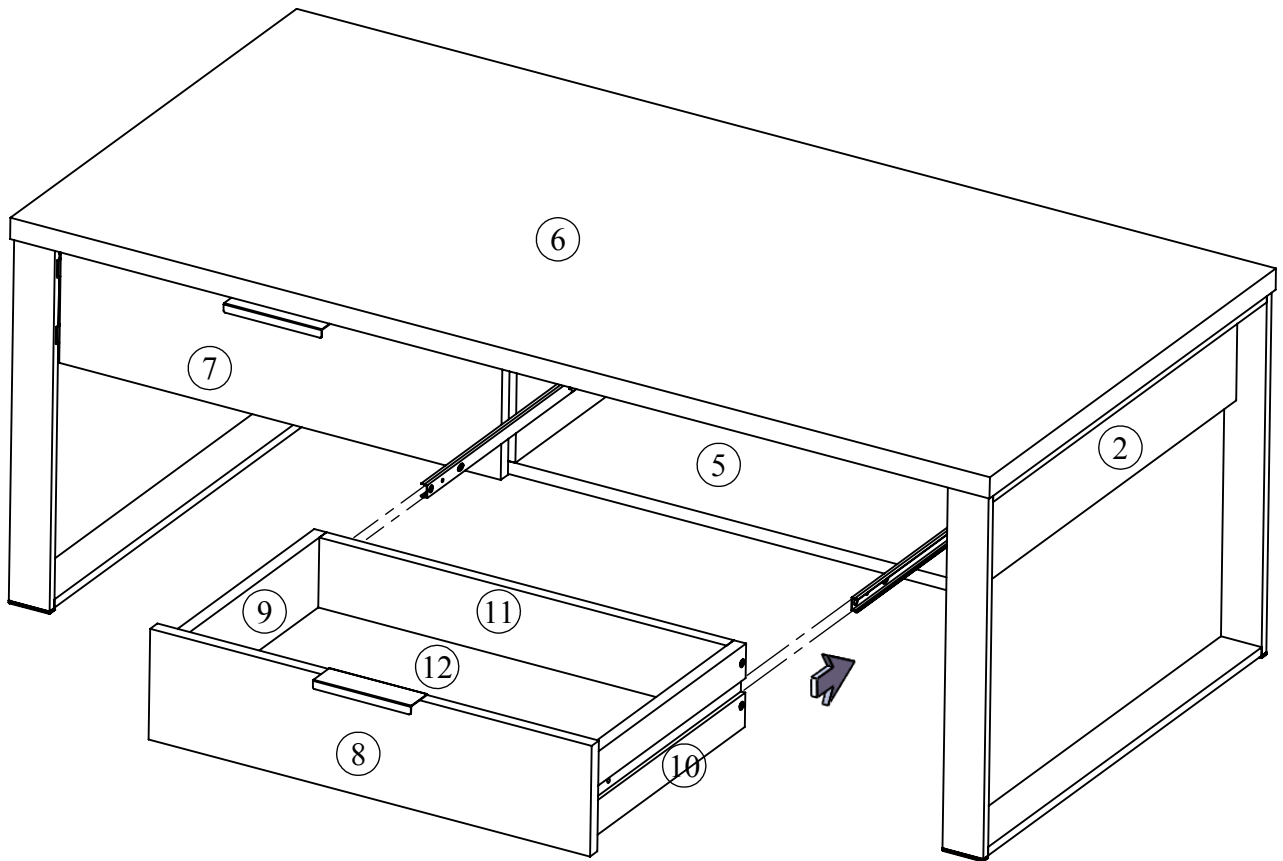
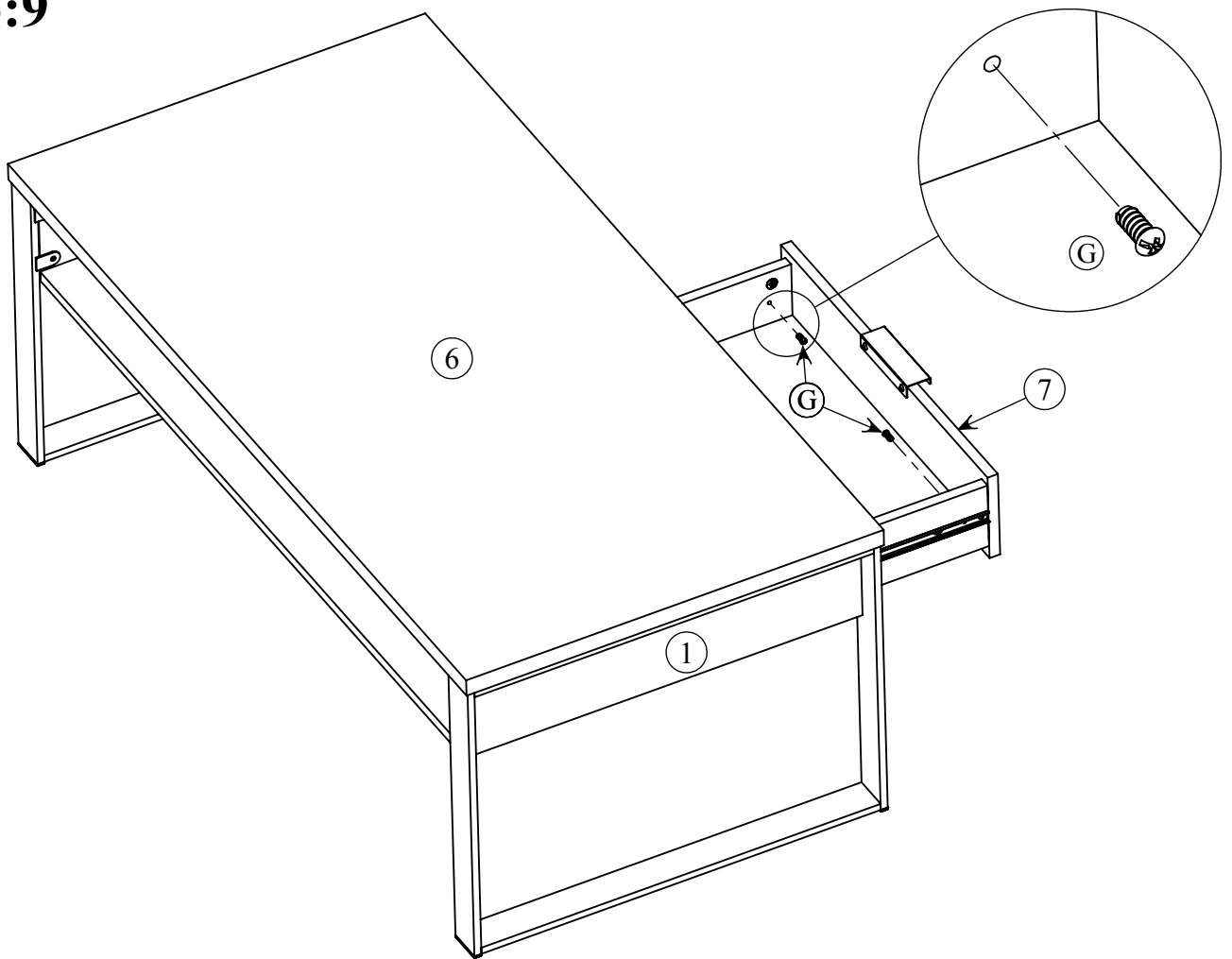
# Step:7



# Step:8



# Step:9



**Step:10**

