
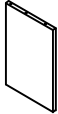




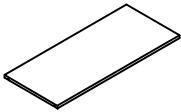
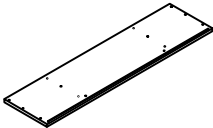



ASSEMBLY INSTRUCTION FOR ACME RURNITURE


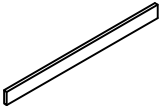
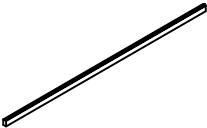
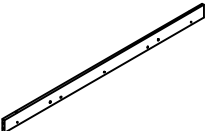
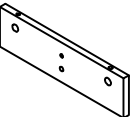
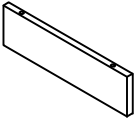
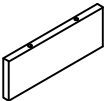
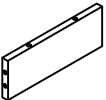
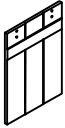
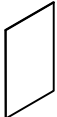
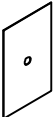

MODEL# 91608/91610 TV STAND


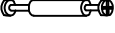


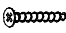
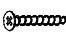
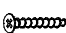
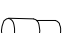



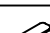
Thank you for purchasing this quality product. Be sure to check all packing materials carefully for small parts which may have come loose inside the carton during shipment. Separate, identify, and count all parts and metal hardware. Compare with parts list to be sure all parts are present. If any part(s) are missing or damaged, please contact your local furniture dealer. For efficient and speedy service, please indicate the model number and code letter of the part(s) needed.







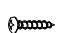


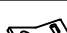
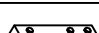
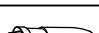
*** Do not fully tighten screws until fully assembled ***

COMPONENT PARTS		
DECERPTION	PART NAME	Q'TY(PCS)
1	TOP 	1PC
2	LEFT SIDE PANEL 	1PC
3	RIGHT SIDE PANEL 	1PC
4	LEFT DIVIDER PANEL 	1PC
5	RIGHT DIVIDER PANEL 	1PC
6	SMALL ADJUSTABLE SHELF 	2PCS
7	LARGE ADJUSTABLE SHELF 	1PC
8	BOTTOM PANEL 	1PC
9	LEFT FRONT SLAT 	1PC

COMPONENT PARTS

DECERPTION	PART NAME	Q'TY(PCS)
10	RIGHT FRONT SLAT 	1PC
11	SMALL TOP SLAT 	1PC
12	SLIPWAY 	1PC
13	LARGE TOP SLAT 	1PC
14	LEFT MIDDLE BOTTOM SUPPORT 	1PC
15	RIGHT MIDDLE BOTTOM SUPPORT 	1PC
16	LEFT BOTTOM SUPPORT 	1PC
17	RIGHT BOTTOM SUPPORT 	1PC
18	SLIDING DOOR 	2PCS
19	LEFT BACK PANEL 	1PC
20	RIGHT BACK PANEL 	1PC
21	SIDE BACK PANEL 	2PCS

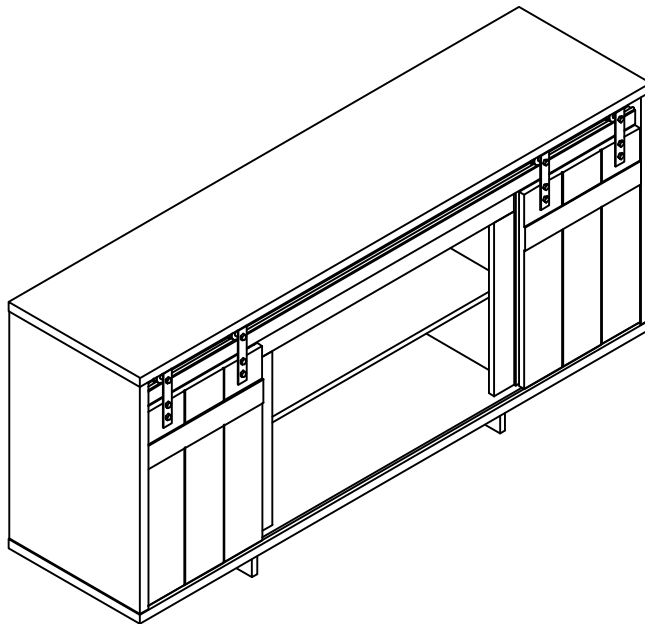
HARDWARE REQUIRED:			
A		L29	25pcs
B		L60	2pcs
C		φ15	29pcs
D		φ8x25	18pcs
E		φ4x30	3pcs
F		φ4x35	2pcs
G		φ4x40	4pcs
H		φ5x15	12pcs
I		φ6x30	4pcs
J		M6x25	8pcs
K		M6	8pcs
L		M10	2pcs

HARDWARE REQUIRED:			
M		φ7x48	4pcs
N		φ8xφ16x2	4pcs
O			45pcs
P		φ22	4pcs
Q		φ16	6pcs
R		197x5x1	1pc
S		φ4x25	1pc
T		φ5x40	1pc
U		φ8x40	1pc
V		12x12x1	2pcs
W		140x40x30	4pcs
X		Glue: For securing please apply to wood dowel first before inserting into panel	1pc

Attention:

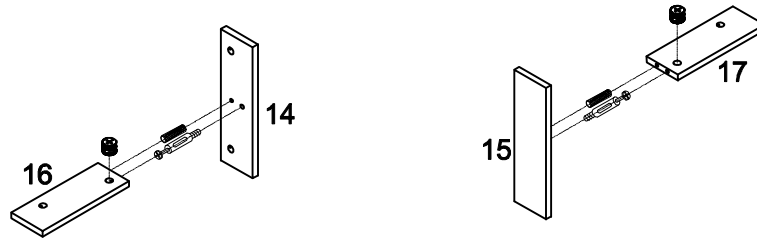
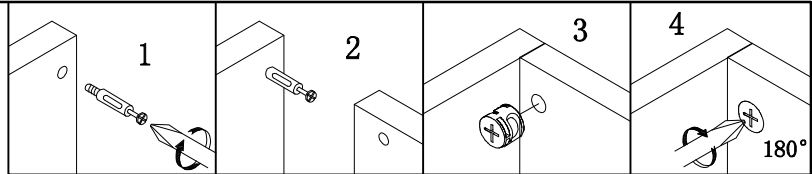
***Mattresses not included.

***Some number parts listed on the instruction sheet may not be in parts bag as they may already be assemble. Carefully check parts and packing materials prior to ordering replacements.



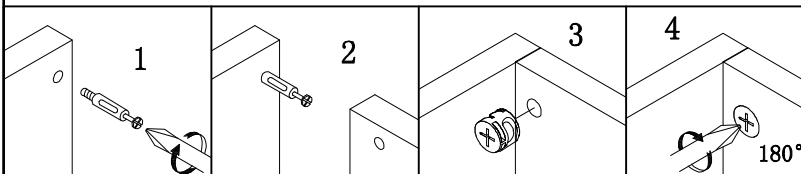
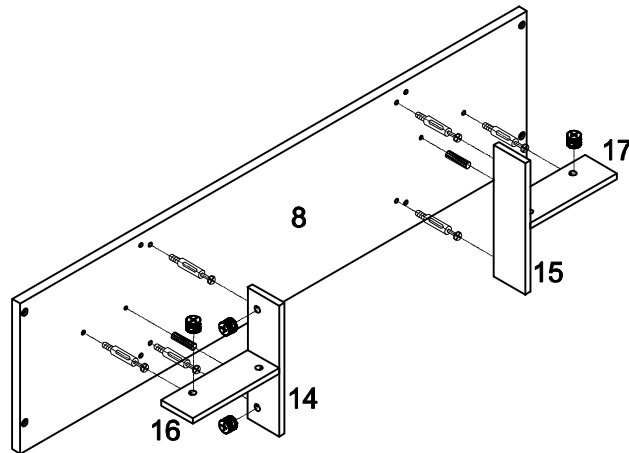
How to Assemble:

STEP 1.



A		2pcs
C		2pcs
D		2pcs

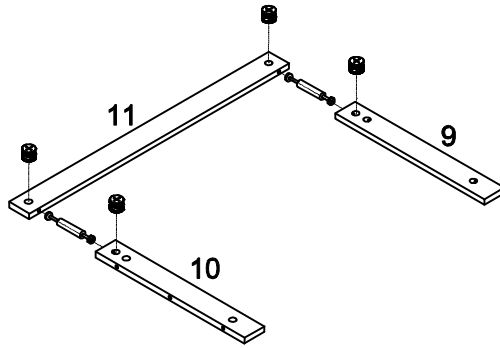
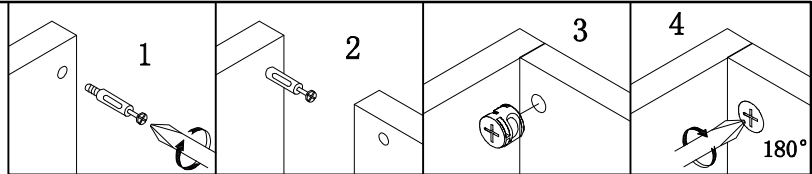
STEP 2.

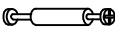



A		6pcs
C		6pcs
D		2pcs

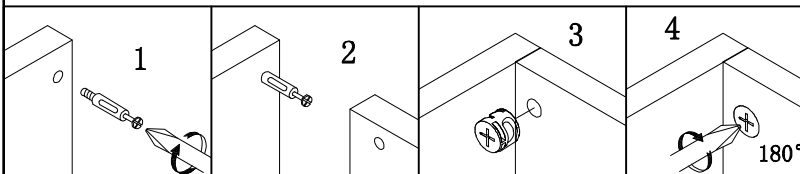
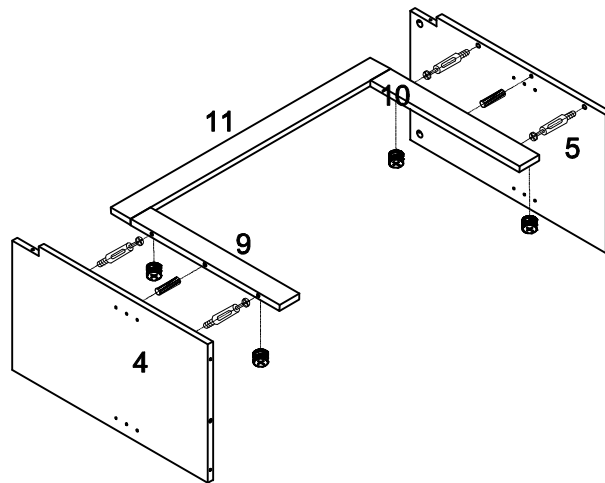
How to Assemble:




STEP 3.



B		2pcs
C		4pcs

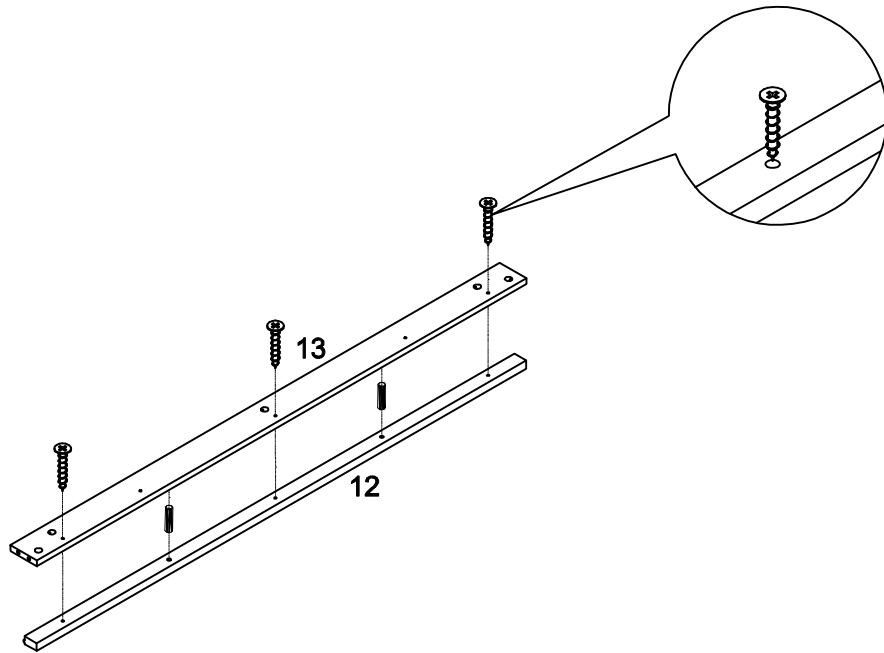
STEP 4.

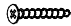



A		4pcs
C		4pcs
D		2pcs

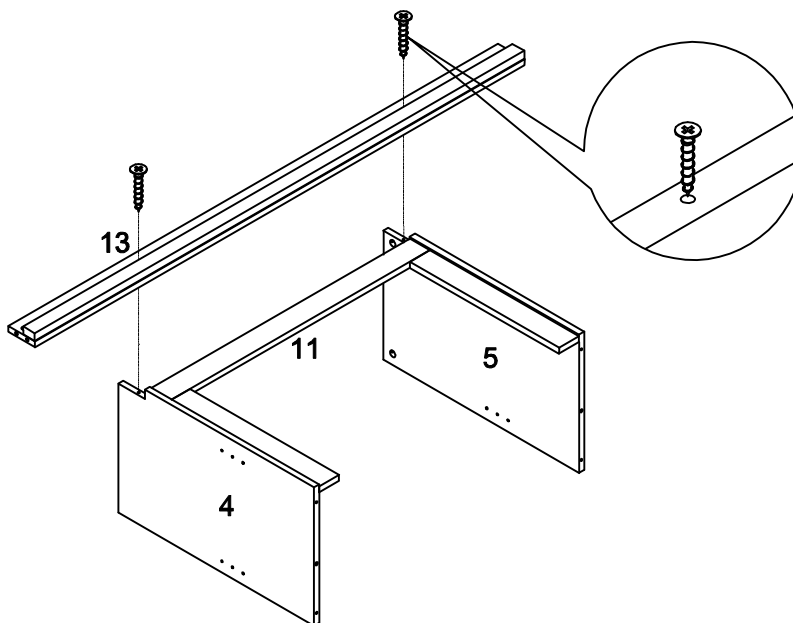
How to Assemble:

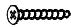
STEP 5.



E		3pcs
D		2pcs

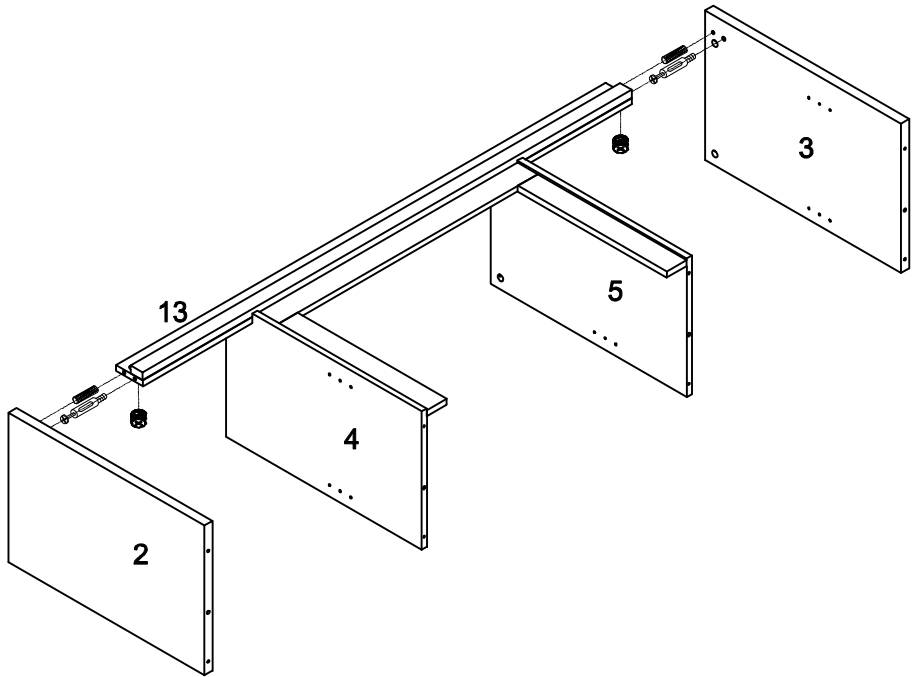
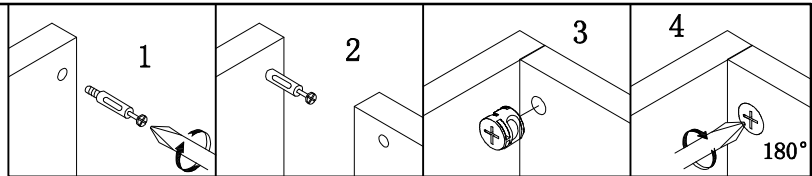
STEP 6.



F		2pcs
---	---	------

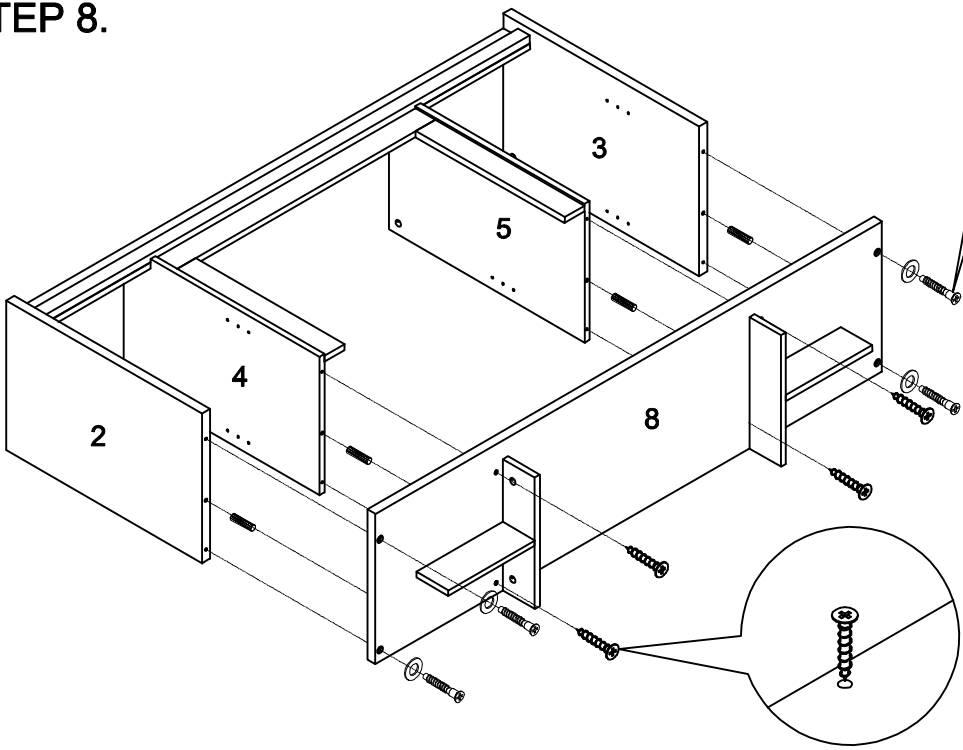
How to Assemble:

STEP 7.



A		2pcs
C		2pcs
D		2pcs

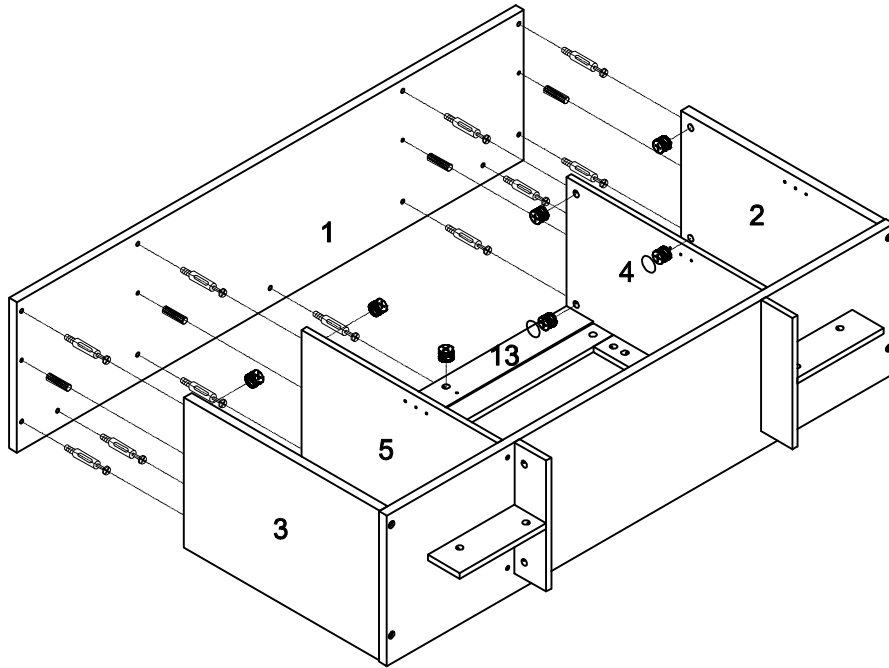
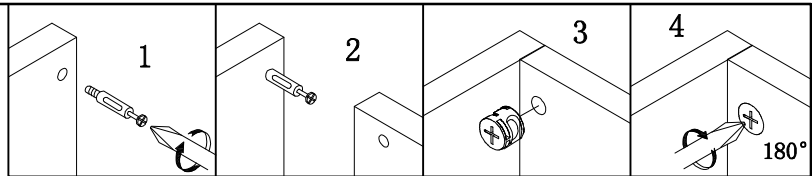
STEP 8.



G		4pcs
M		4pcs
N		4pcs
D		4ps

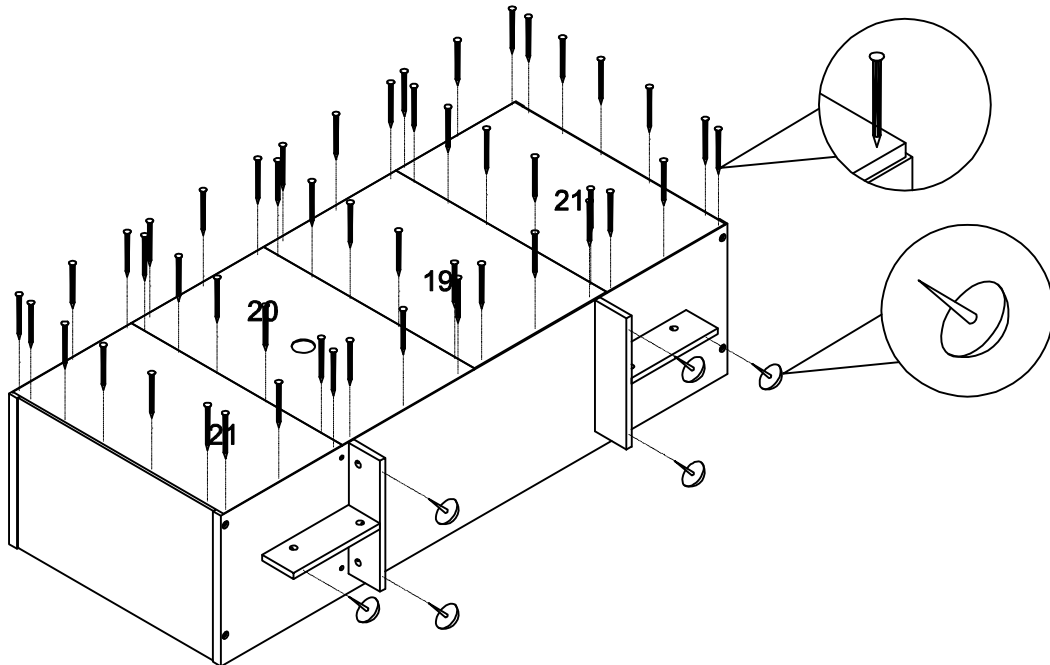
How to Assemble:

STEP 9.



A		11pcs
C		11pcs
D		4pcs
P		4pcs

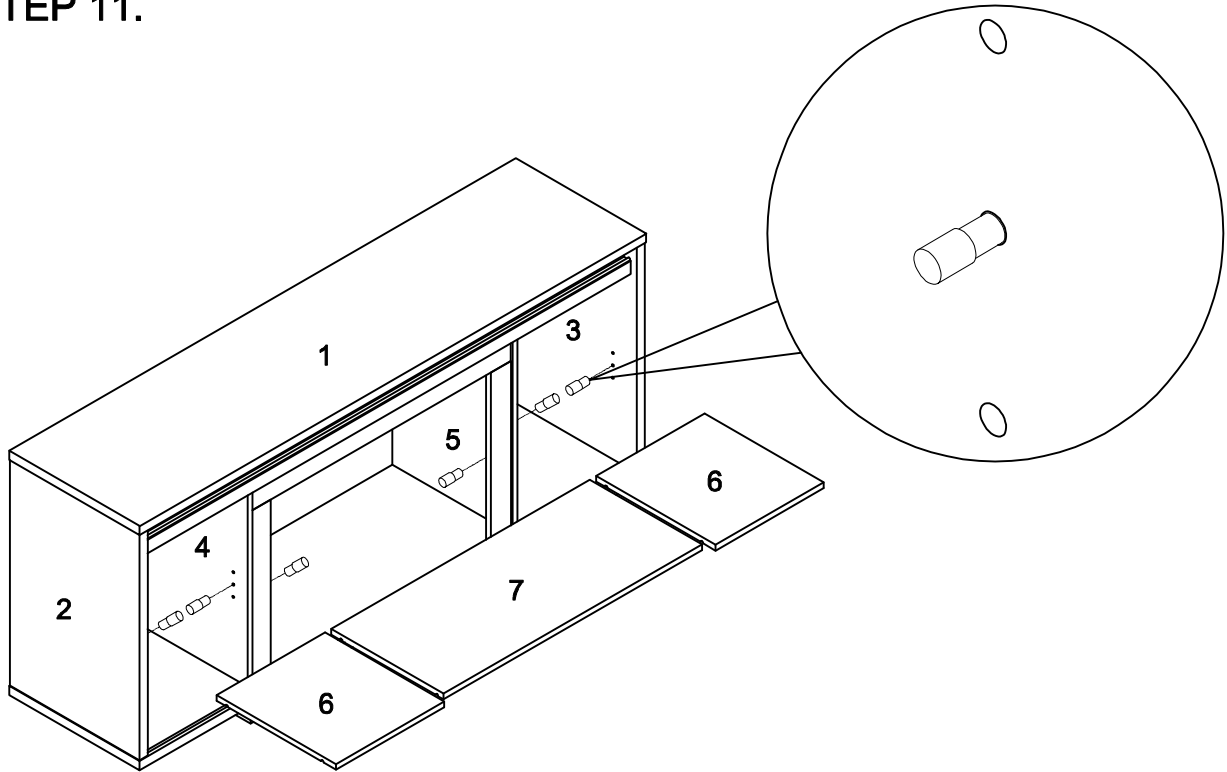
STEP 10.



Q		6pcs
O		45pcs

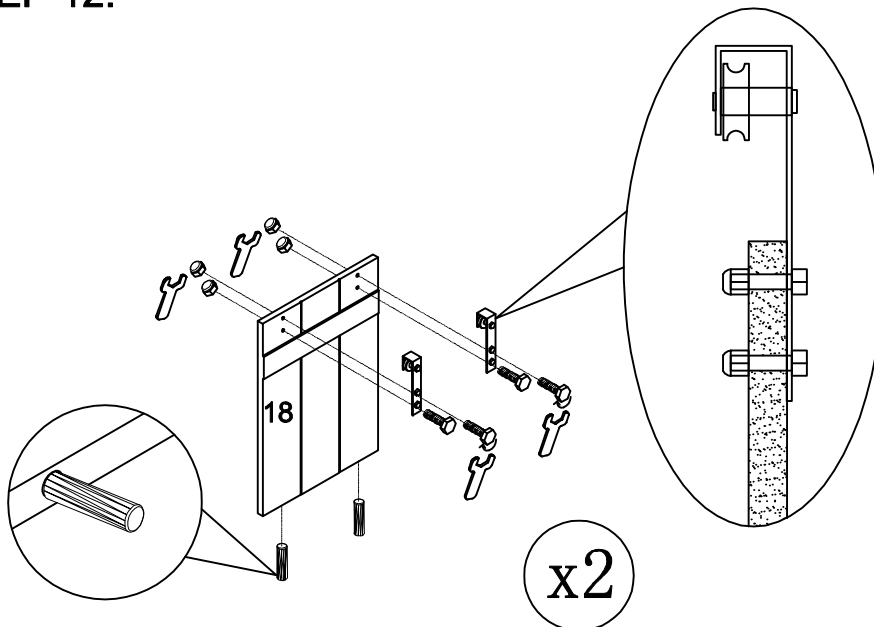
How to Assemble:

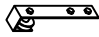




STEP 11.



H  12pcs

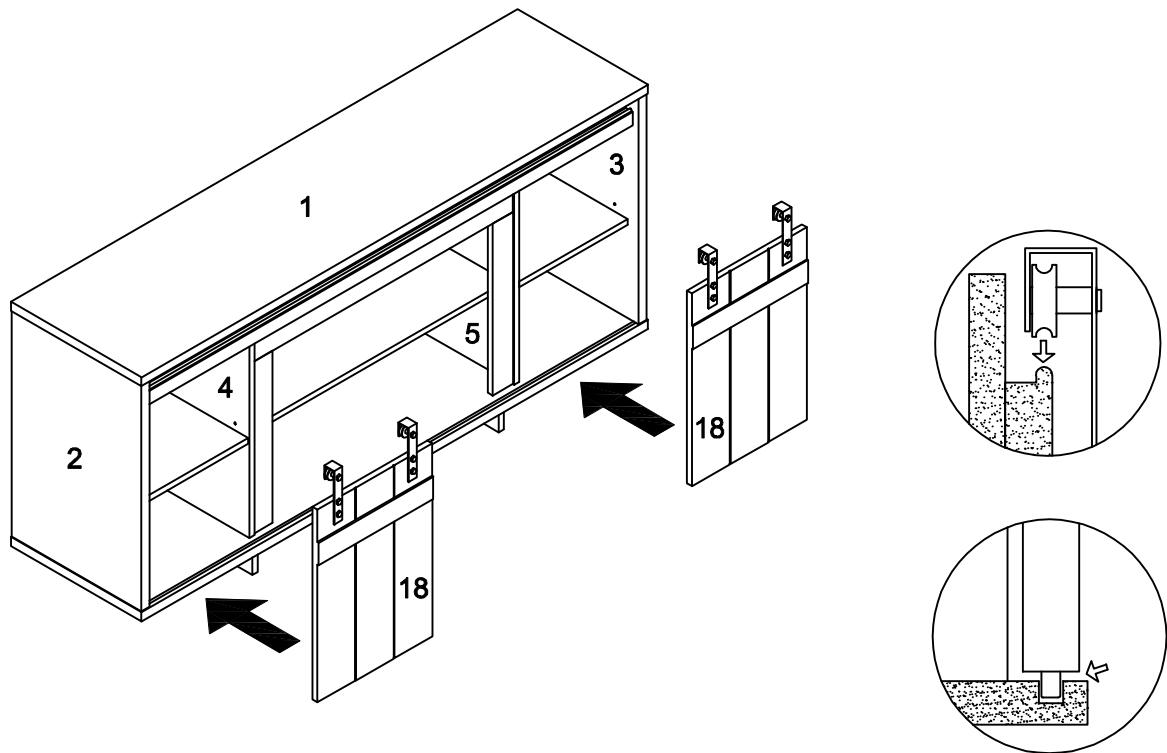
STEP 12.



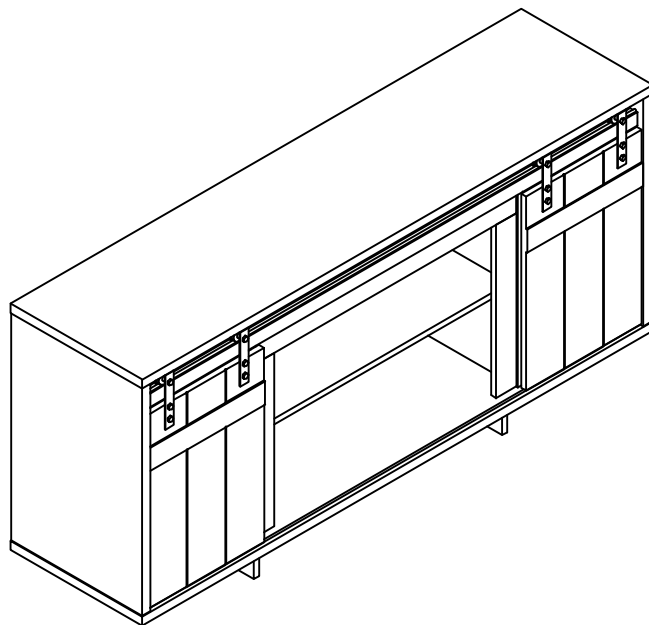
W		4pcs
J		8pcs
K		8pcs
L		2pcs
F		4pcs

How to Assemble:

STEP 13.

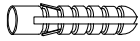


STEP 14.

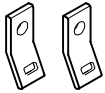


ANTI-TIPPING STRAP INSTRUCTION

HARDWARE (INCLUDED) :



DRYWALL ANCHOR $\phi 8 \times 40$ X 1PC



METAL BRACKETS $12 \times 12 \times 1$ X 2PCS



DRYWALL SCREW $\phi 5 \times 40$ X 1PC

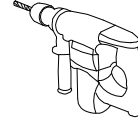


STRAP $197 \times 5 \times 1$ X 1PC



FLATHEAD SCREW $\phi 4 \times 25$ X 1PC

TOOLS NEEDED (NOT INCLUDED) :

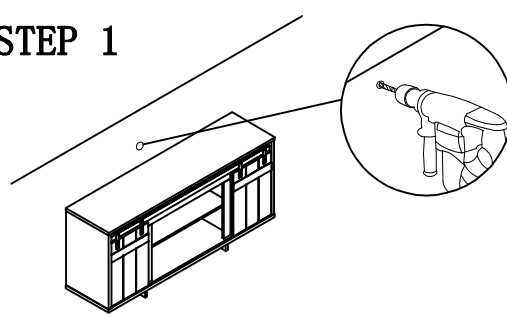
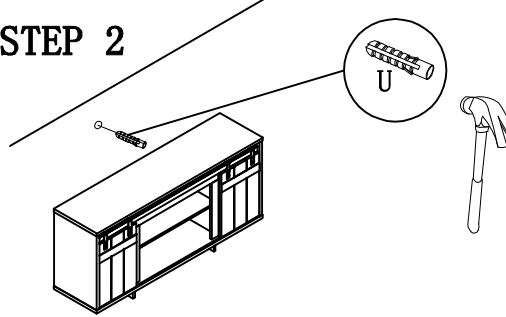
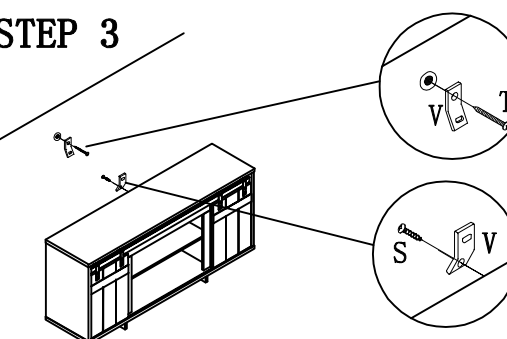
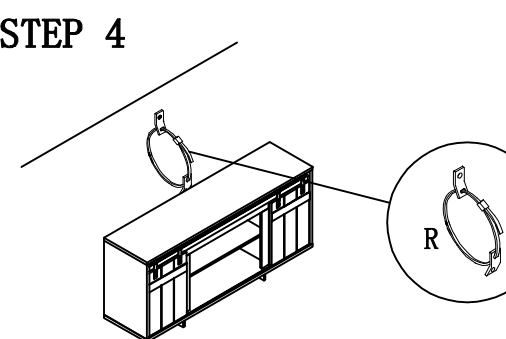


DRILL & DRILL BIT



LIGHT HAMMER

Note: Hardware included only compatible with standard drywalls.

<p>STEP 1</p>  <p>1. Find spot on wall 1" below top of item. 2. Using a drill bit slightly thinner than anchor, drill hole into drywall.</p>	<p>STEP 2</p>  <p>1. Use a light hammer to tap anchor into hole. 2. Anchor should fit snugly. If hole is too small, drill again to increase hole size. Do not force anchor into wall.</p>
<p>STEP 3</p>  <p>1. Insert drywall screw into metal bracket and into drywall anchor. 2. Insert flathead screw into second metal bracket and into back of item, along top edge.</p>	<p>STEP 4</p>  <p>1. Insert strap thru bracket attached to wall, then thru bracket on item, and into head of strap. 2. pull lightly til strap stops. Assembly is complete.</p>