
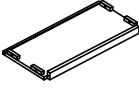

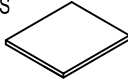
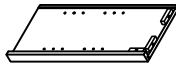
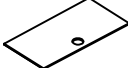
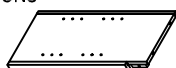
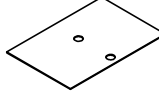

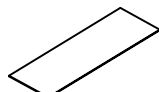
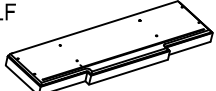


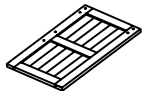
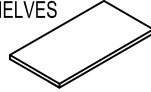


ASSEMBLY INSTRUCTION FOR ACME FURNITURE











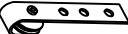


MODEL# 91618 TV STAND

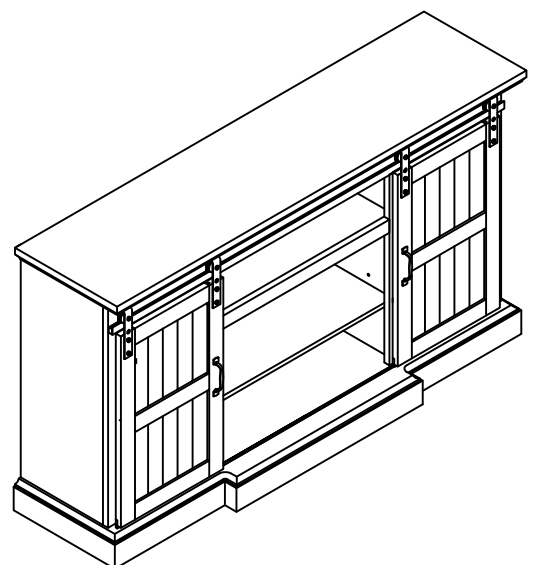
Thank you for purchasing this quality product. Be sure to check all packing material carefully for small parts which may have come loose inside the carton during shipment. Separate, identify and count all parts and metal hardware. Compare with parts list to be sure all parts are present. If any part(s) are missing or damaged, please contact your local furniture dealer. For efficient and speedy service, please indicate the model number and code letter of part(s) needed.

*** Do not fully tighten screws until fully assembled ***

COMPONENT PARTS					
DECERPTION	PART NAME	Q'TY(PCS)	DECERPTION	PART NAME	Q'TY(PCS)
①	TOP 	1	⑧	MIDDLE FIX SHELVES 	1
②	LSF SIDE PANEL 	1	⑨	SIDE ADJUSTABLE SHELVES 	4
③	RSF SIDE PANEL 	1	⑩	MIDDLE BACK PANEL 1 	1
④	LSF INTERIOR PARTITIONS 	1	⑪	MIDDLE BACK PANEL 2 	1
⑤	RSF INTERIOR PARTITIONS 	1	⑫	SIDE BACK PANEL 	2
⑥	BOTTOM SHELF 	1	⑬	LEFT DOOR 	1
⑦	FRONT RAIL 	1	⑭	RIGHT DOOR 	1
			⑮	MIDDLE ADJUSTABLE SHELVES 	1

HARDWARE REQUIRED:

- ①  BOLT Ø1/4*1" - 21PCS
- ②  BOLT Ø1/4*1/2" - 8PCS
- ③  BOLT Ø1/4*3/4" - 4PCS
- ④  DOWEL Ø8*30MM - 4PCS
- ⑤  ALLEN KEY - 1PC
- ⑥  SHELF PINS - 20PCS
- ⑦  METAL BRACKETS - 2PCS
- ⑧  PLASTIC FASTENER - 16PCS
- ⑨  SCREW 6*3/4"L- 16PCS
- ⑩  SCREW 7*5/8"L- 2PCS
- ⑪  PULLEY - 4PCS
- ⑫  DOOR KNOBS - 2PCS
- ⑬  BOLT Ø 5/32"*1"L- 4PCS



Attention:

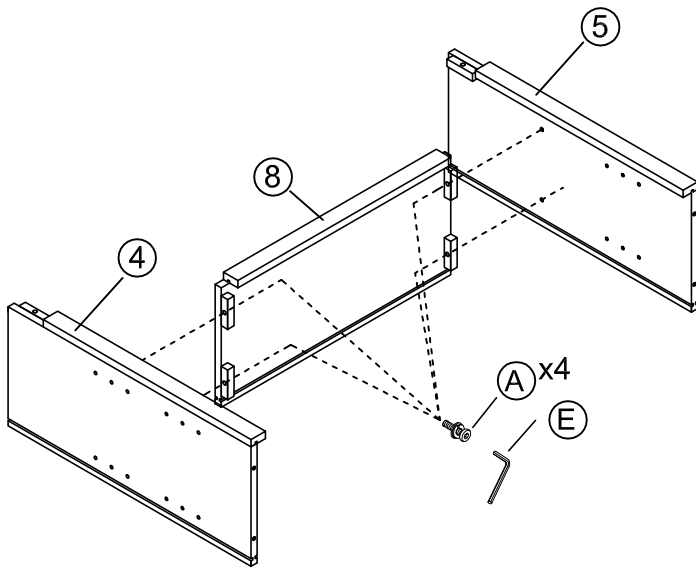
*** Mattresses not included.

*** Some number parts listed on the instruction sheet may not be in parts bag as they may already be assembled.

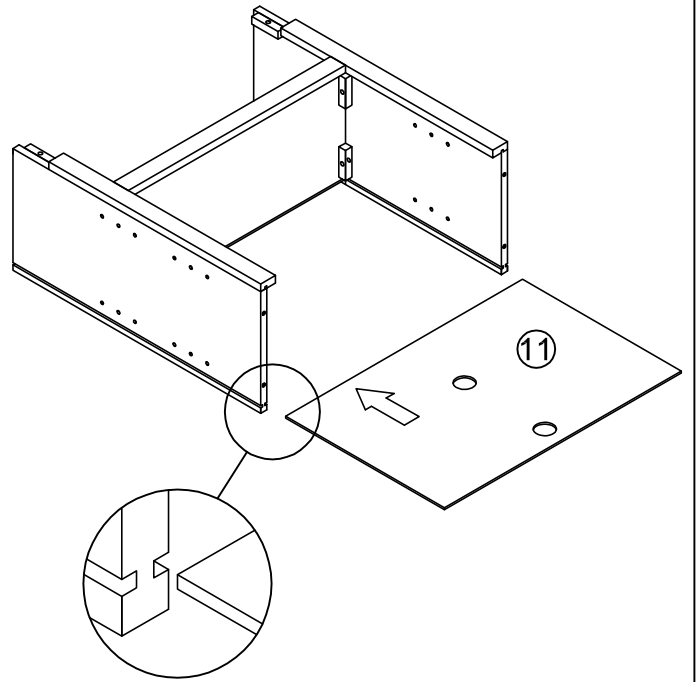
Carefully check parts and packing materials prior to ordering replacements.

How to Assemble:

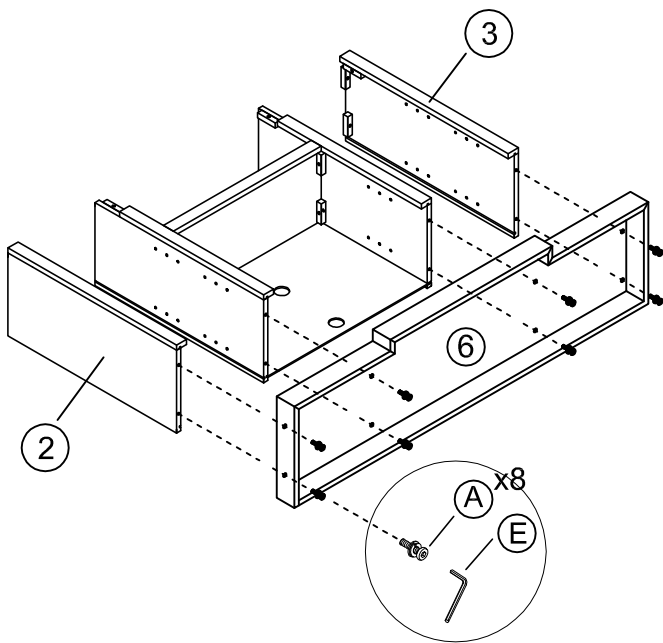
STEP 1:



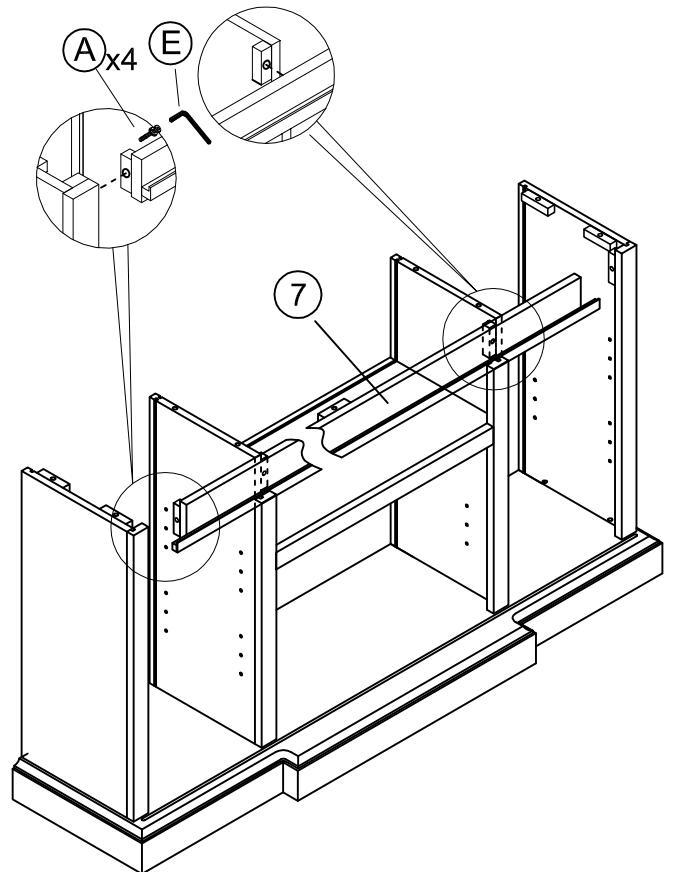
STEP 2:



STEP 3:

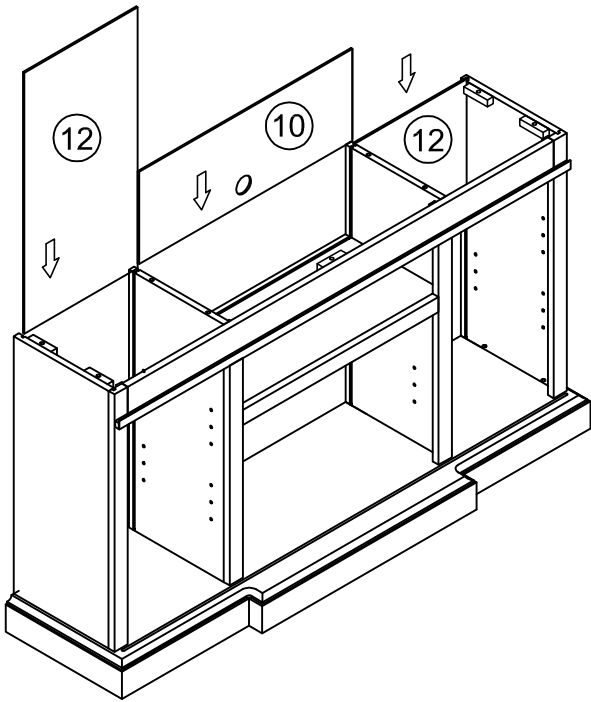


STEP 4:

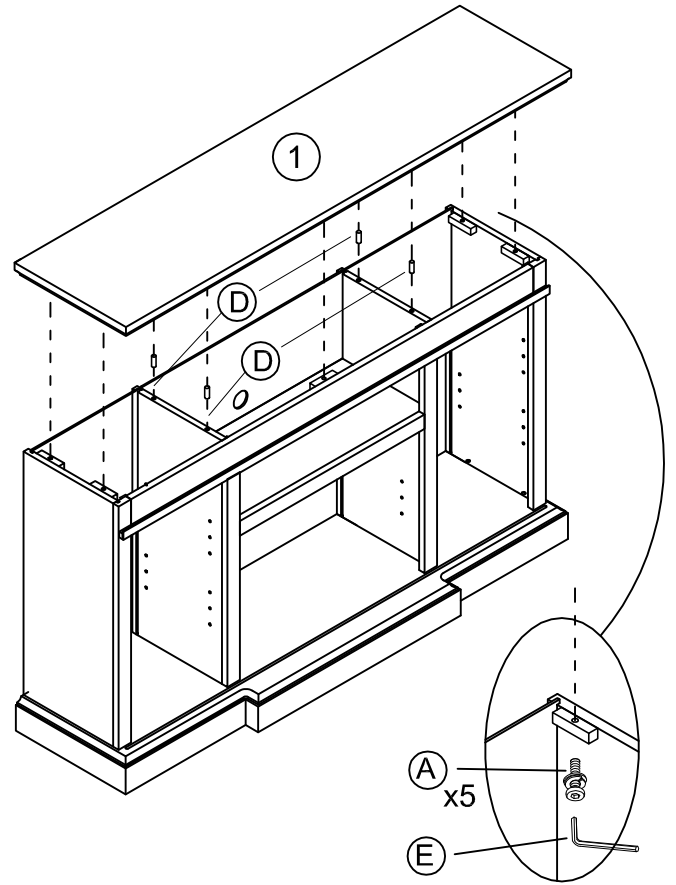


How to Assemble:

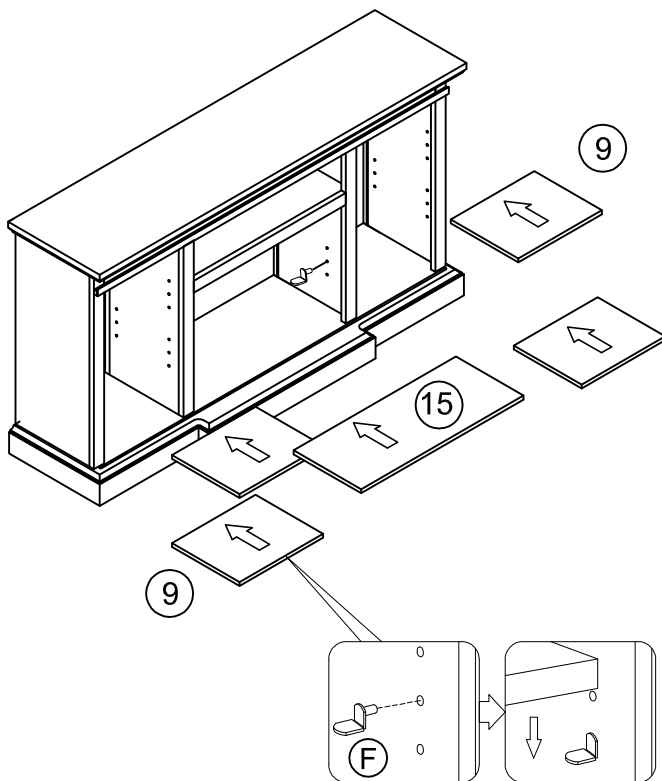
STEP 5:



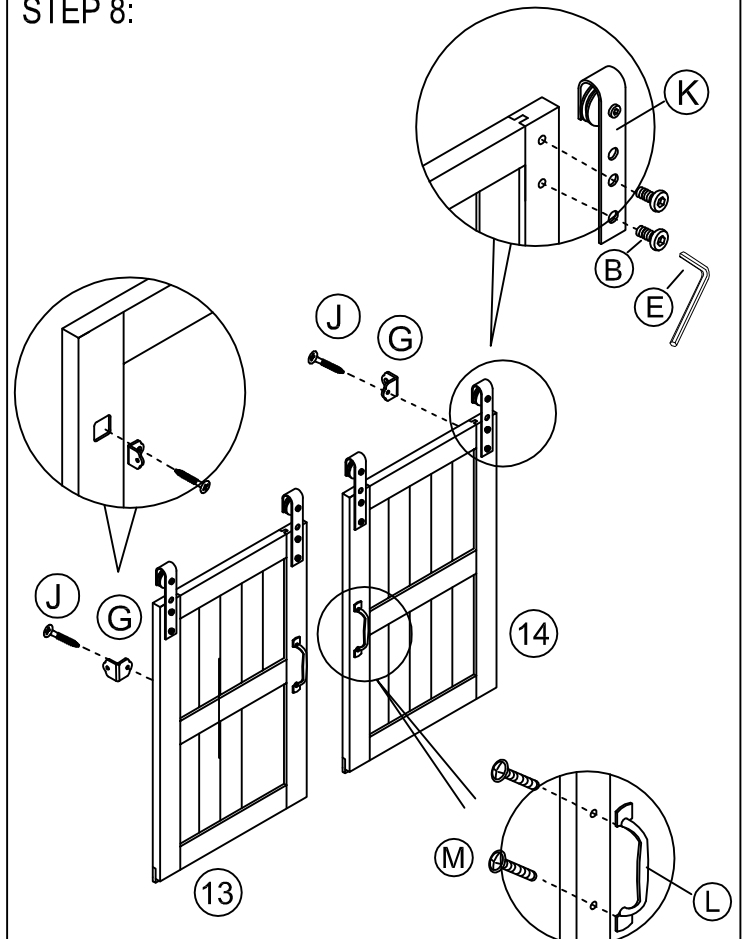
STEP 6:



STEP 7:

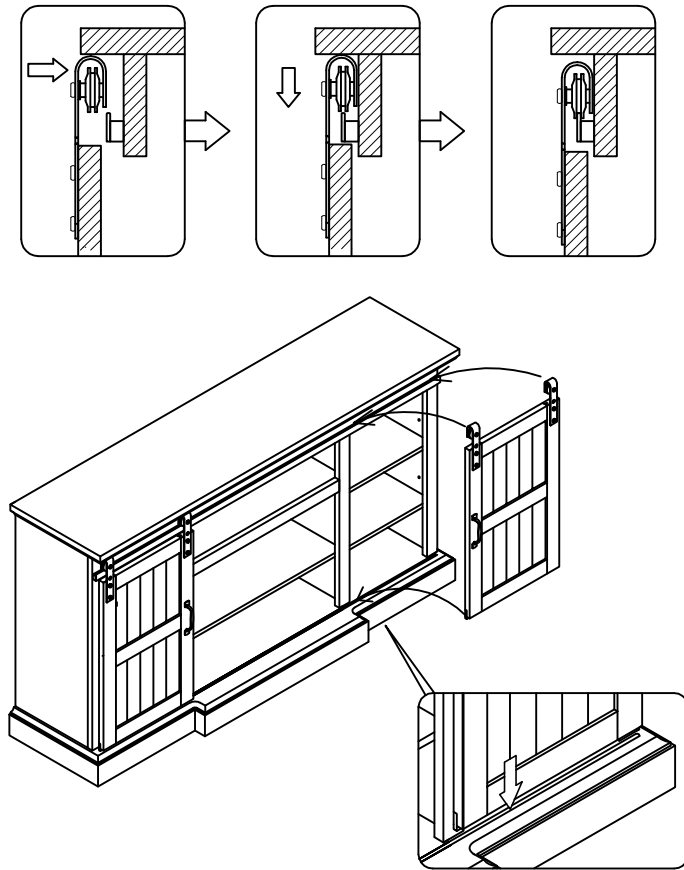


STEP 8:

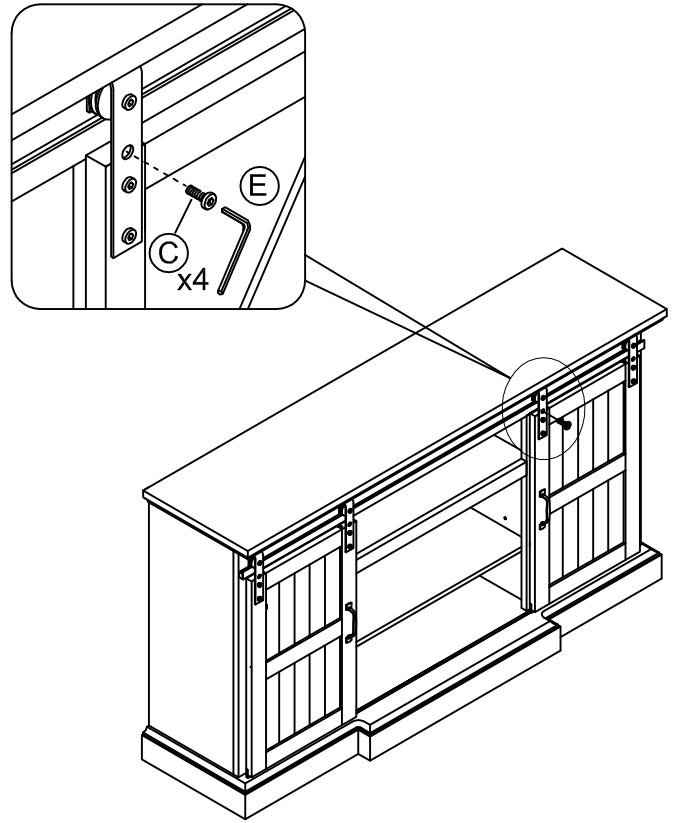


How to Assemble:

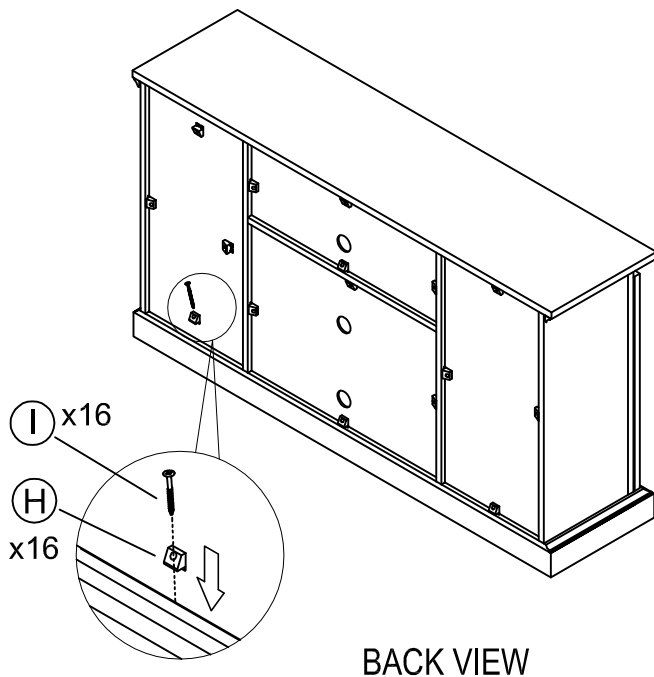
STEP 9:



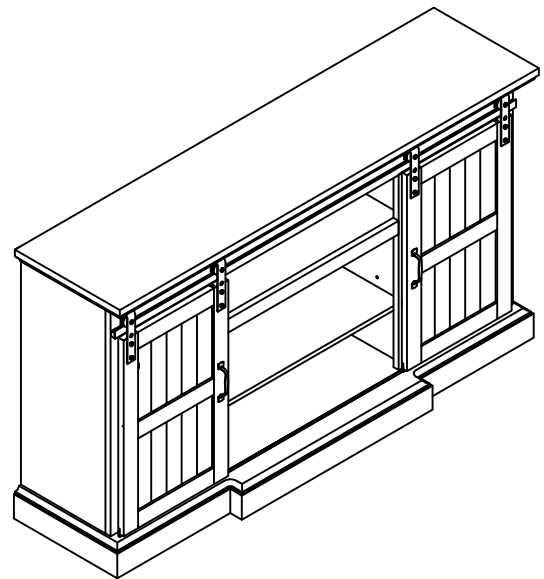
STEP 10:



STEP 11:



STEP 12:



ASSEMBLY COMPLETED!