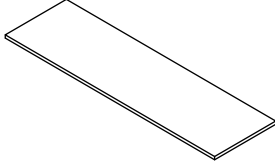
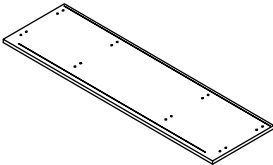

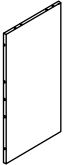


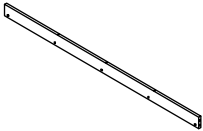
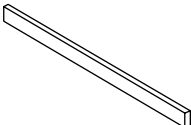


ASSEMBLY INSTRUCTION FOR ACME RURNITURE

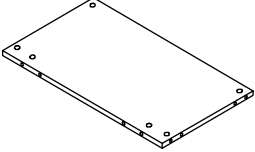
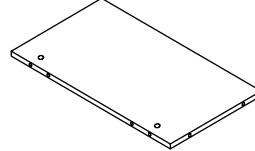


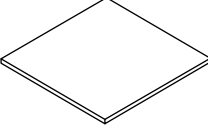
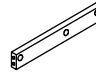
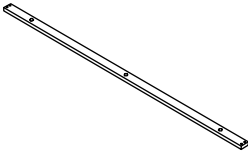

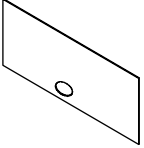
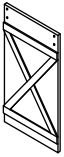
MODEL# 91860 TV STAND

Thank you for purchasing this quality product. Be sure to check all packing materials carefully for small parts which may have come loose inside the carton during shipment. Separate, identify, and count all parts and metal hardware. Compare with parts list to be sure all parts are present. If any part(s) are missing or damaged, please contact your local furniture dealer. For efficient and speedy service, please indicate the model number and code letter of the part(s) needed.


***** Do not fully tighten screws until fully assembled *****

COMPONENT PARTS		
DECERPTION	PART NAME	Q'TY(PCS)
1	top 	1 PC
2	botom panel 	1 PC
3	left side panel 	1 PC
4	right side panel 	1 PC
5	left divider panel 	1 PC
6	right divider panel 	1 PC
7	large top slat 	1 PC
8	small top slat 	2 PCS

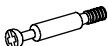

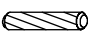



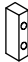
COMPONENT PARTS

DECERPTION	PART NAME	Q'TY(PCS)
9	middle fixed shelf 	1 PC
10	middle fixed shelf 	1 PC
11	left front slat 	1 PC
12	right front slat 	1 PC
13	adjustable shelf 	2 PCS
14	side bottom support 	2 PCS
15	front &back bottom support 	2 PCS
16	side back panel 	2 PCS
17	middle back panel 	3 PCS
18	left sliding door 	1 PC




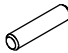



COMPONENT PARTS

DECERPTION	PART NAME	Q'TY(PCS)
19	right sliding door 	1 PC

HARDWARE REQUIRED:

A		6*35	44 PCS
B		159.5	44 PCS
C		6*30	49 PCS
D		4*12	4 PCS
E		4*30	4 PCS
F			4 PCS
G			2 PCS

HARDWARE REQUIRED:

H			4 PCS
I			8 PCS
J		6*20	13 PCS
K		5*20	8 PCS
L			1 PC
M			1 PC
N			2 PCS

Attention:

***Mattresses not included.

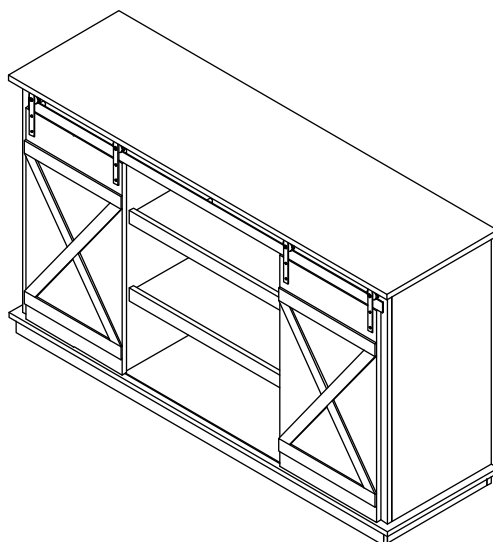
***Some number parts listed on the instruction sheet may not be in parts bag as they may already be assemble. Carefully check parts and packing materials prior to odering replacements.

***Two people are recommended for ease in the assembly of this product.

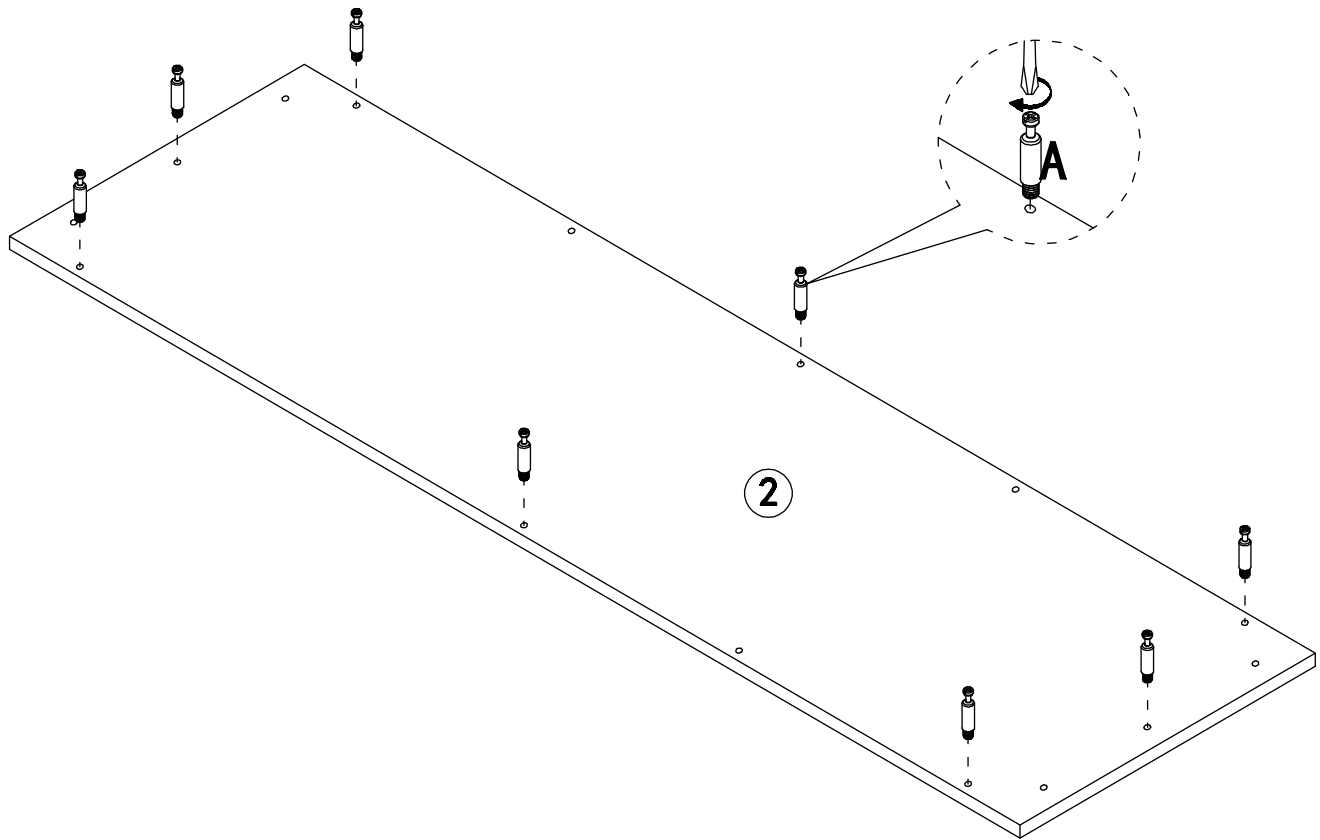
***A Phillips head screwdriver is required for the assembly of this product (not included).

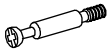
***Power tools should not be used to assemble this product.

***Estimated time for assembly:120 mins.

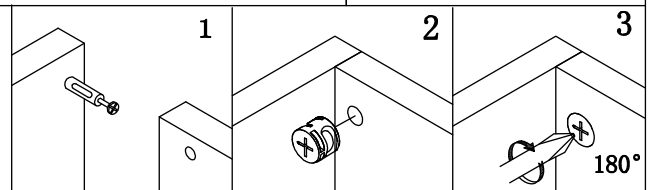
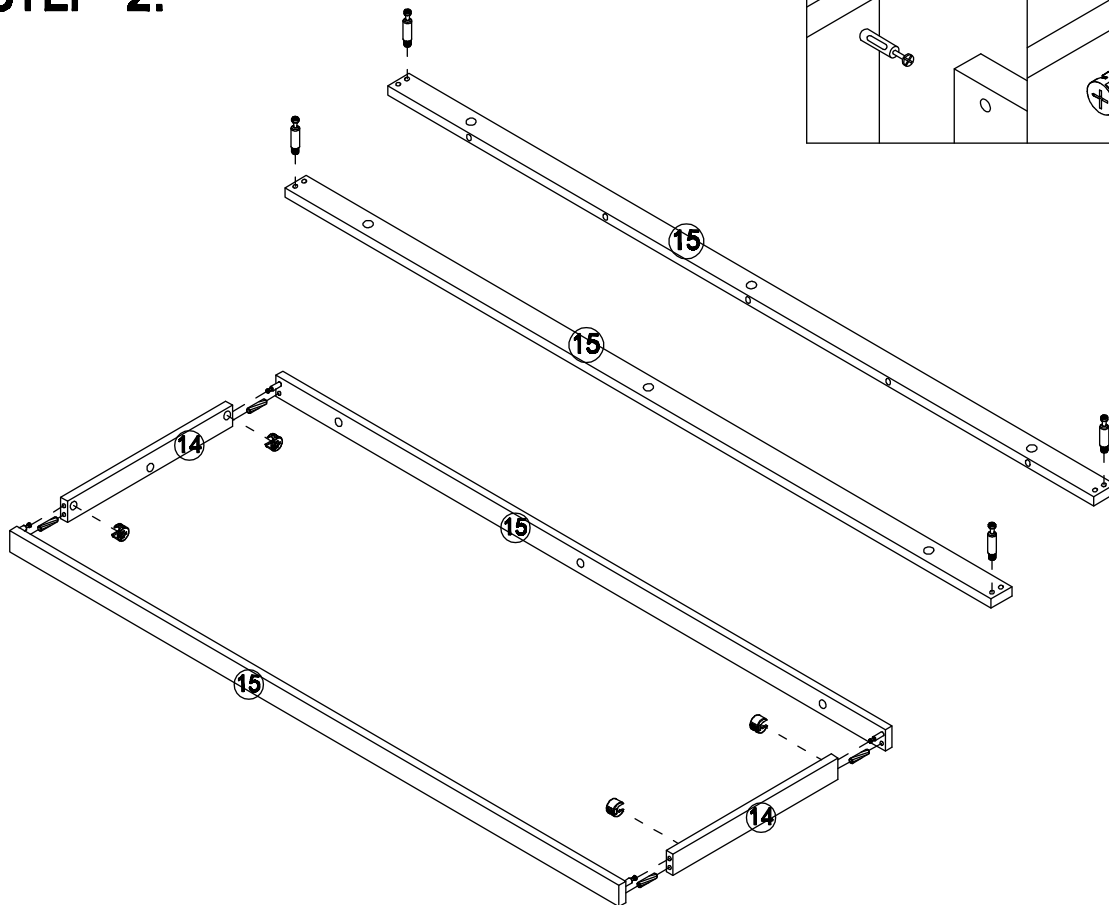


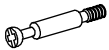

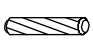
STEP 1.



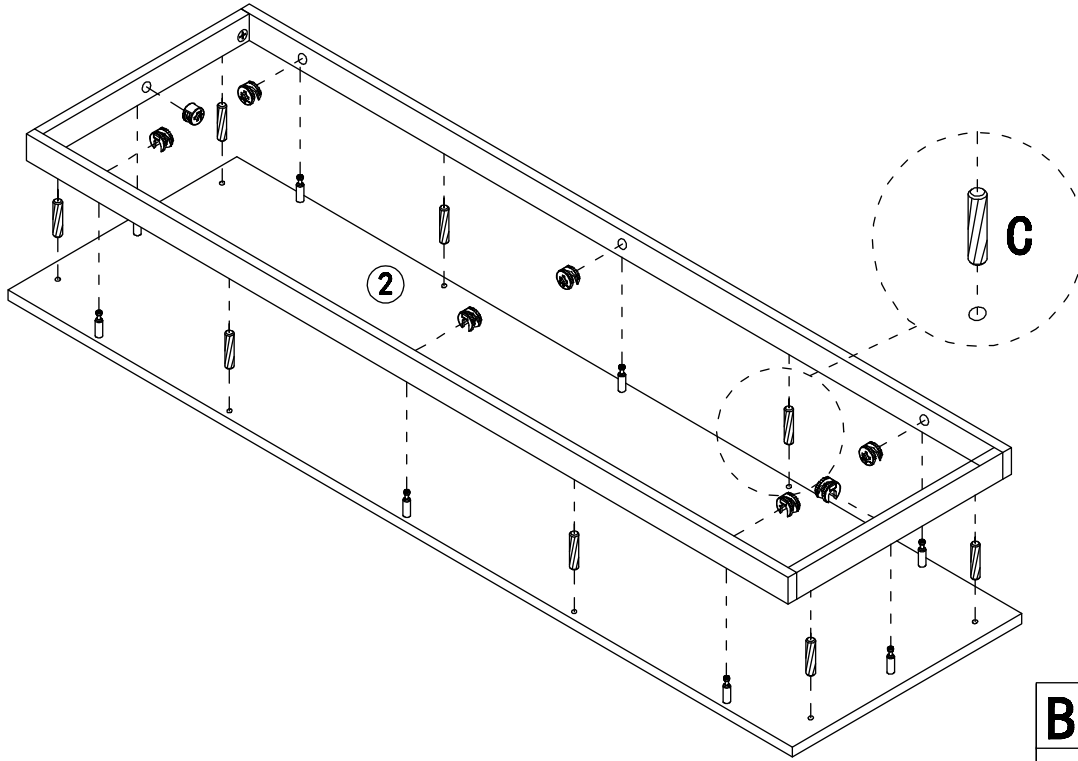
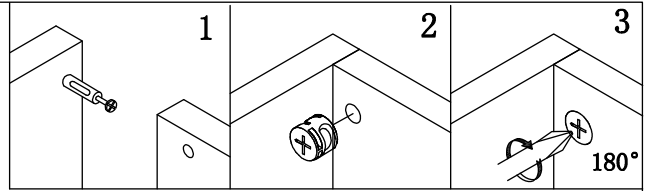
A  8 PCS


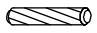
STEP 2.



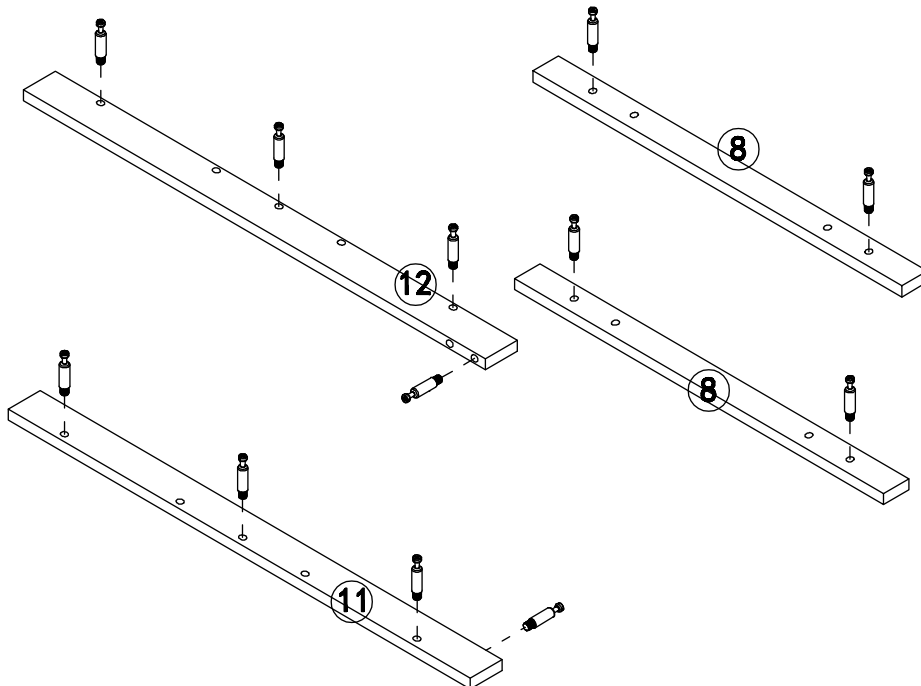
A  4 PCS
B  4 PCS
C  4 PCS

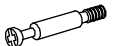
STEP 3.



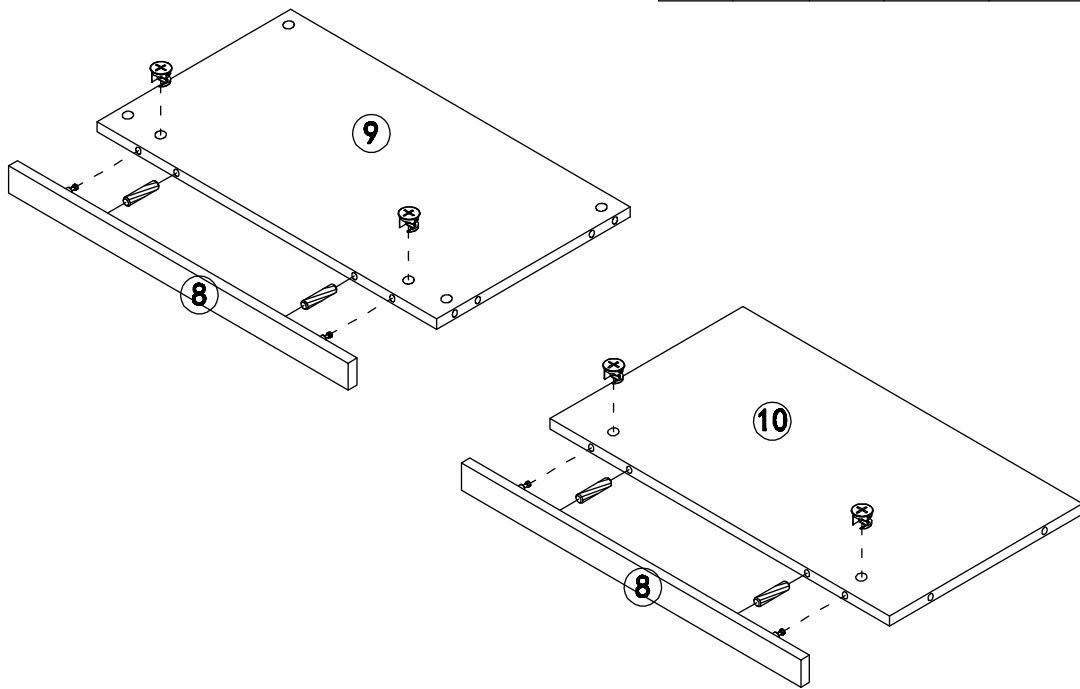
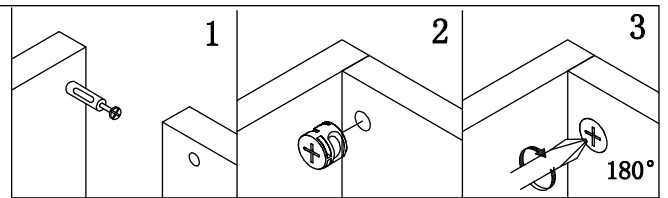
B		8 PCS
C		8 PCS

STEP 4.



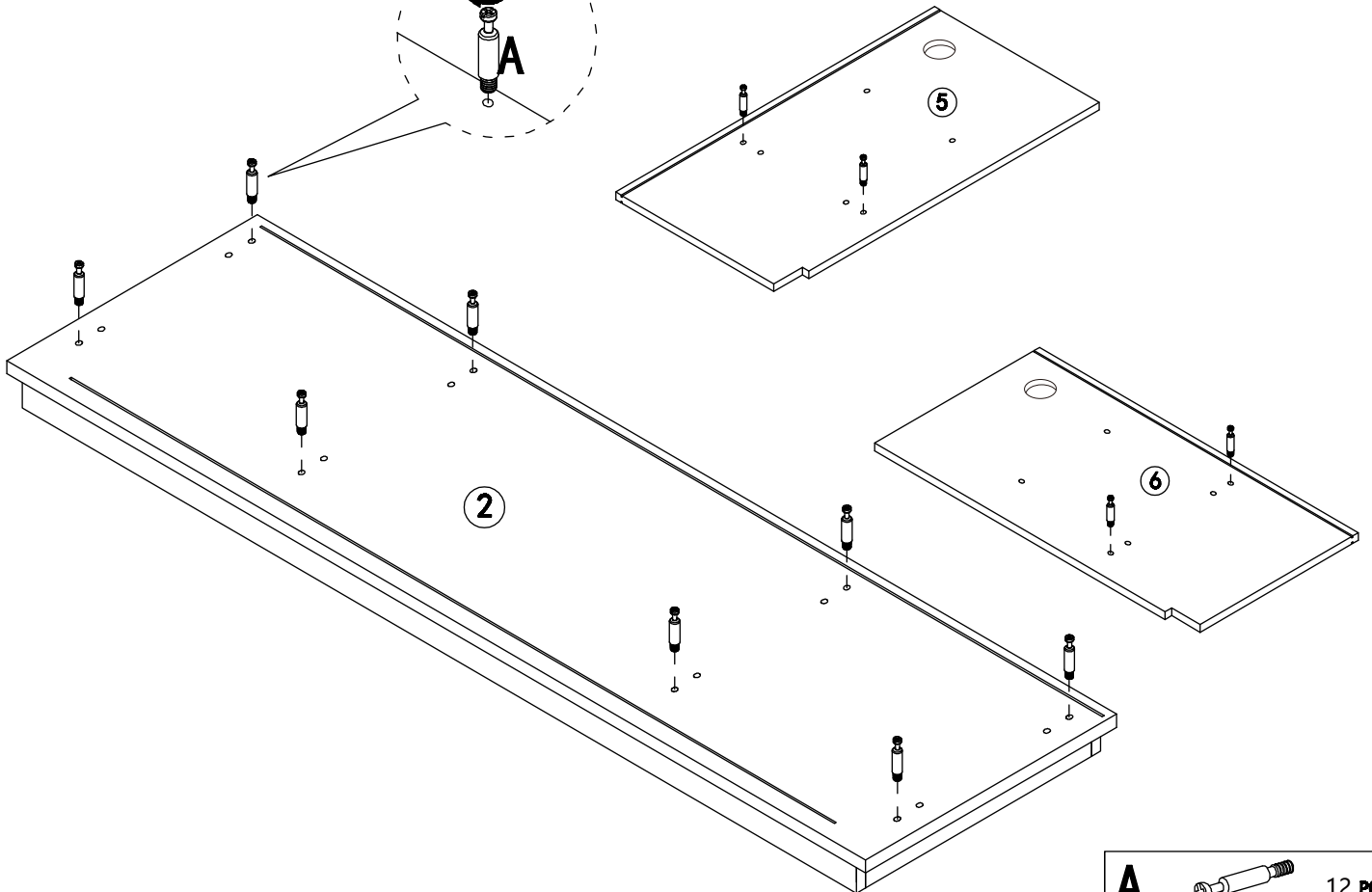
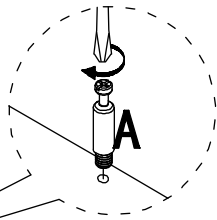
A		12 PCS
----------	---	--------

STEP 5.



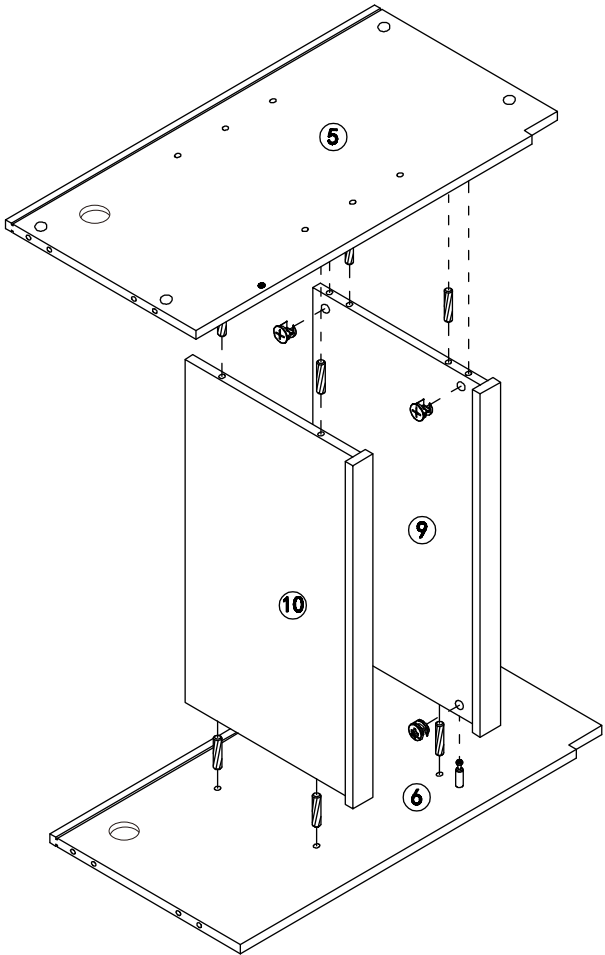
B		4 PCS
C		4 PCS


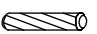
STEP 6.



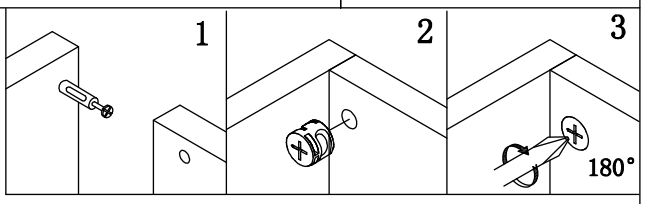
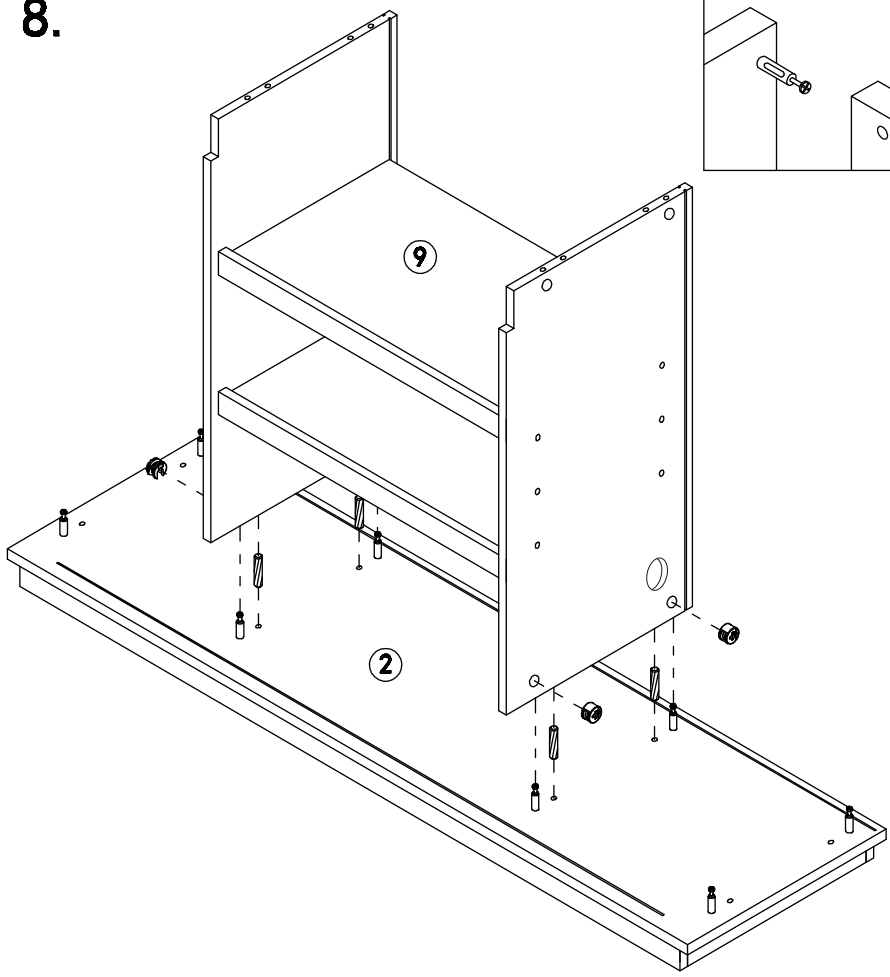
A		12 PCS
----------	--	--------



STEP 7.



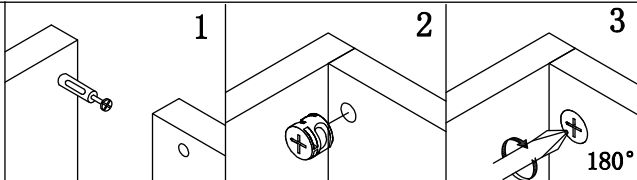
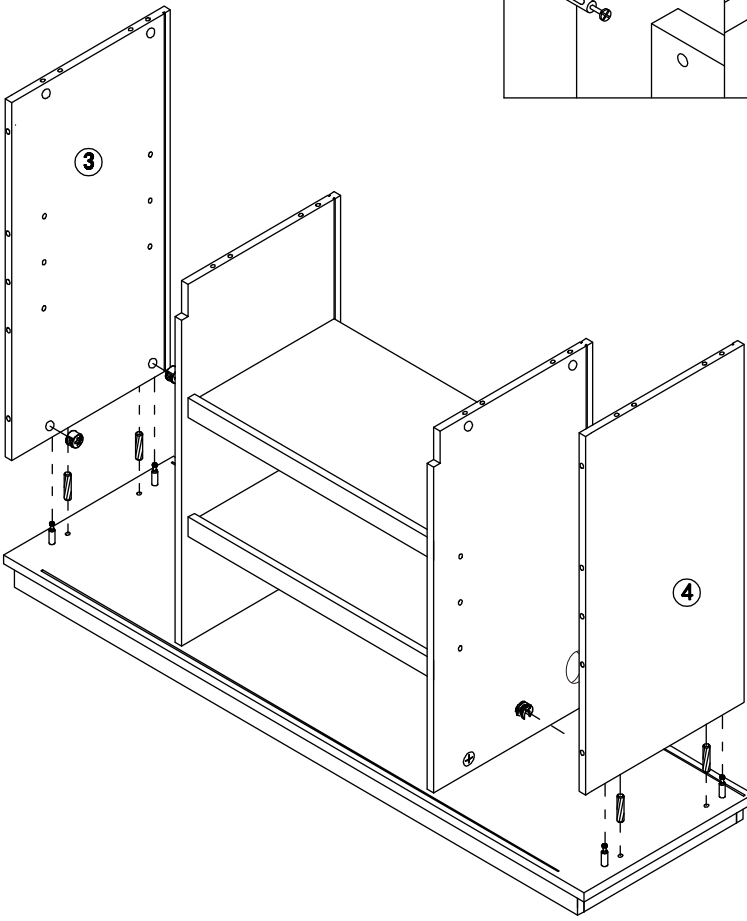
B		4 PCS
C		8 PCS


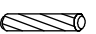
STEP 8.



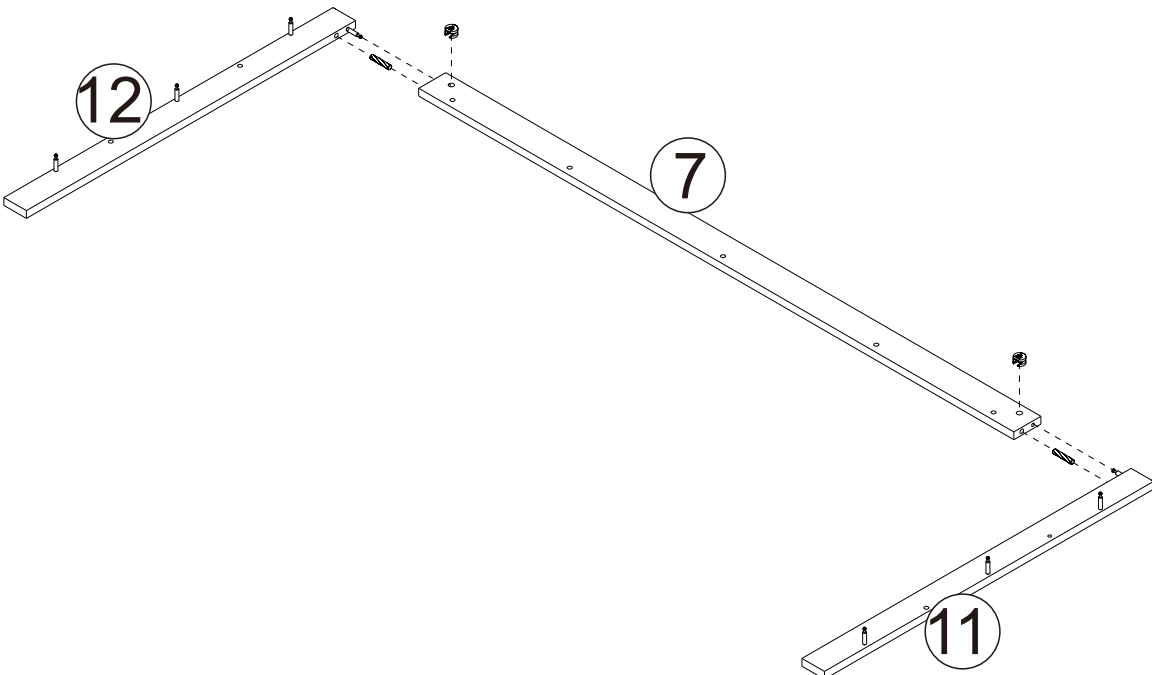
B		4 PCS
C		4 PCS


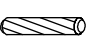
STEP 9.



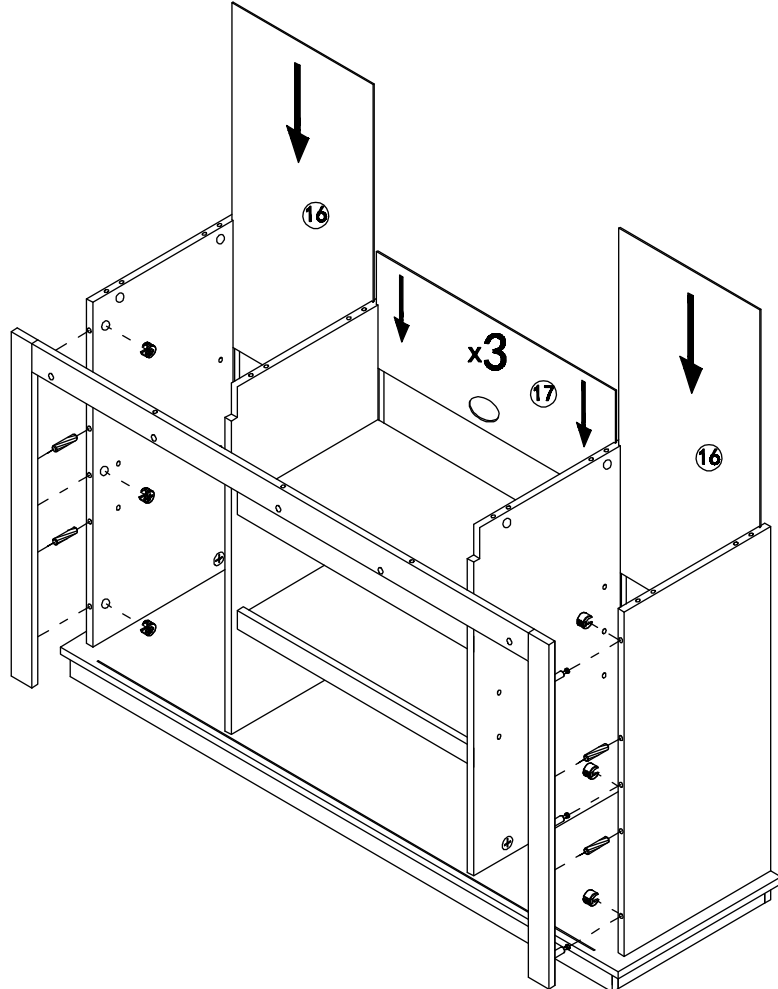
B		4 PCS
C		4 PCS


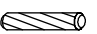
STEP 10.



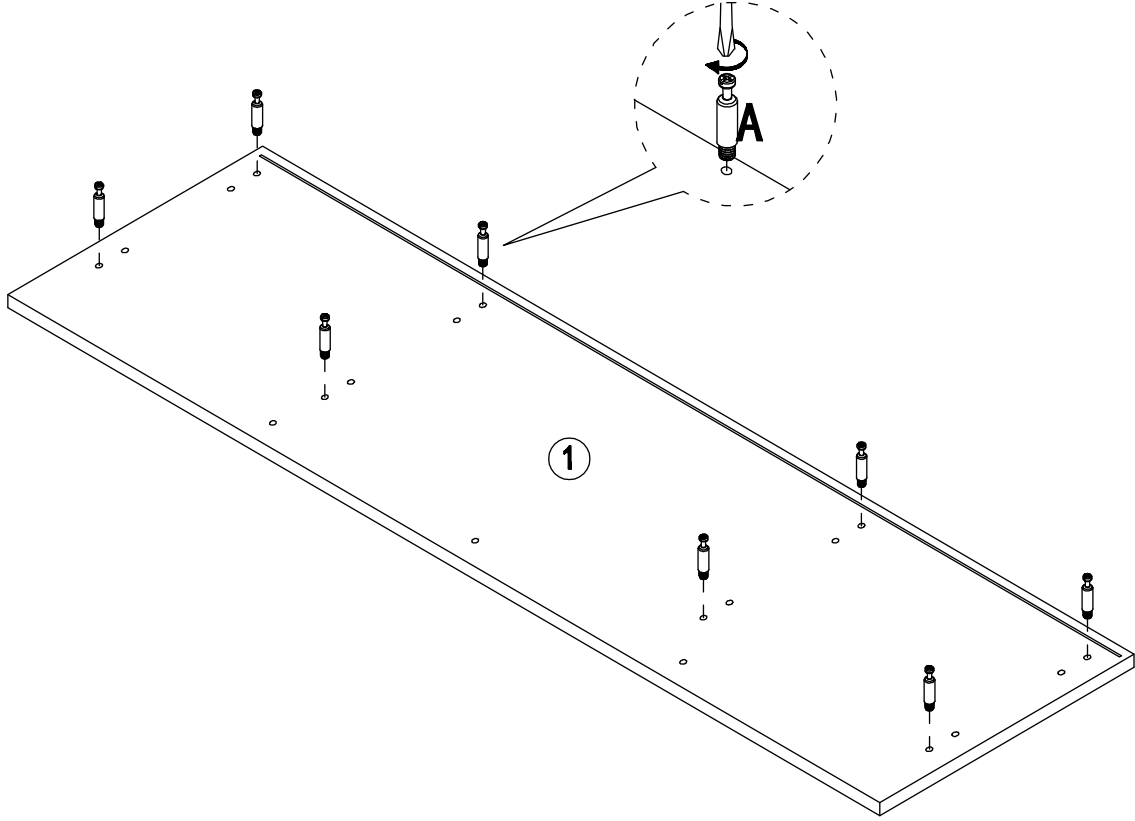
B		2 PCS
C		2 PCS


STEP 11.



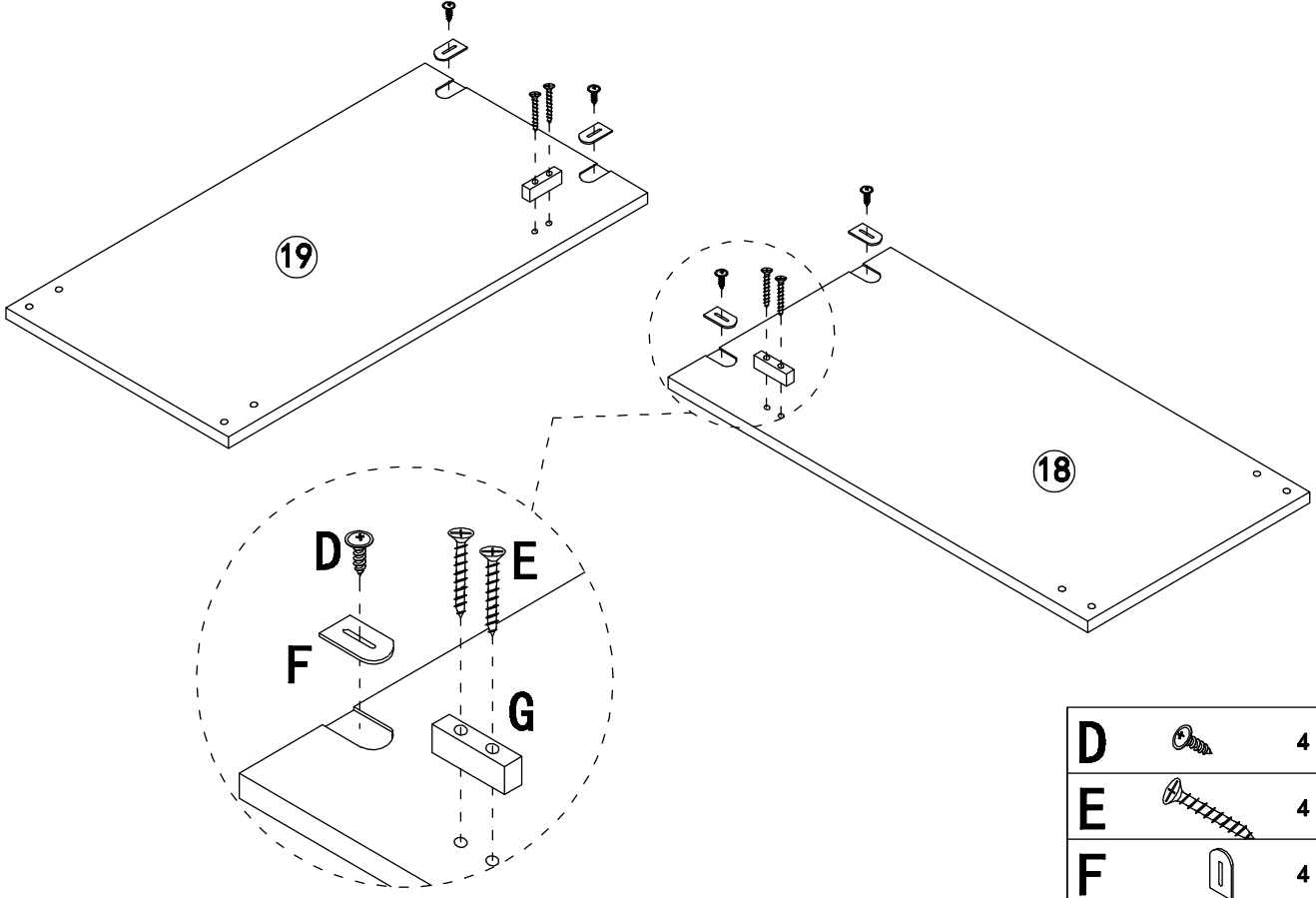
B		6 PCS
C		4 PCS

STEP 12.



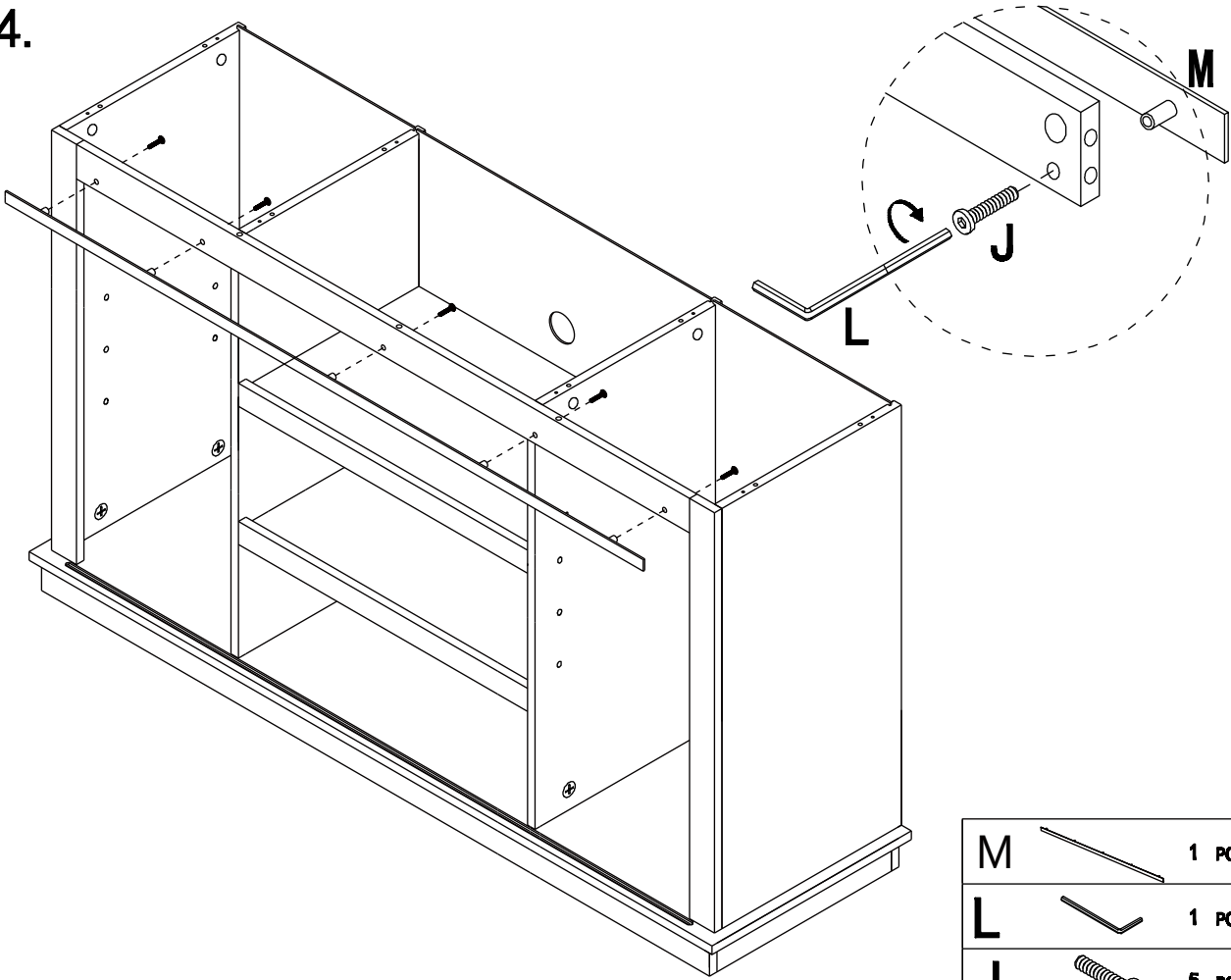
A		8 PCS
----------	---	-------

STEP 13.



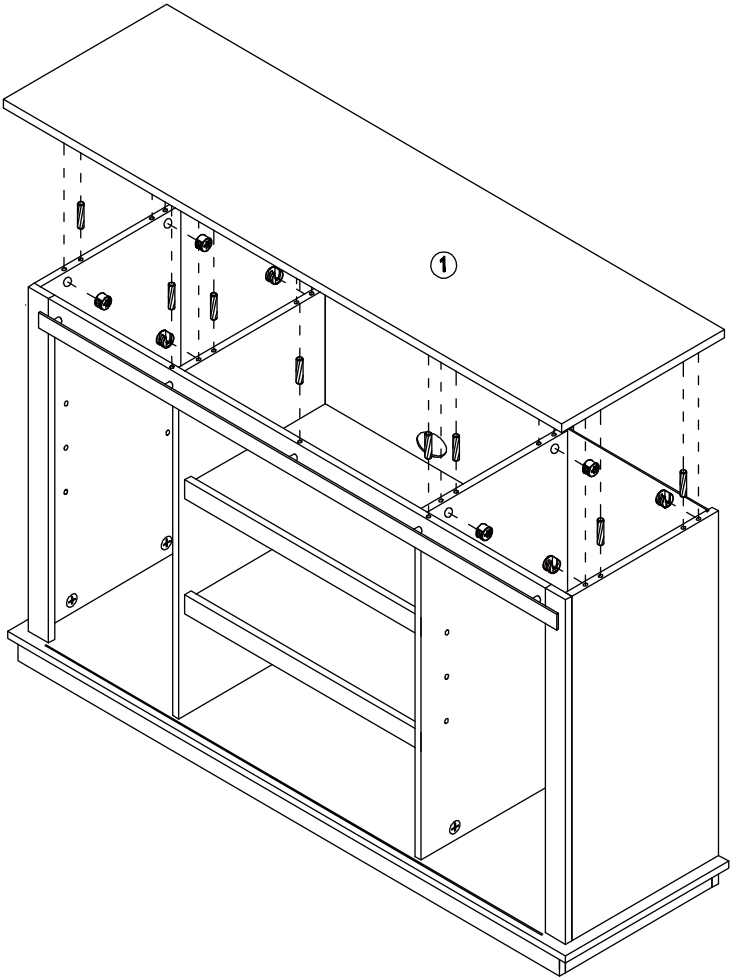
D		4 PCS
E		4 PCS
F		4 PCS
G		2 PCS


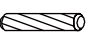
STEP 14.



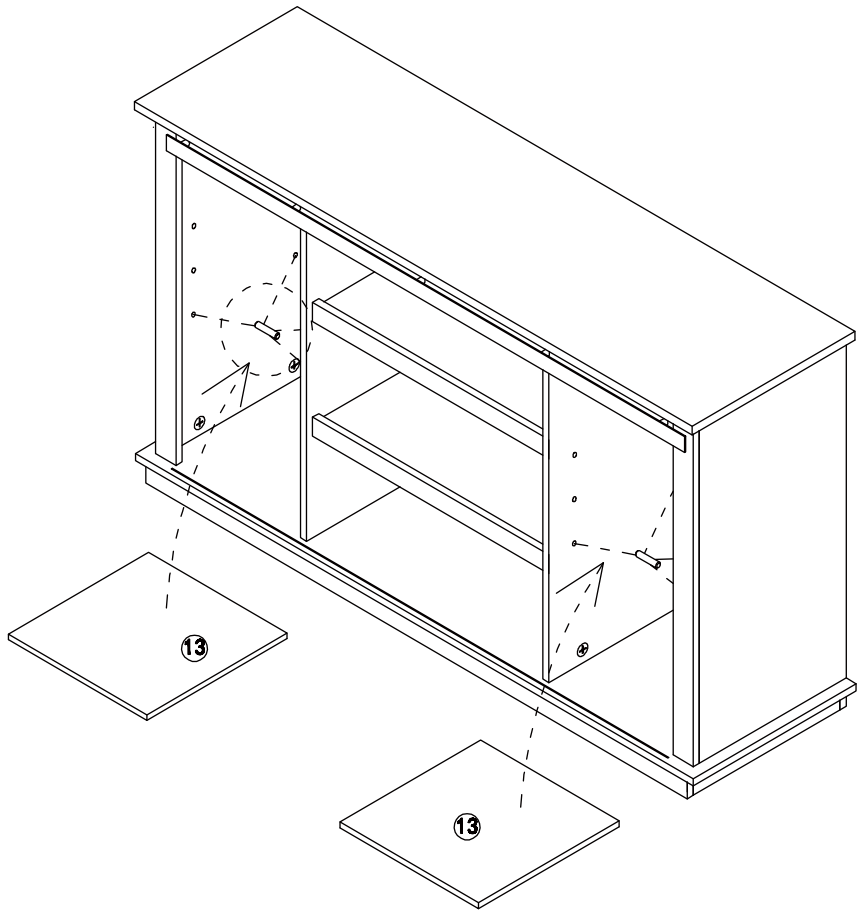
M		1 PCS
L		1 PCS
J		5 PCS


STEP 15.



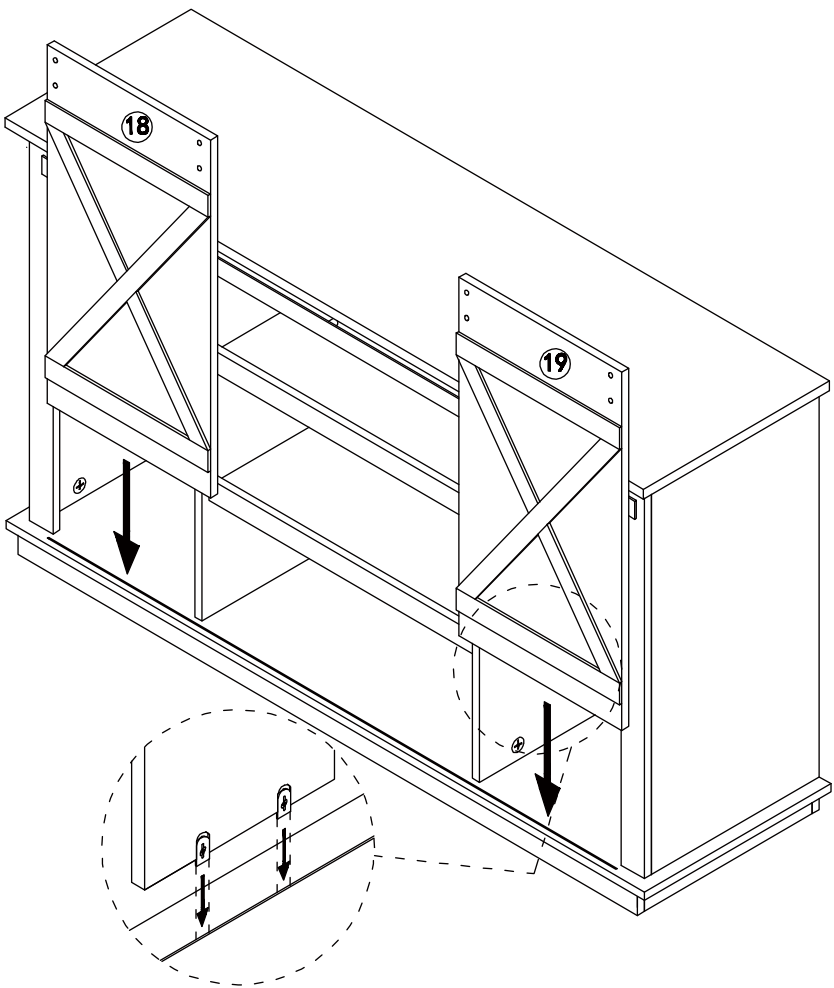
B		8 PCS
C		11 PCS

STEP 16.

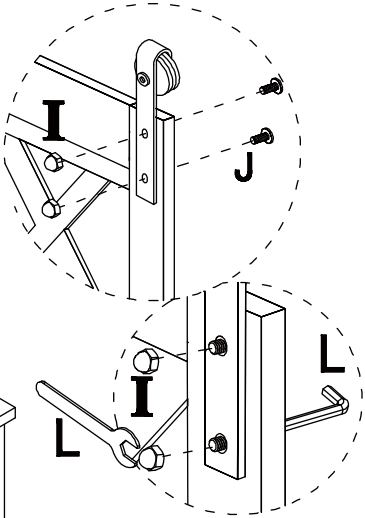
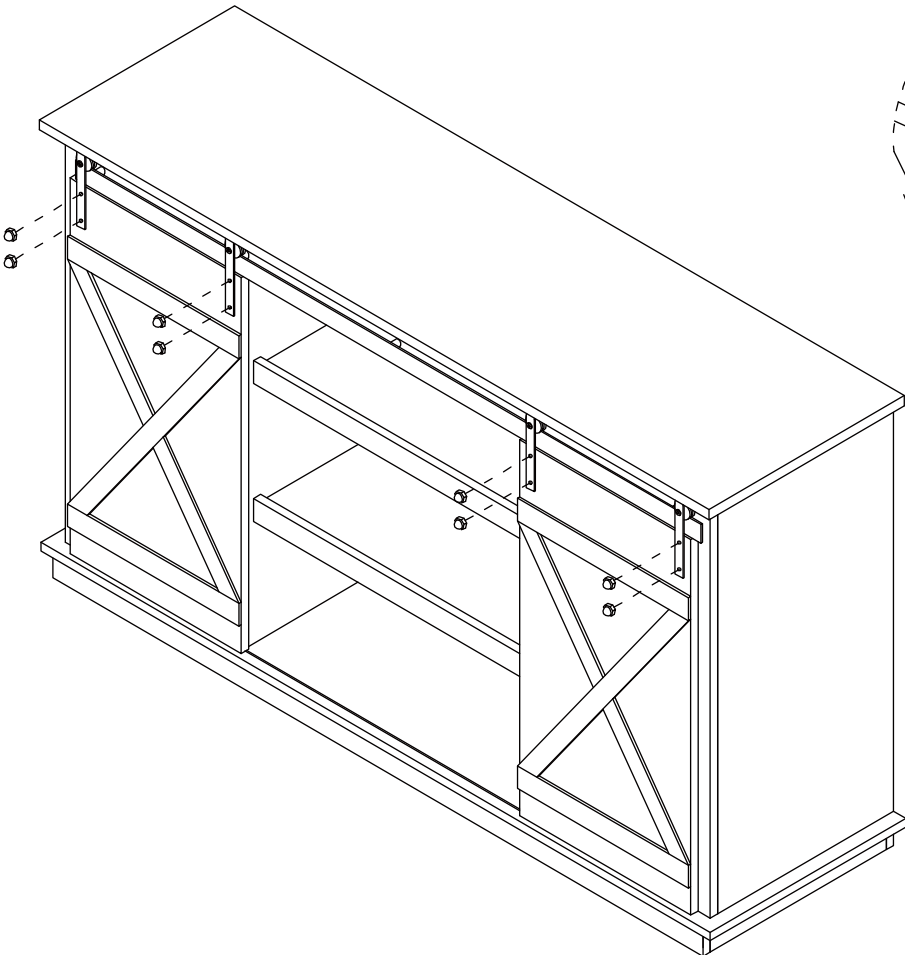





K		8 PCS
----------	---	-------

STEP 17.

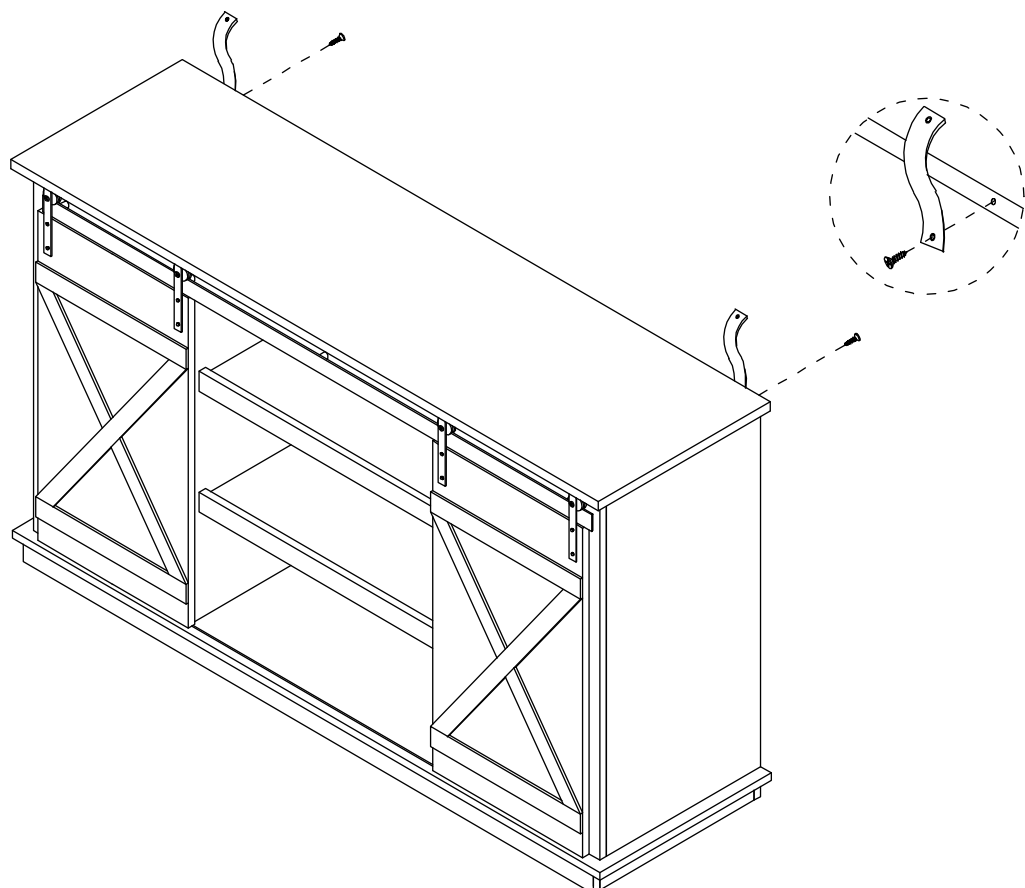


STEP 18.



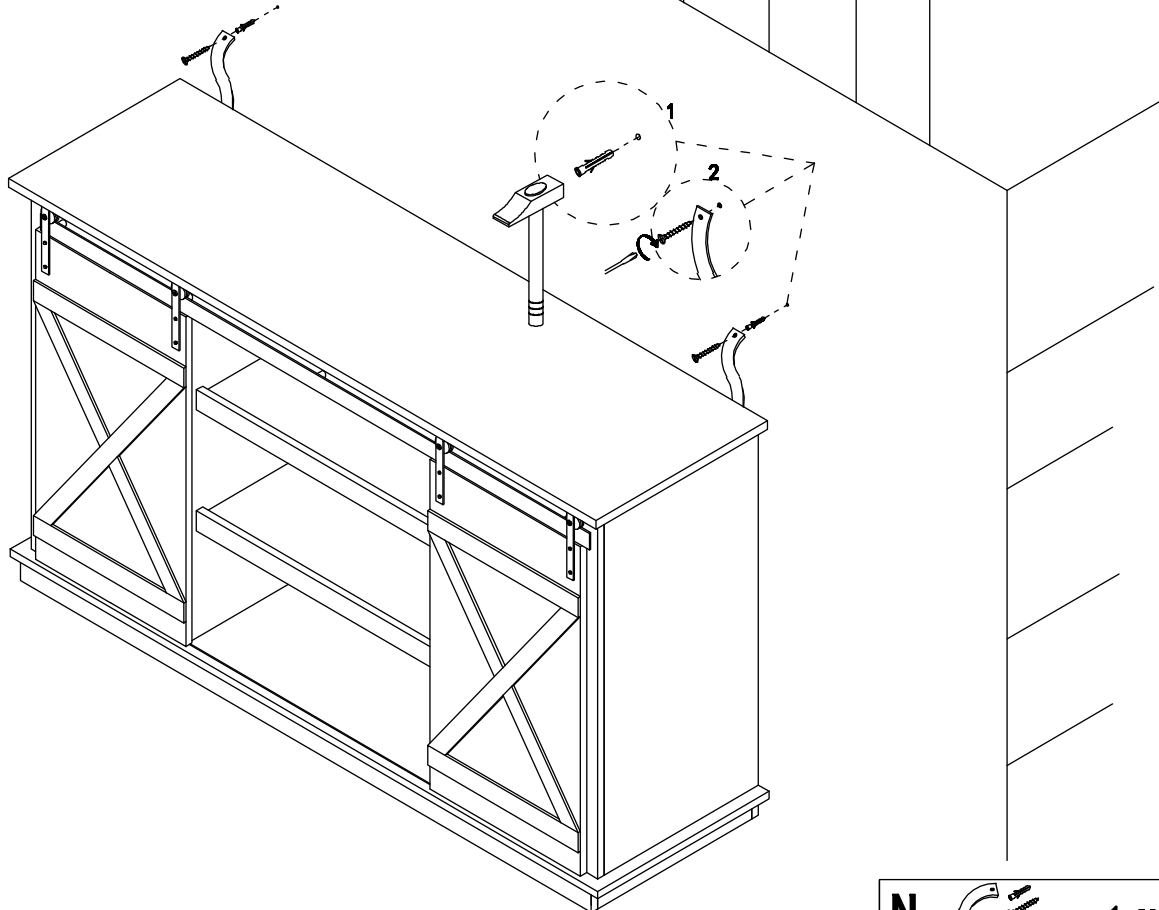
I		8 PCS
J		8 PCS
L		1 PCS

STEP 19.



N   1 PCS

STEP 20.



N   1 PCS