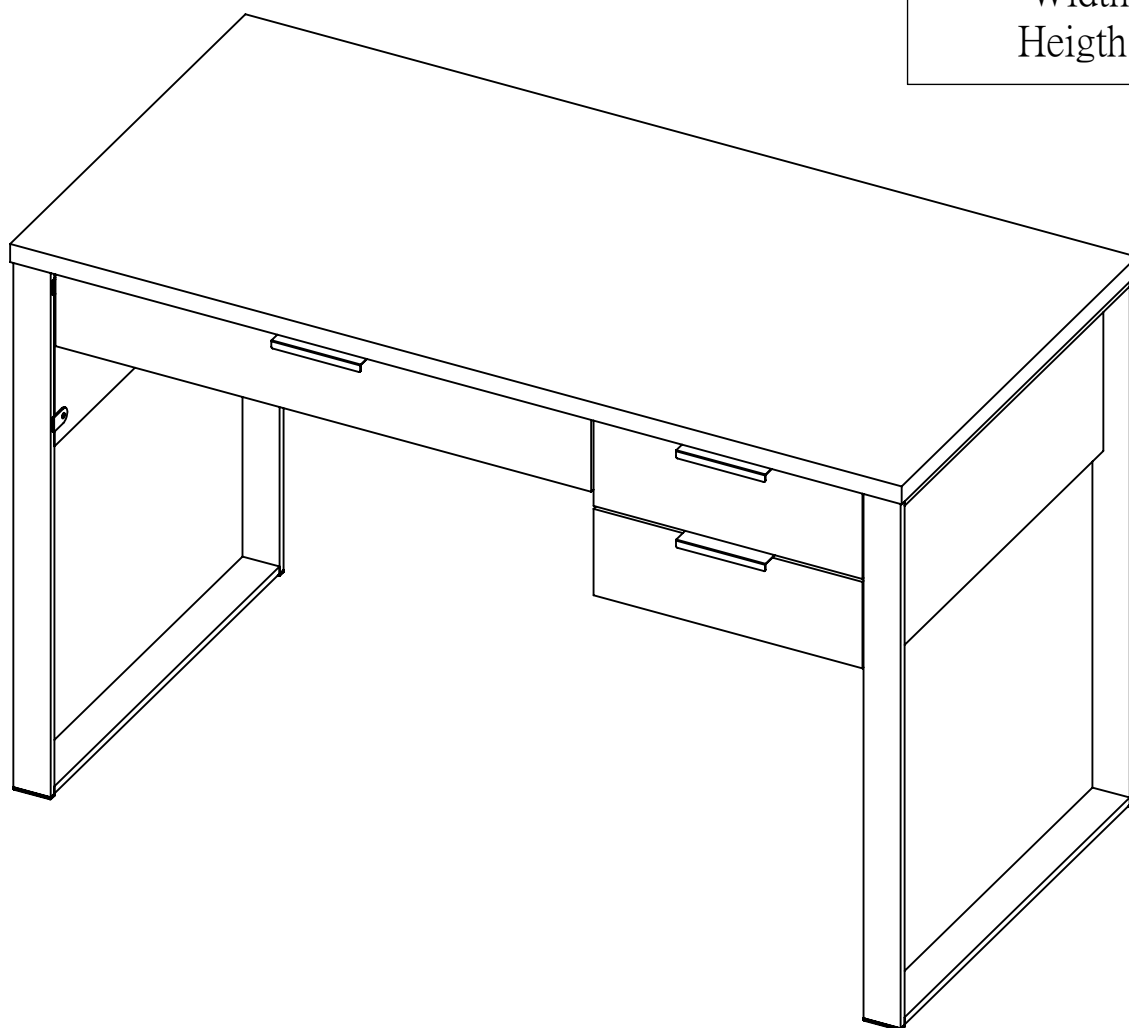


ASSEMBLY INSTRUCTION FOR ACME FURNITURE

MODEL#92725

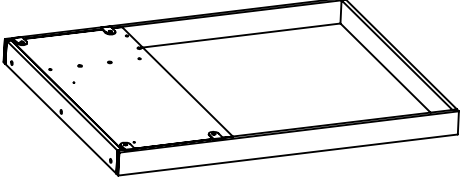
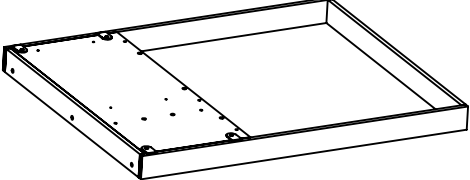
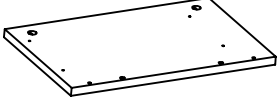
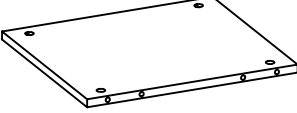
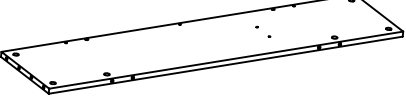
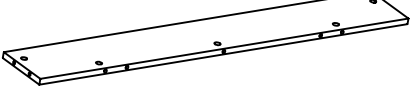
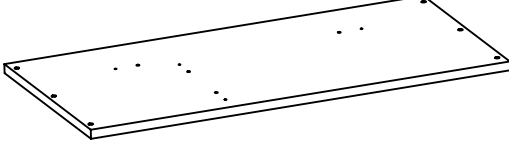
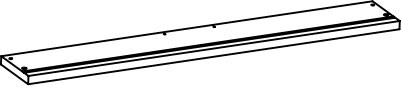

Thank you for purchasing the quality product. Be sure to check all packing material carefully for small parts which may have come loose inside the carton during shipment. Separate, identify and count all parts and metal hardware. Compare with all parts list to be sure all parts are present. If any part(s) are missing or damaged, please contact your local furniture dealer. For efficient and speedy service, please indicate the model number and code letter of part(s) needed.

*** Do not fully tighten screws until fully assembled ***



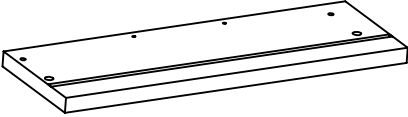



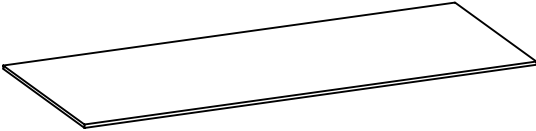
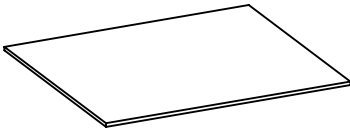


Desk
DIMENSIONS
Length - 47"
Width - 24"
Height - 30"













92725 COMPONENT PARTS

DESCRIPTION	PART NAME	Q'TY(PCS)
①	Left side 	1
②	Right side 	1
③	Mid side 	1
④	Bottom Plate 	1
⑤	Back plane 	1
⑥	Back support 	1
⑦	Top Plate 	1
⑧	Left tap board 	1
⑨	Left draw wall 	1

92725 COMPONENT PARTS

DESCRIPTION	PART NAME	Q'TY(PCS)
⑩	Right draw wall 	1
⑪	Left draw back plate 	1
⑫	Right tap board 	2
⑬	Left draw wall 	2
⑭	Right draw wall 	2
⑮	Right draw back plate 	2
⑯	Left draw bottom 	1
⑰	Right draw bottom 	2

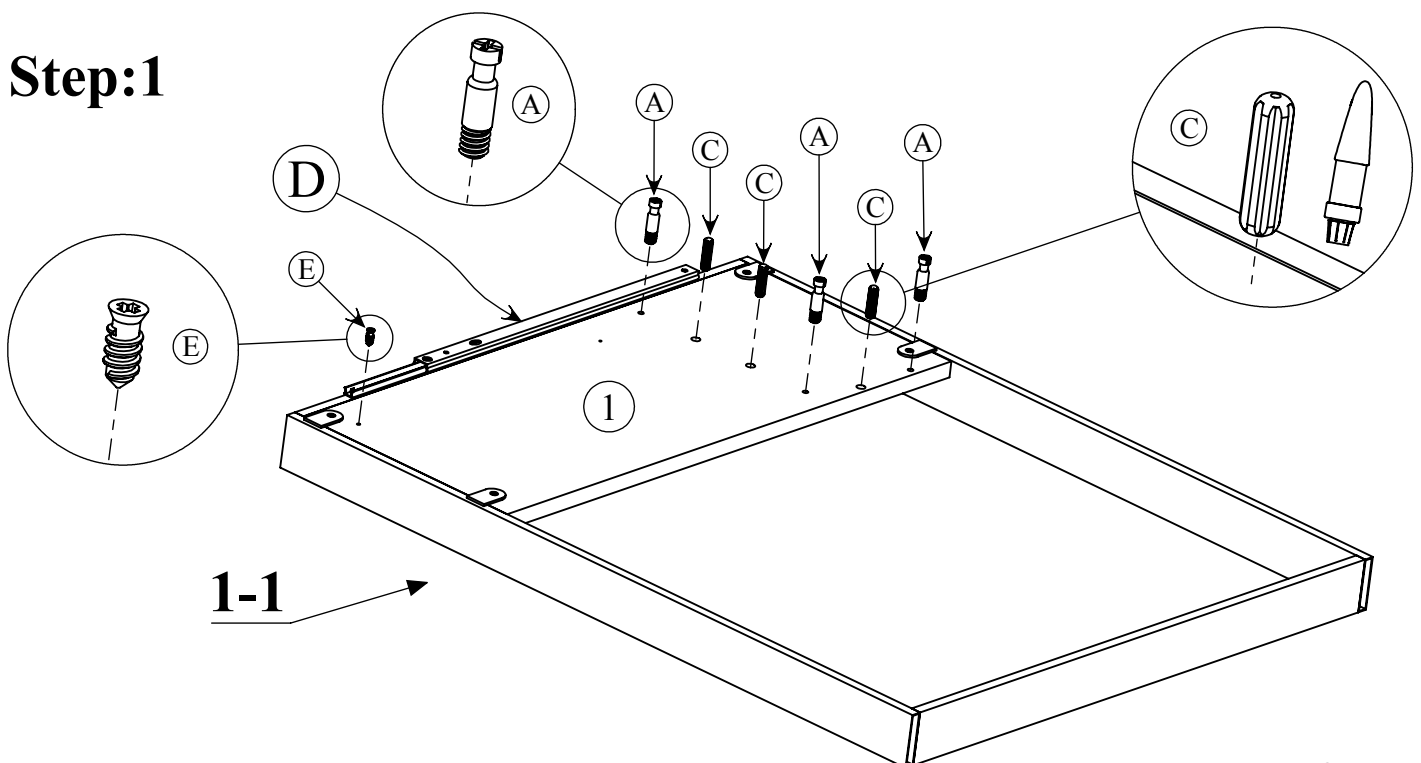
92725 Hardware List

<p>Ⓐ  Cam bolt 7*39mm 23PCS</p>	<p>Ⓒ  Slide rail screw 8.5*14mm 6PCS</p>
<p>Ⓑ  Cam lock 15*12mm 23PCS</p>	<p>Ⓓ  Iron handle 8.5*14mm 3PCS</p>
<p>Ⓒ  Wooden bolt (8*30mm) & Glue 24+1PCS</p>	<p>Ⓔ  handle screw 9*14.5mm 6PCS</p>
<p>Ⓓ  Stell ball slide 17*350mm 6PCS</p>	<p>Ⓕ  Wood screw 8*38mm 2PCS</p>
<p>Ⓔ  Wood screw 6.5*12mm 12PCS</p>	<p>Ⓖ  Iron tube screen 10.7*50mm 4PCS</p>
<p>Ⓕ  Wood screw 8*31mm 12PCS</p>	<p>Ⓖ  Bolt (11*28mm) & Allen Key 6+1PCS</p>

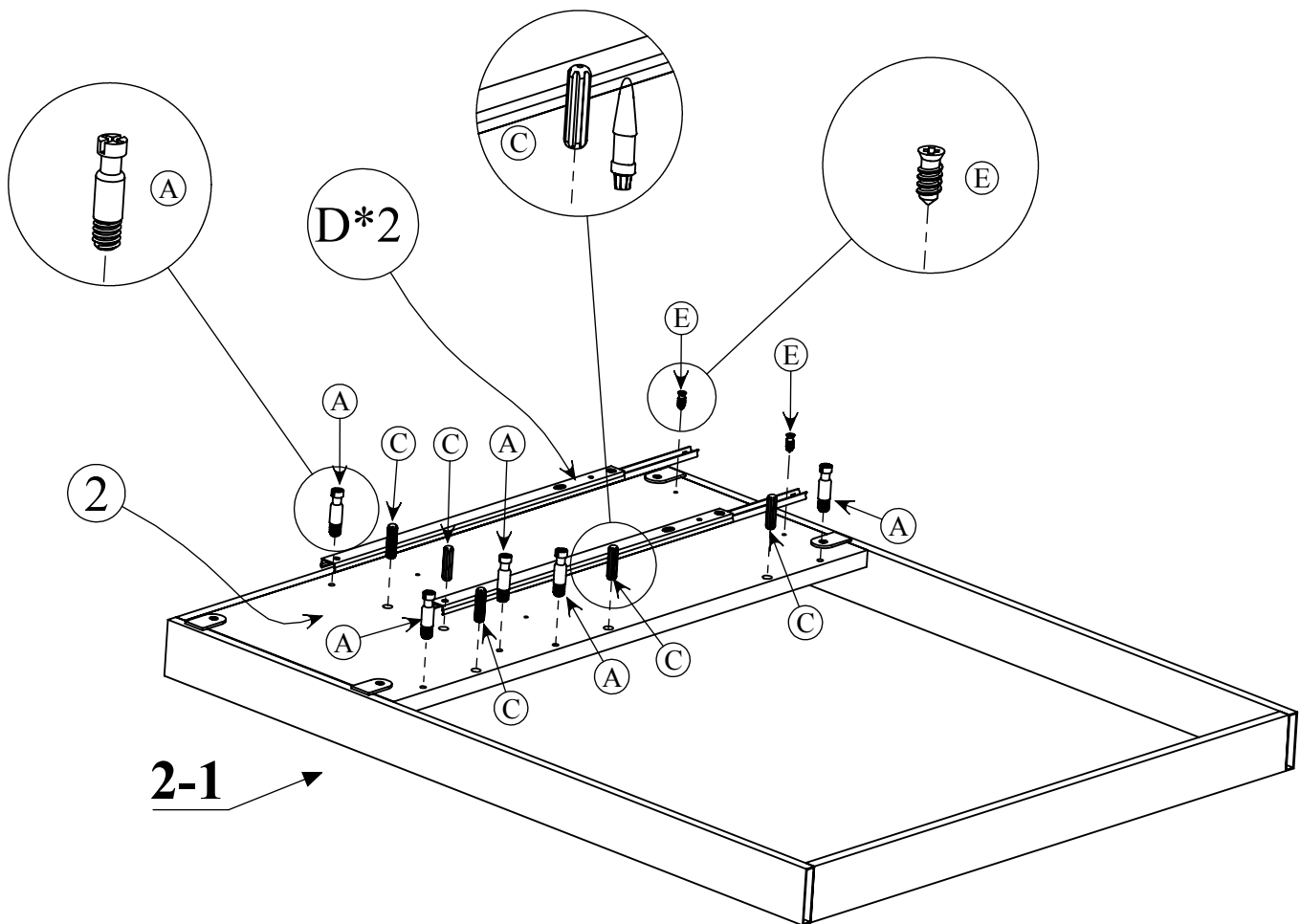
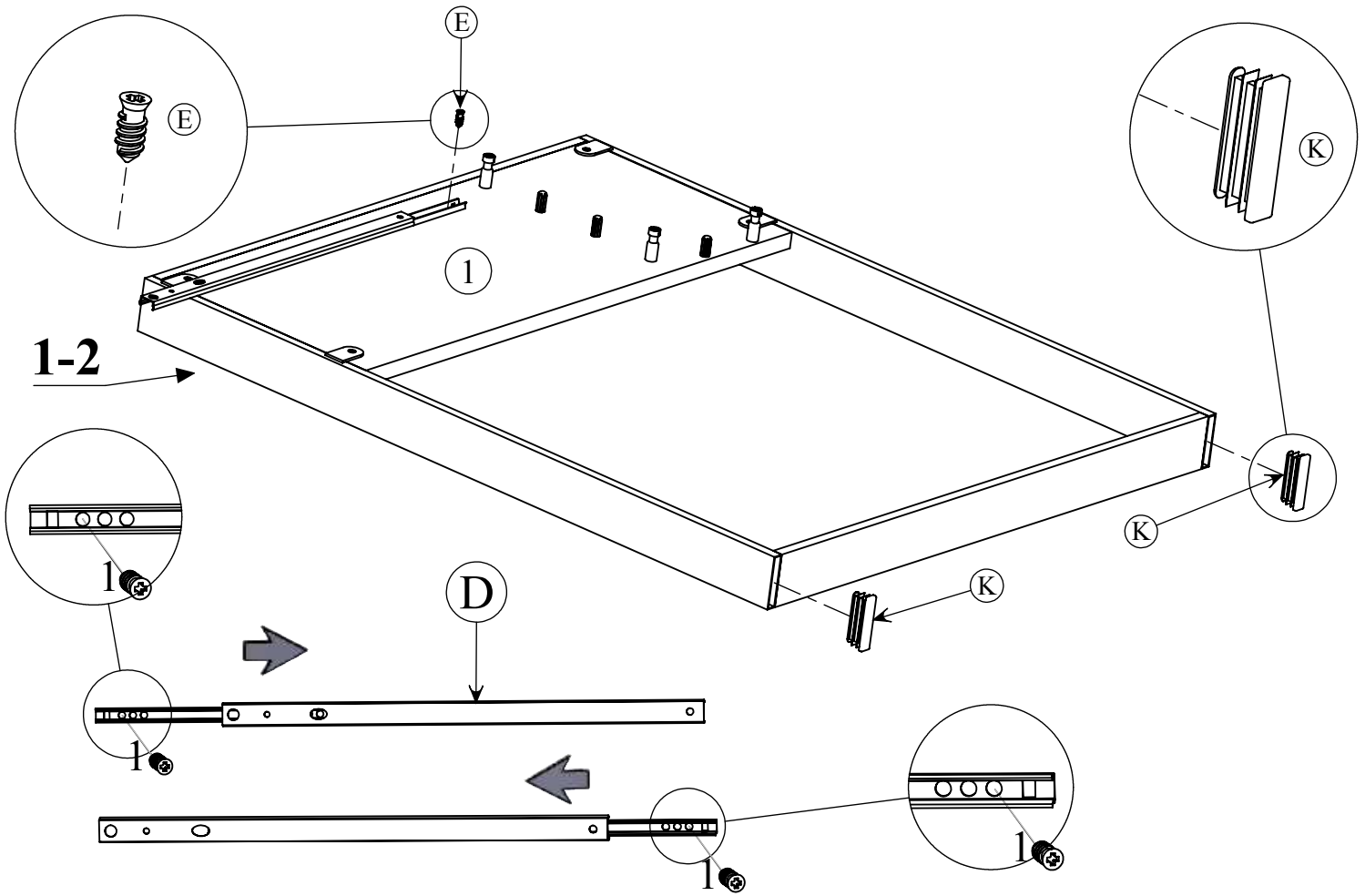
Attention

Some number parts listed on the instruction sheet may not be in parts bag as they may already be assembled. Carefully check parts and packing materials prior to ordering replacements.

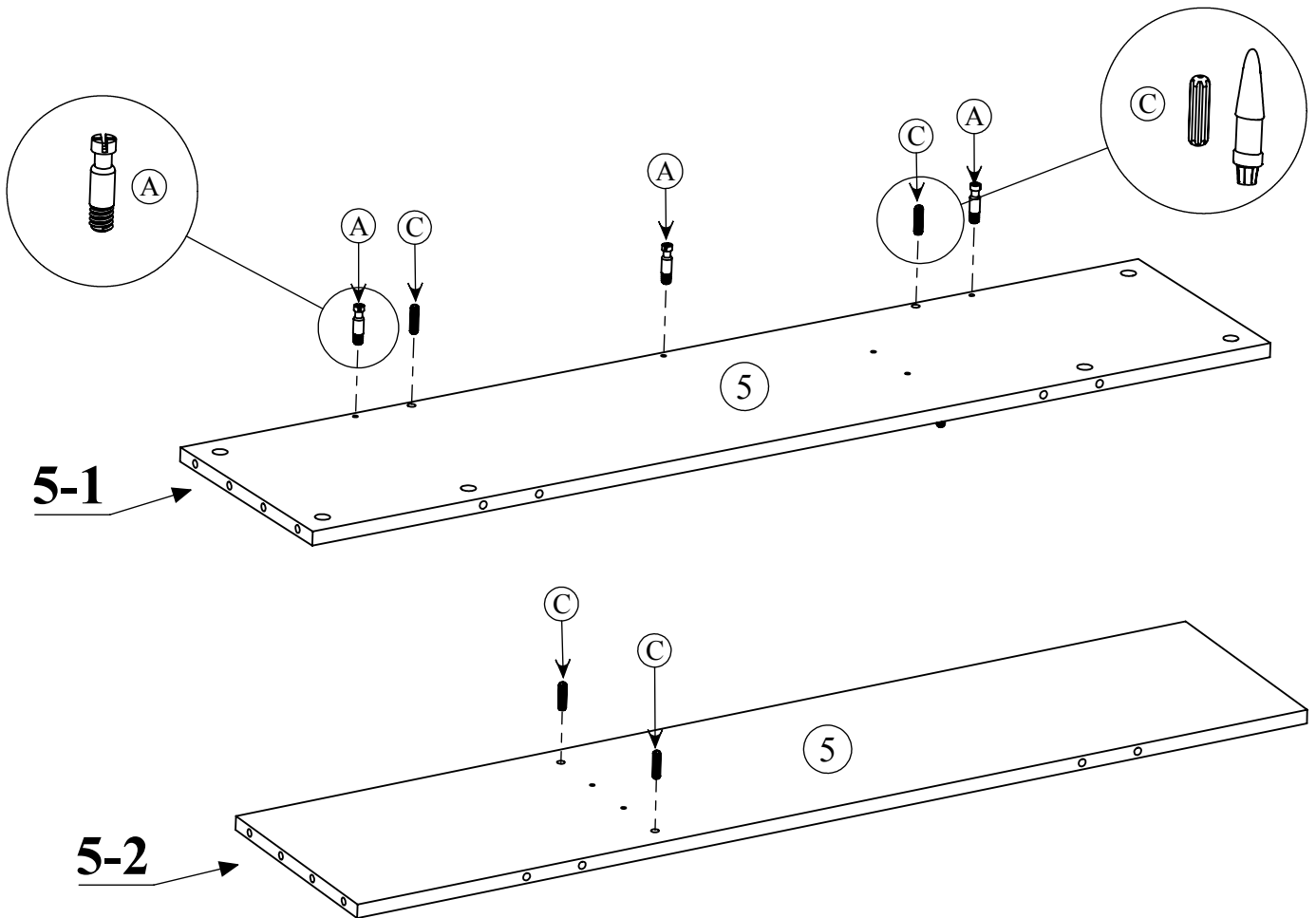
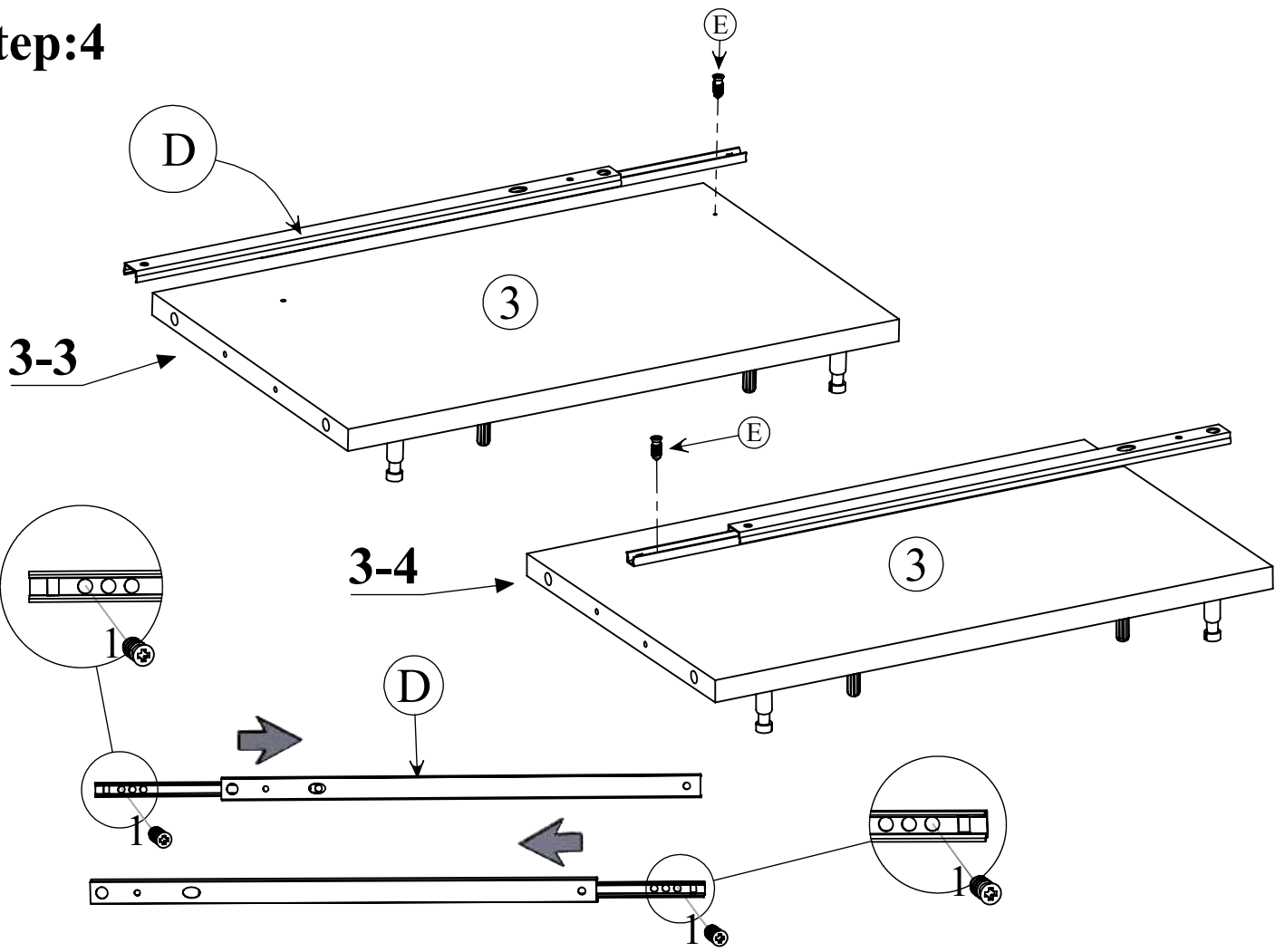
Step:1



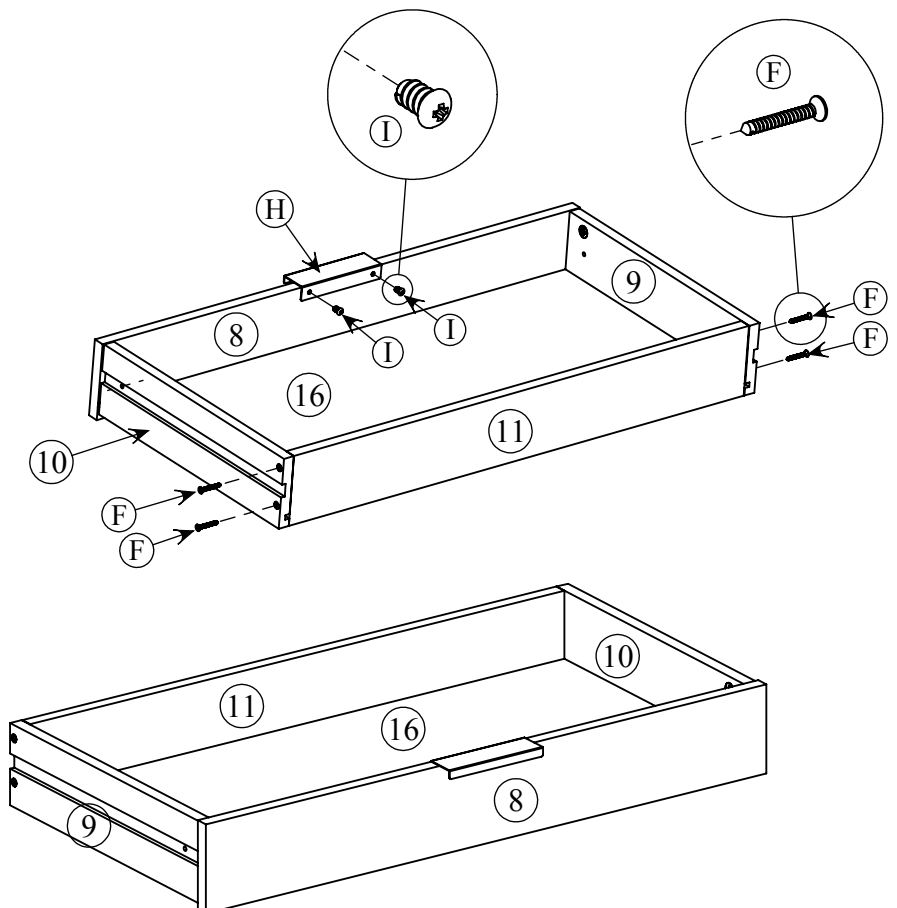
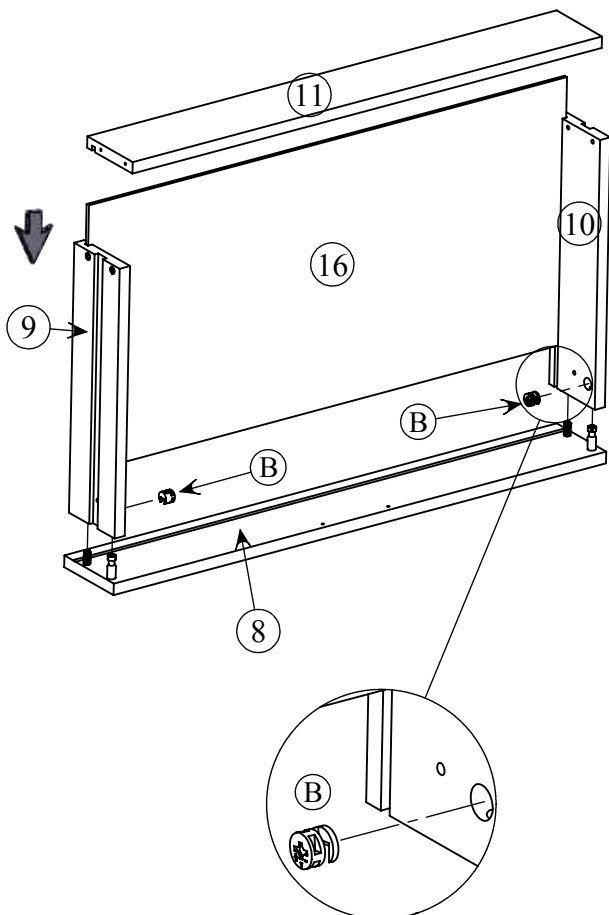
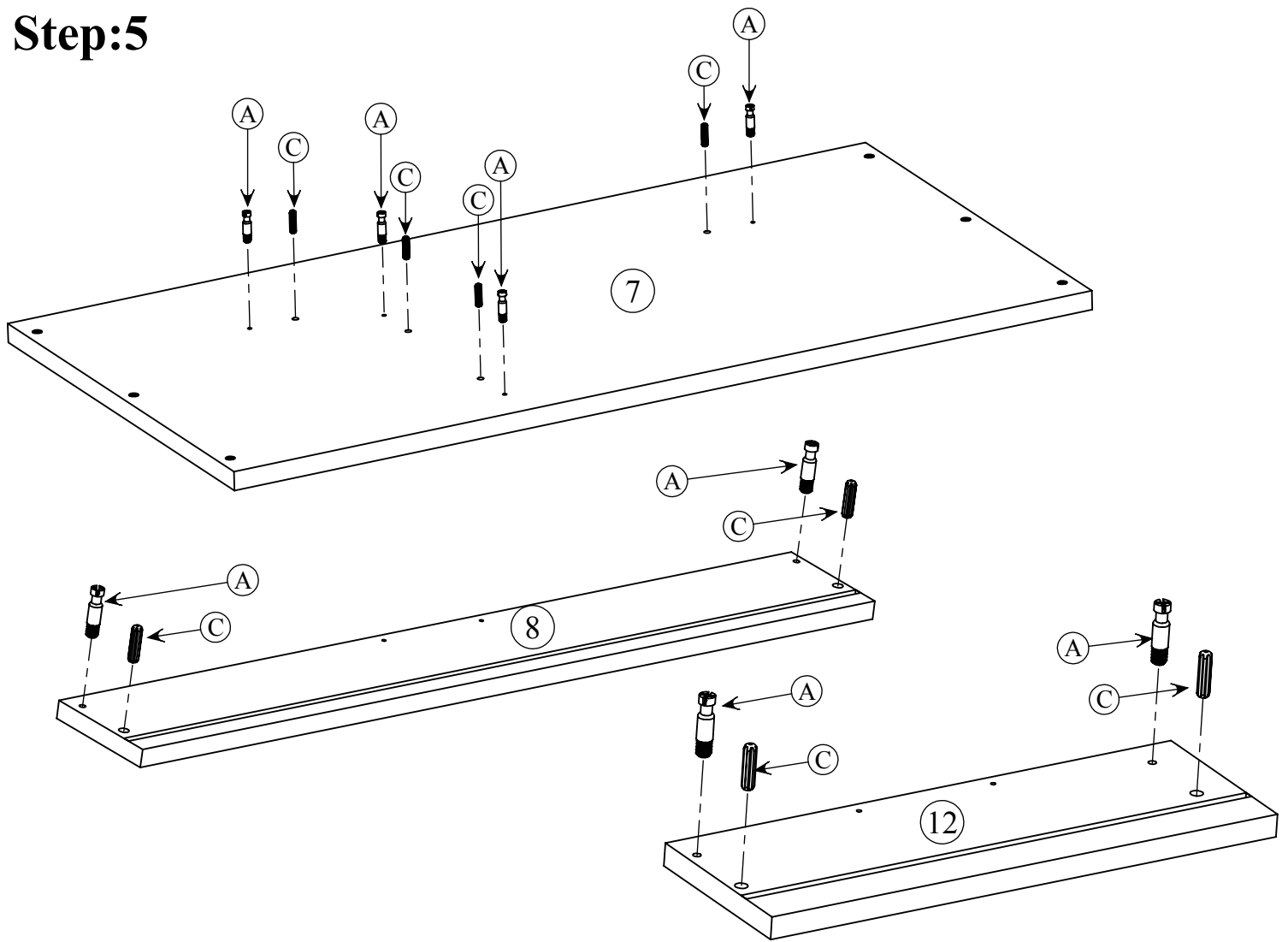
Step:2



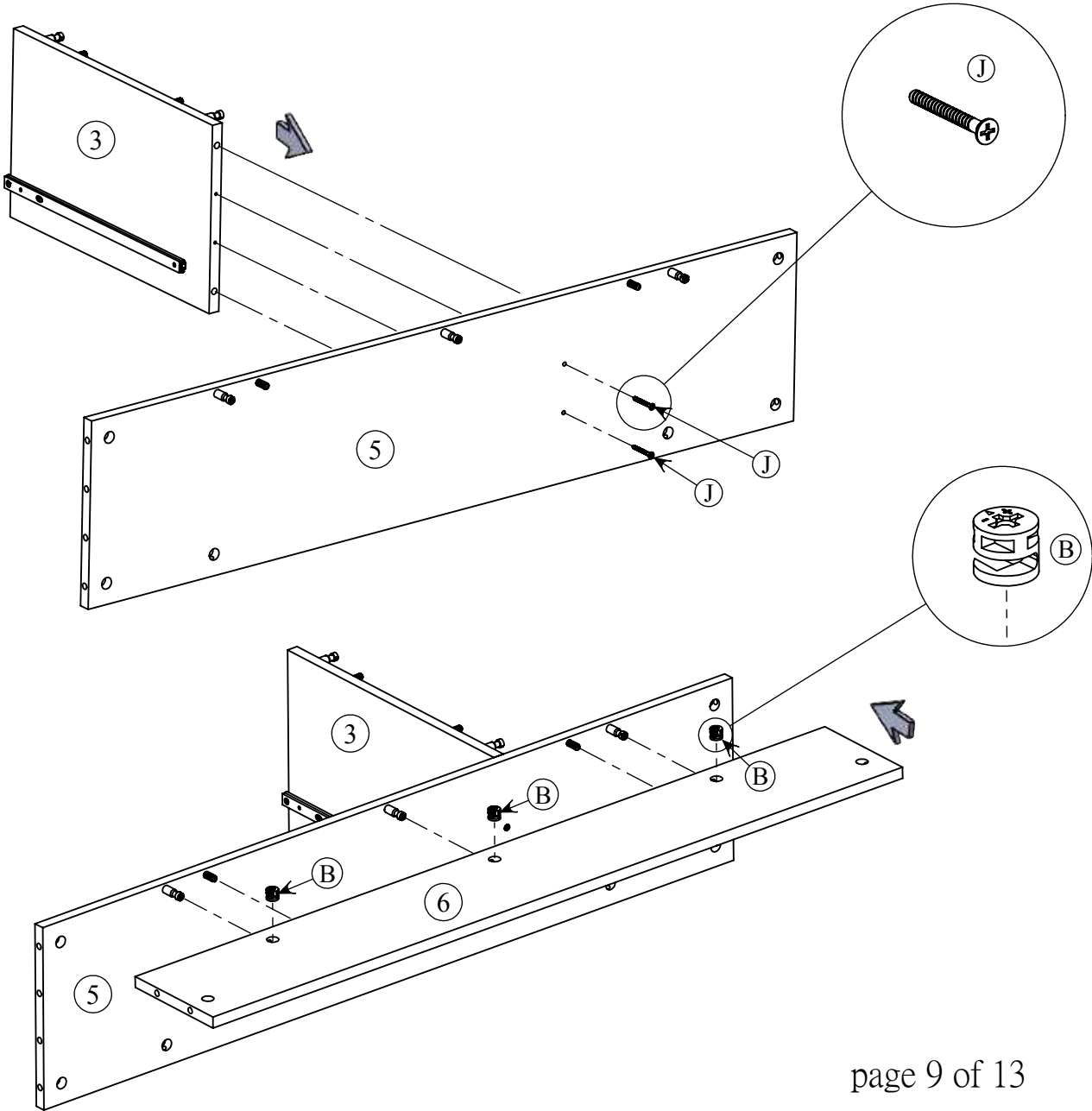
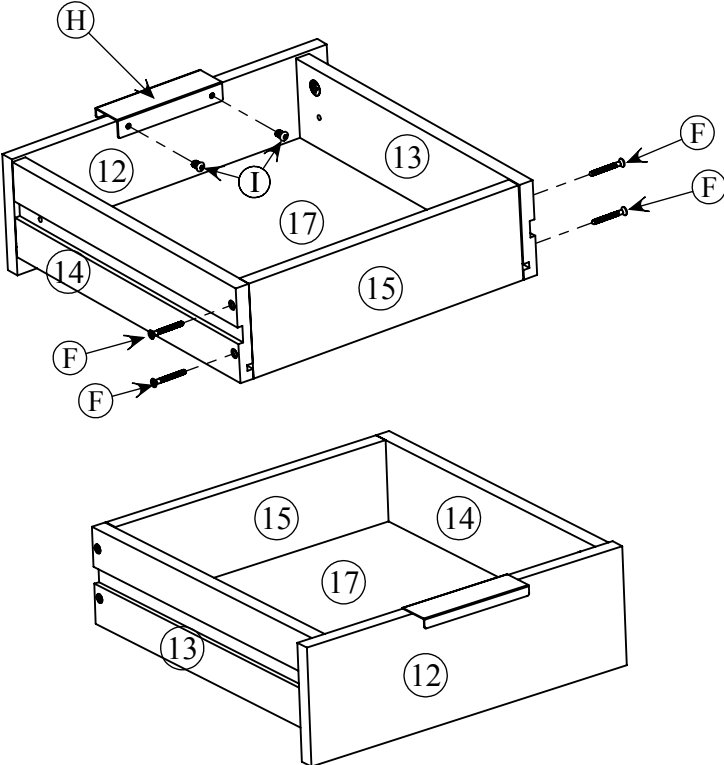
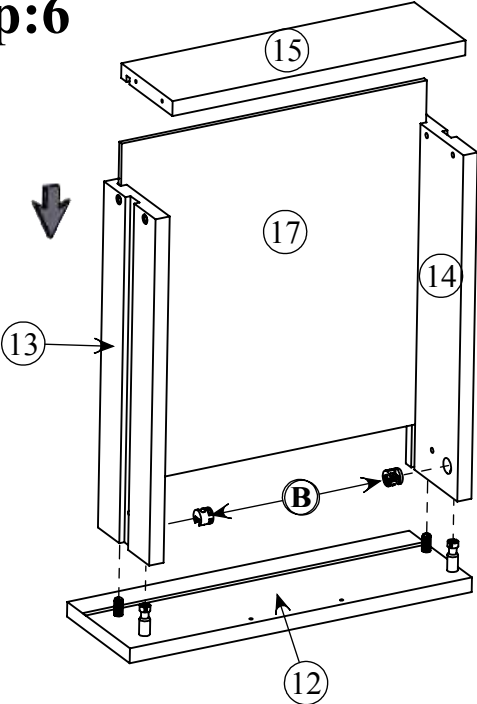
Step:4



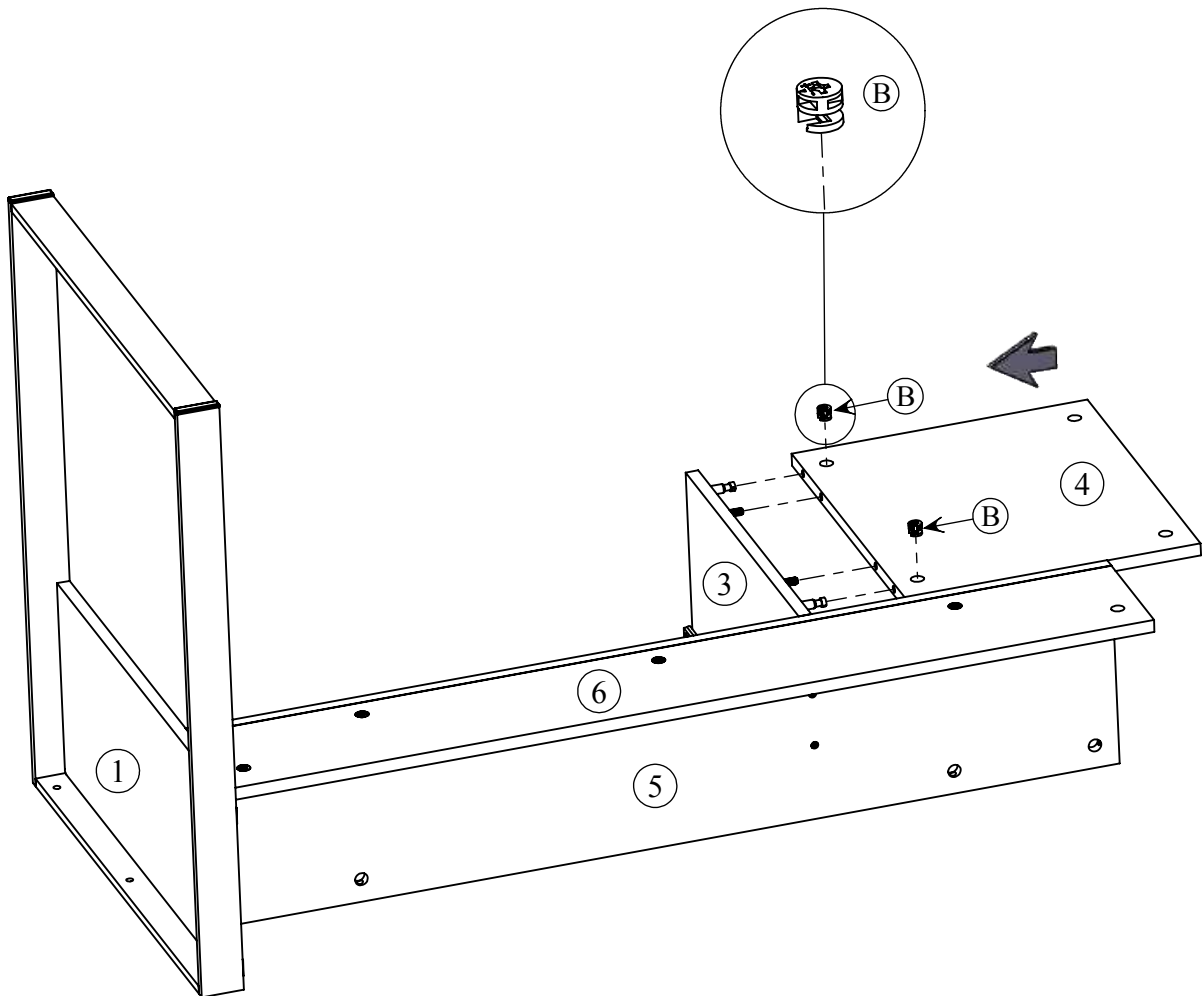
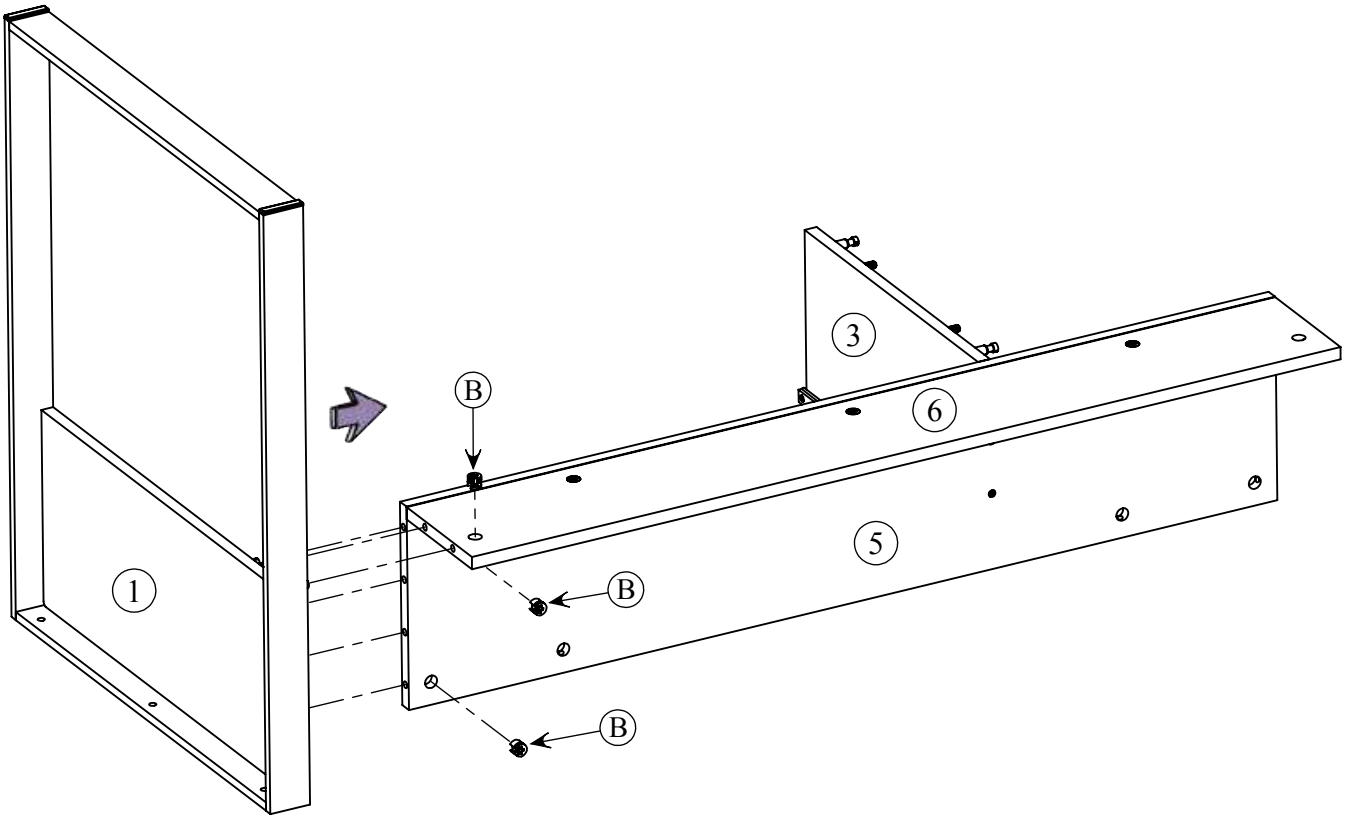
Step:5



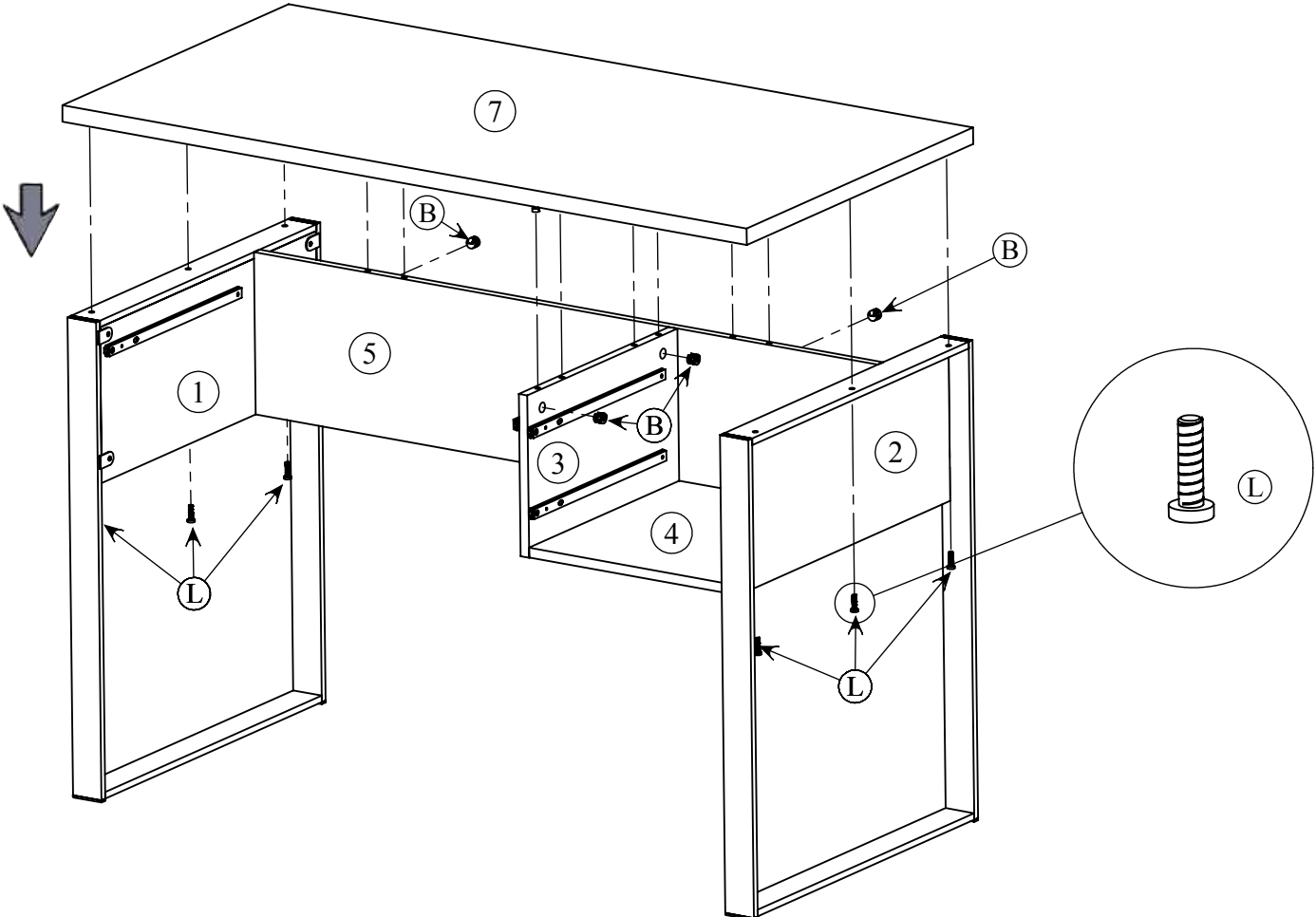
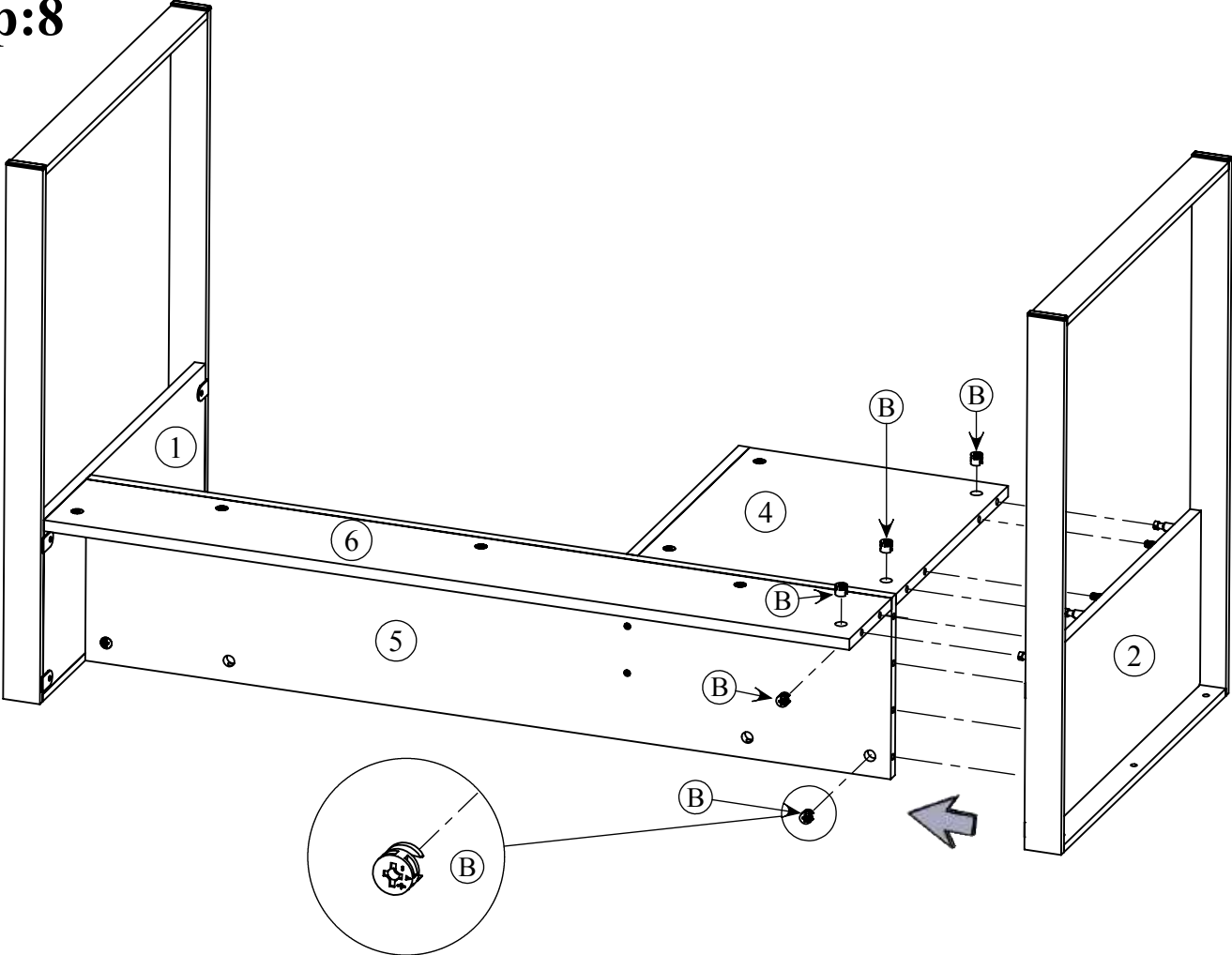
Step:6



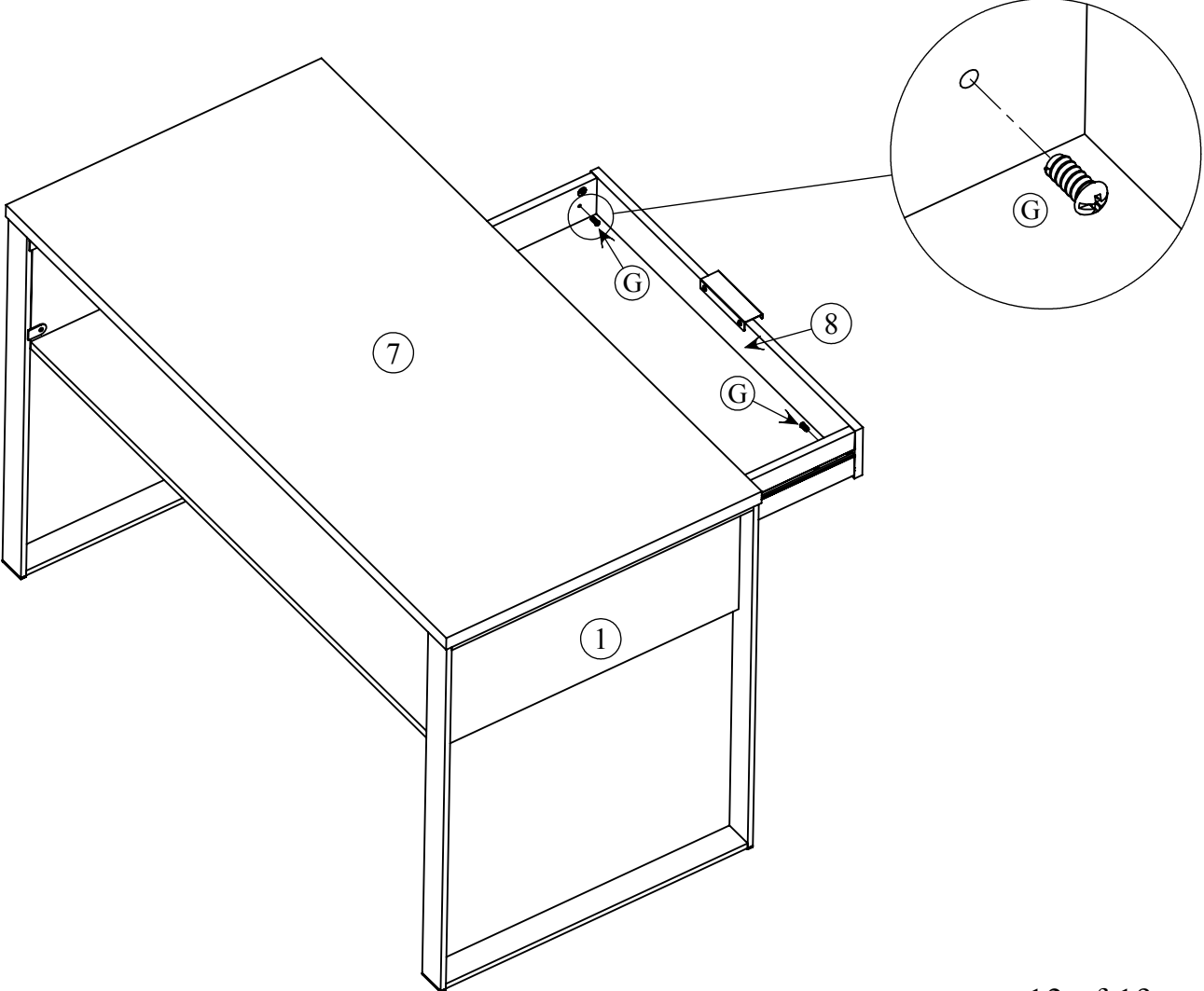
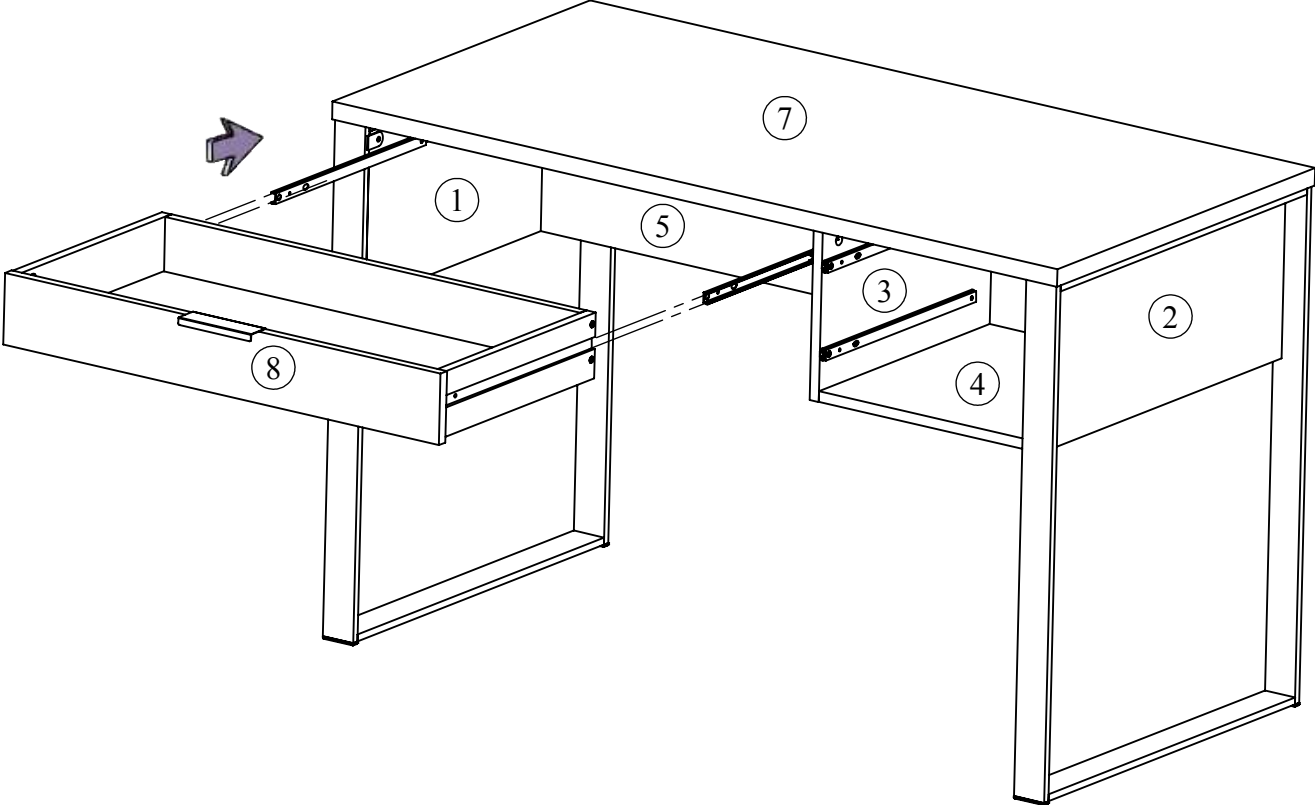
Step:7



Step:8



Step:9



Step:10

