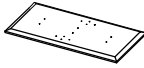

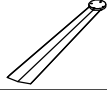



ASSEMBLY INSTRUCTION FOR ACME FURNITURE




Model: #DN00219

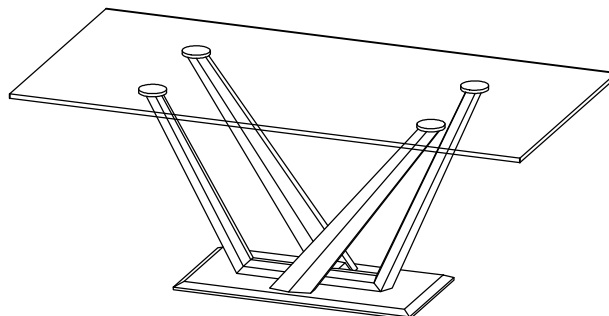
Thank you for purchasing the quality product. Be sure to check all packing material carefully for small parts which may have come loose inside the carton during shipment. Separate, Identify and count all parts and metal hardware. Compare with all parts listed to be sure all parts are present. If any part(s) are missing or damaged, please contact your local furniture dealer. For efficient and speedy service, please indicate the model number and code letter of part(s) needed"

****Do not fully tighten screws until fully assembled****

COMPONENT PARTS		
DESIGNATION	PART NAME	QTY (PCS)
A	Stainless Steel Base 	1
B	Stainless Steel Pillar 	1
C	Stainless Steel Pillar 	2
D	Table top 	1

HARDWARE REQUIRED

1	Allen Key	1 1	M6 M4	
2	Bolt	14	M8*20	
3	Bolt	8	M6*12	
4	Washer	14	Dia20mm	
5	Washer	8	Dia17mm	
6	Adjust Leg	4	Dia20	

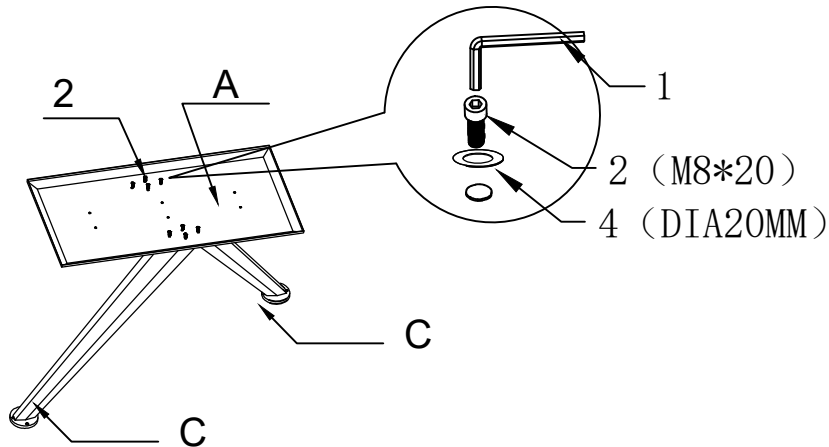


Attention

***Some number parts listed on the instruction sheet may not be in parts bag as they may be assembled. Carefully check parts and packing materials prior to ordering replacements.

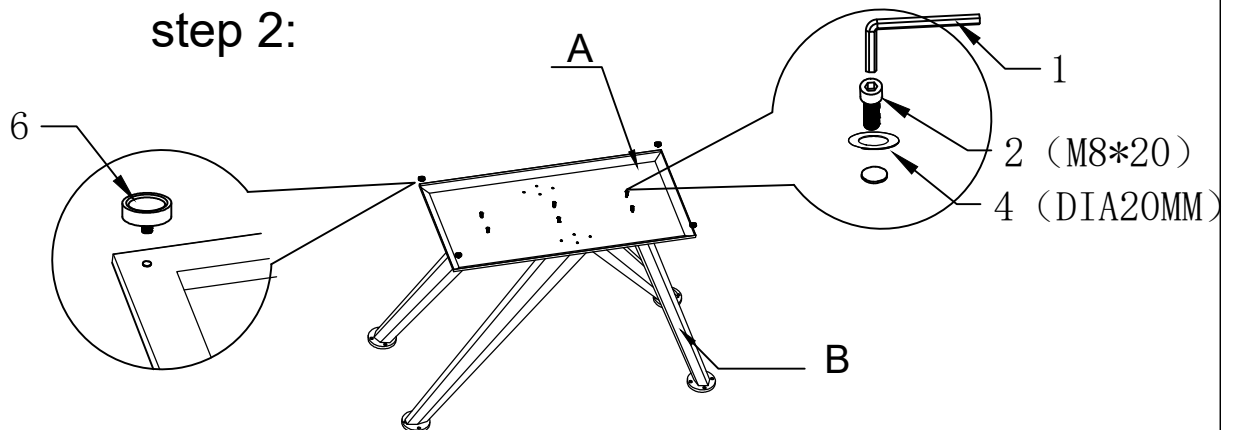
How to assemble

step 1:



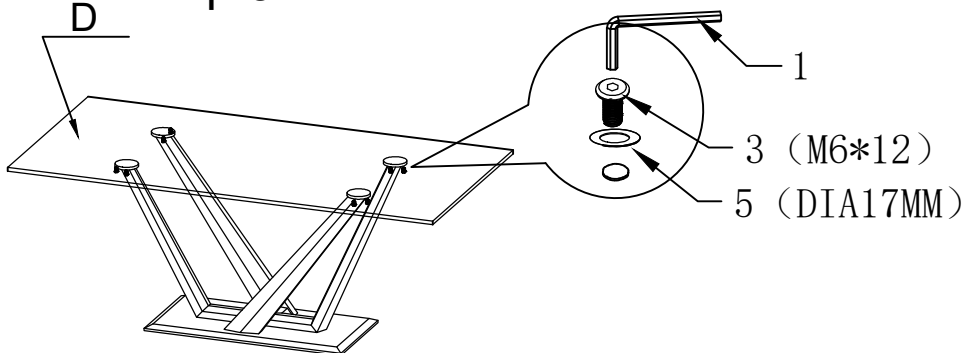
Connect stainless steel base (A) with stainless steel pillar(C) by Bolt(M8X20)

step 2:



Connect stainless steel base (A) with stainless steel pillar(B) by Bolt(M8X20)

step 3:



Place the Table top (D) on the Table top frame (C) by Bolt (M6*12)