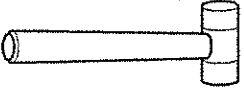
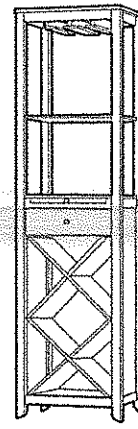
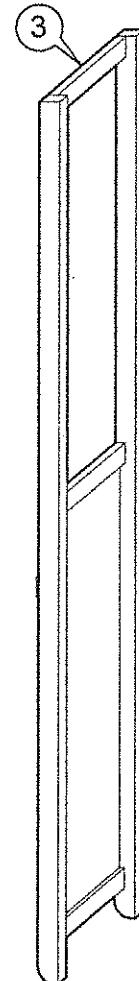
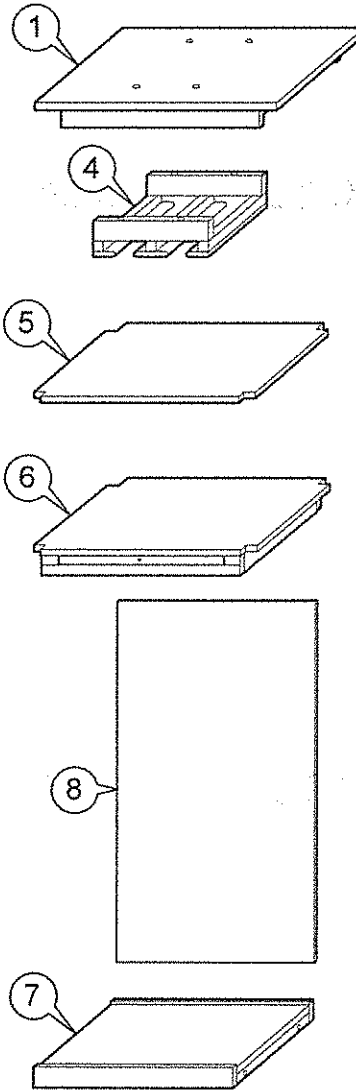
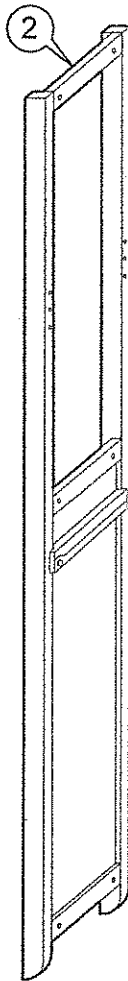
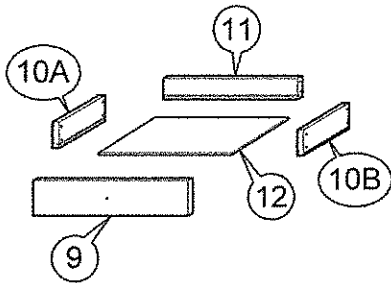


ASSEMBLY INSTRUCTIONS

Item : 12244 Austin Wine Tower

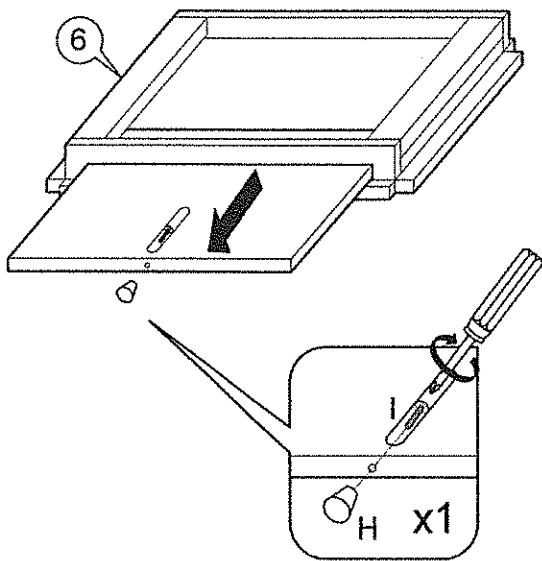


Not Provided

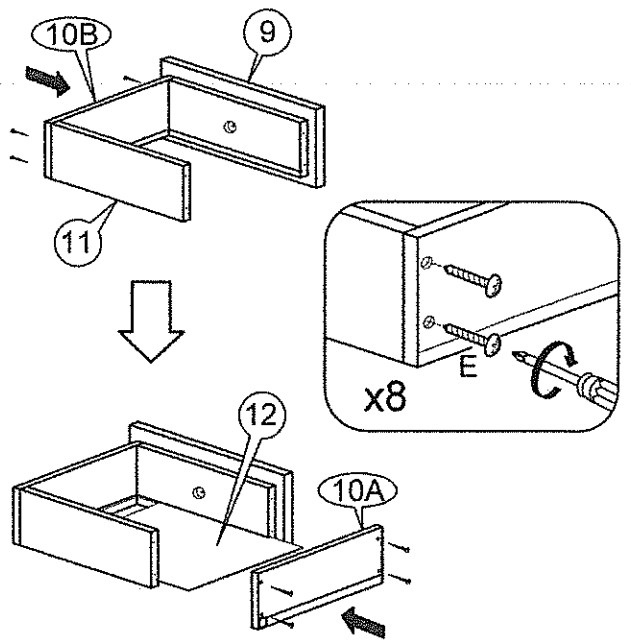


A	M6 x 30mm = 12	D	M6 x 13mm = 16	G	= 4	K	M3 x 16mm (Black) = 2
B	M6 x 45mm = 4	E	Pan Head #8 x 1 1/4" = 8	H	= 2	L	= 1
C	1/4" = 12	F	= 1	I	20mm = 2	M	= 2

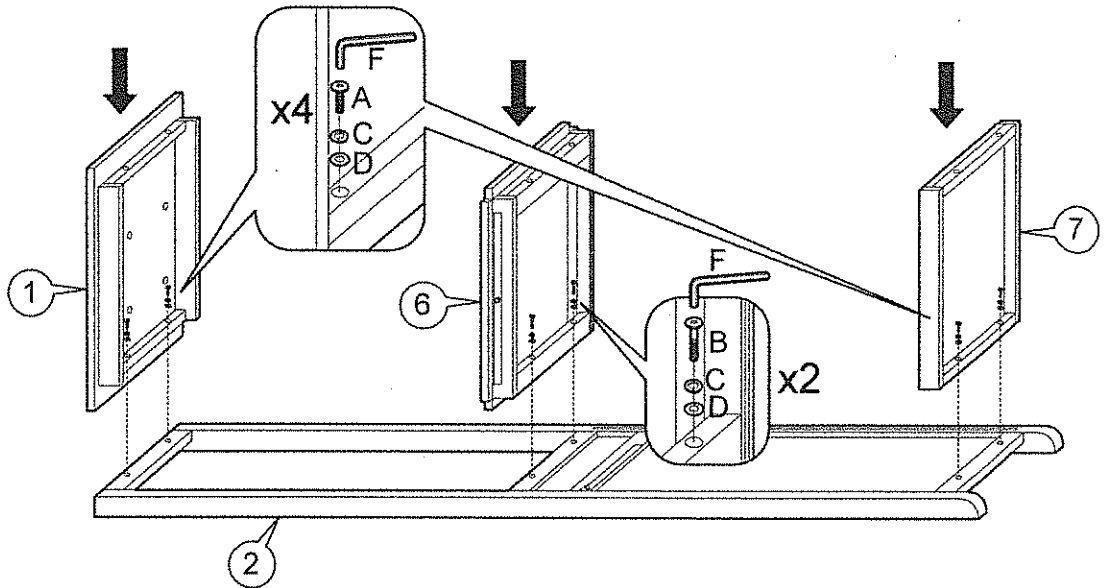
1



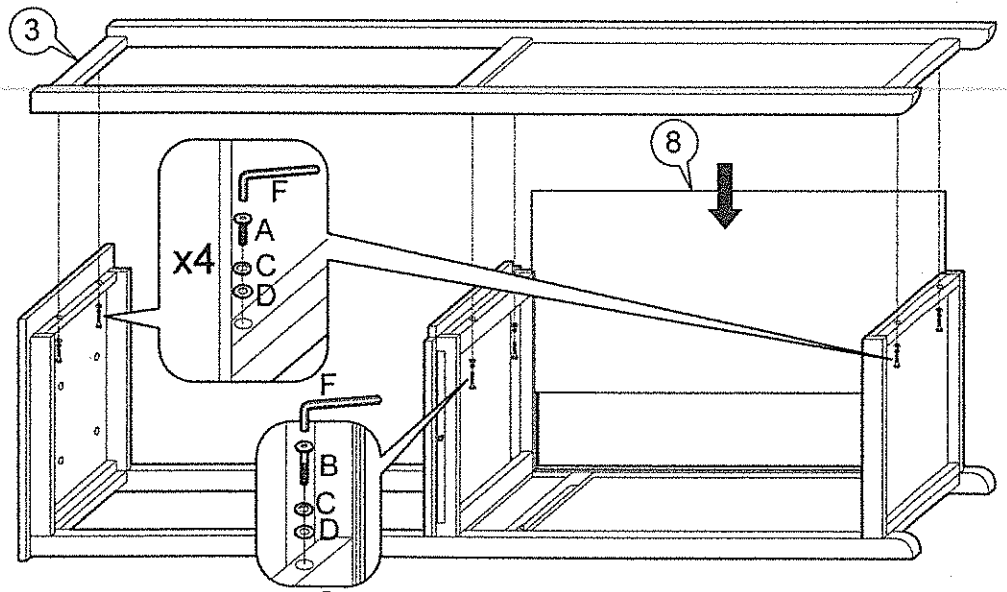
2



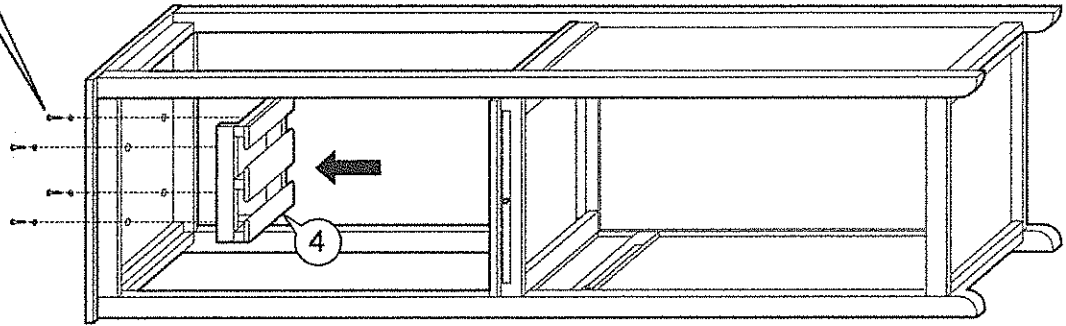
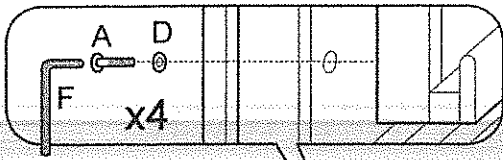
3



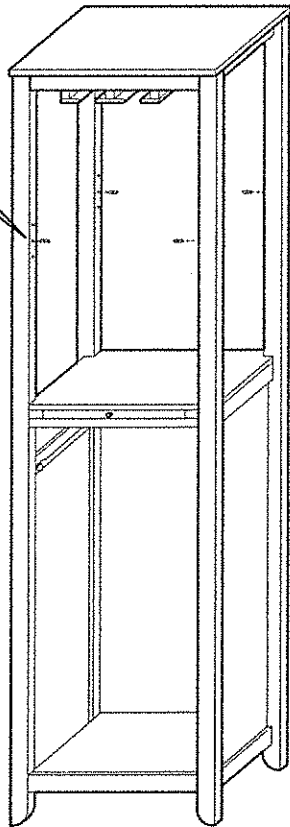
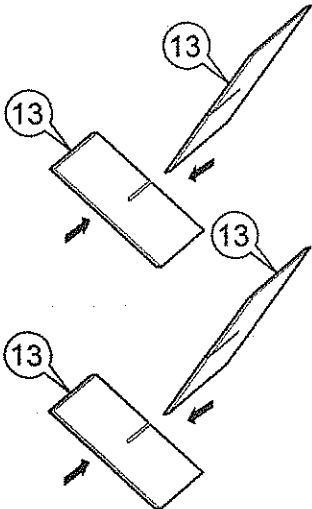
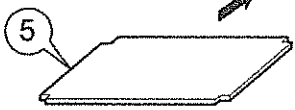
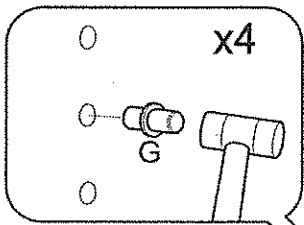
4



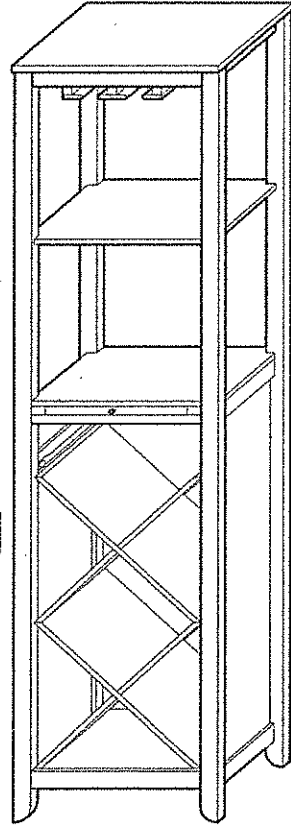
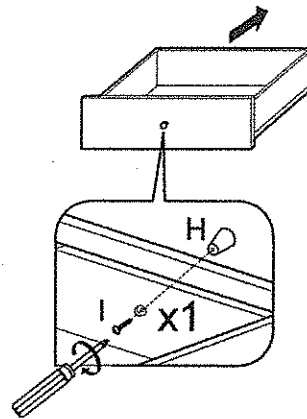
5



6



7

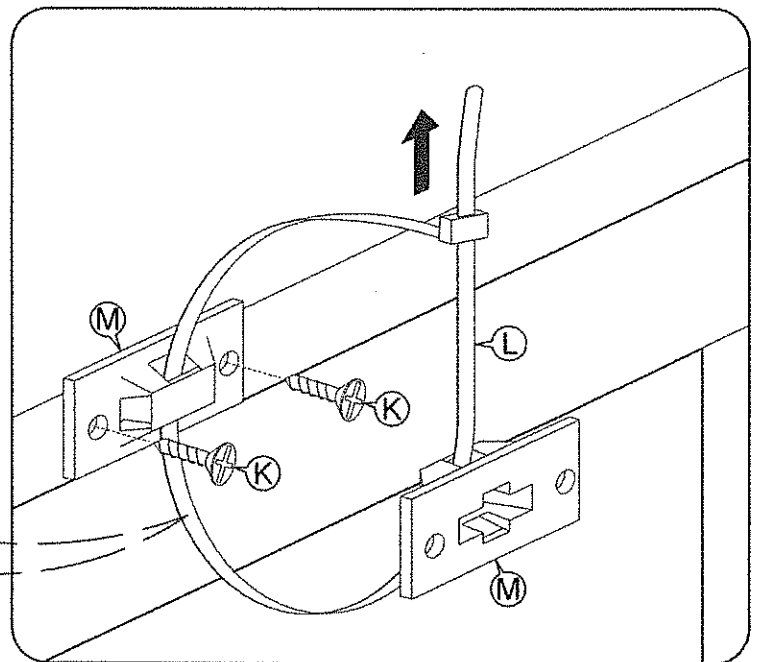


HOW TO FIT SAFETY STRAP

ADD SAFETY STRAP (M) TO BACK OF WINE RACK USING SCREW (K) (PROVIDED) AS SHOWN.

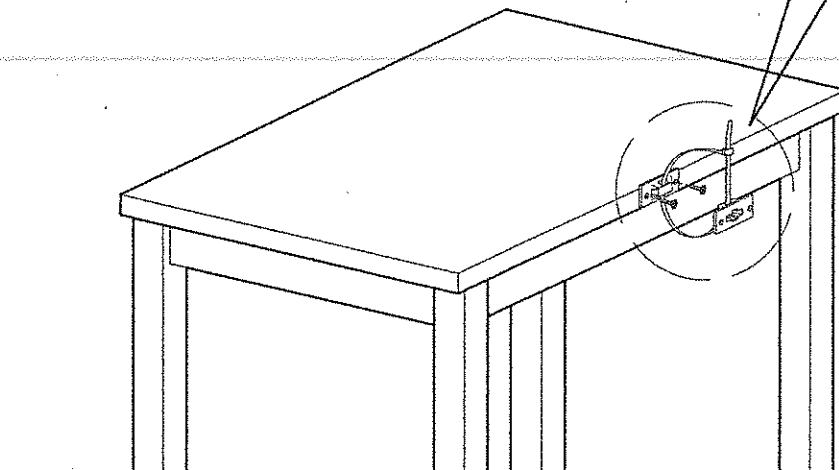
SECURE OPPOSITE END OF SAFETY STRAP TO WALL USING APPROPRIATE SCREW/PLUG FOR TYPE OF WALL (NOT PROVIDED).

PHILIPS HEAD SCREWDRIVER TOOL REQUIRED



Lace one end of the wall strap (L) through both brackets, and into the other end of the strap.

Pull the strap tightly until secure.



BACK VIEW