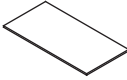
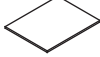
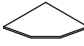










ASSEMBLY INSTRUCTION FOR ACME FURNITURE






MODEL# OF00044/OF00045

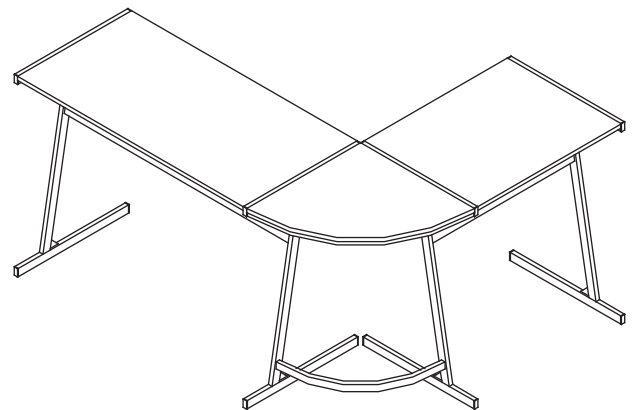
Thank you for purchasing the quality product. Be sure to check all packing material carefully for small parts which may have come loose inside the carton during shipment. Separate, identify and count all parts and metal hardware. Compare with all parts list to be sure all parts are present. If any part(s) are missing or damaged, please contact your local furniture dealer. For efficient and speedy service, please indicate the model number and code letter of part(s) needed.

Do not fully tighten screws until fully assembled

	COMPONENT PARTS		
DESCRIPTION	PART NAME		Q'TY (PCS)
①	Main Desktop		1
②	Sub Desktop		1
③	Corner Desktop		1
④	Outer Frame		2
⑤	Inner Frame		2
⑥	Main Table Connecting Rod		2
⑦	Main Table Back Panel		1
⑧	Sub Table Connecting Rod		2
⑨	Sub Table Back Panel		1
⑩	Corner Frame		1
⑪	Corner Connecting Rod		1

HARDWARES REQUIRED

- A  BOLT $\frac{1}{4}$ " * $2\frac{1}{8}$ " - 8 PC
- B  BOLT $\frac{1}{4}$ " * $\frac{7}{8}$ " - 18 PCS
- C  BOLT $\frac{1}{4}$ " * $\frac{3}{8}$ " - 8 PCS
- D  CAM NUT- 8 PCS
- E  ALLEN KEY - 1 PC

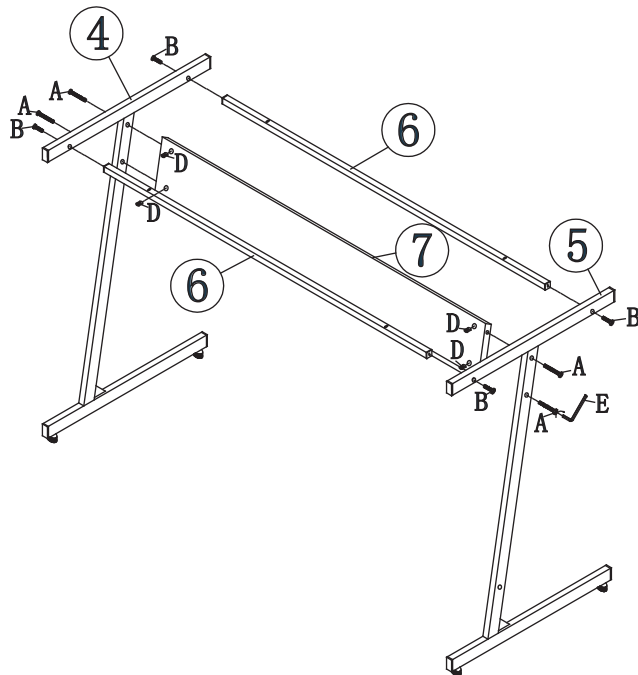


Attention:

*** Some number parts listed on the instruction sheet may not be in parts bag as they may already be assembled. Carefully check parts and packing materials prior to ordering replacements.

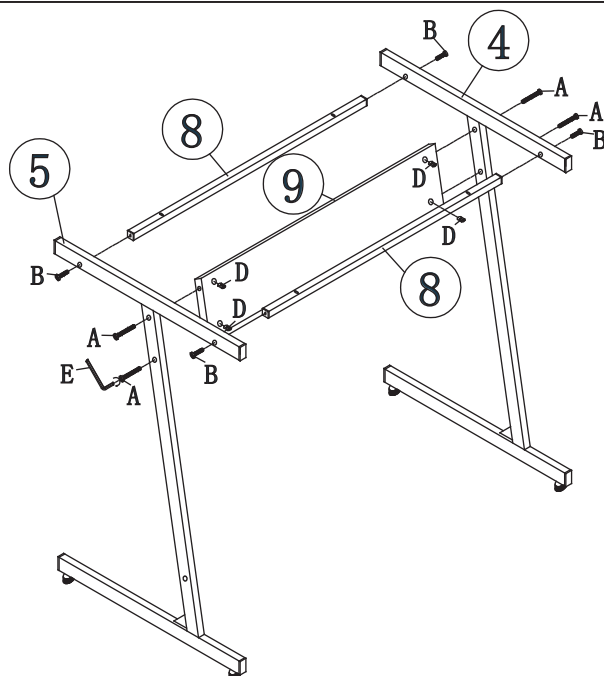
How to assemble:

STEP 1:



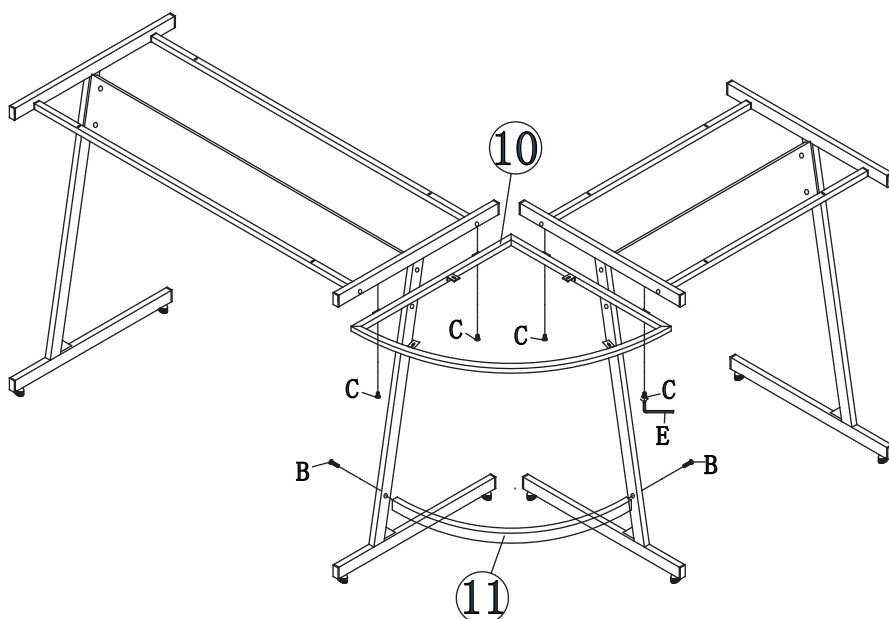
- Ⓐ $1/4" \times 2 1/8" = 4\text{pcs}$
- Ⓑ $1/4" \times 7/8" = 4\text{pcs}$
- Ⓓ CAM NUT = 4pcs

STEP 2:



- Ⓐ $1/4" \times 2 1/8" = 4\text{pcs}$
- Ⓑ $1/4" \times 7/8" = 4\text{pcs}$
- Ⓓ CAM NUT = 4pcs

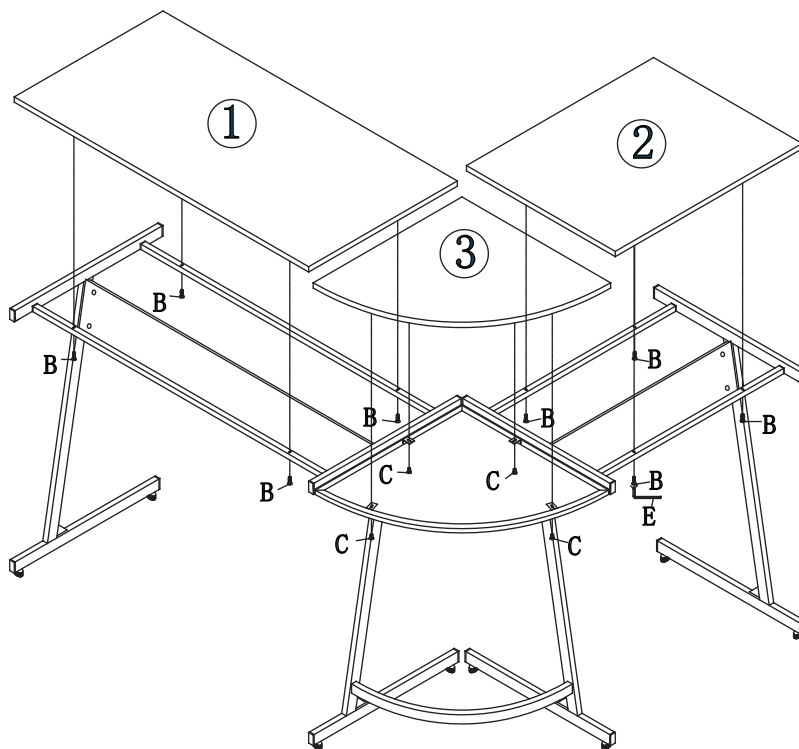
STEP 3:



- Ⓑ $1/4" \times 7/8" = 2\text{pcs}$
- Ⓒ $1/4" \times 3/8" = 4\text{pcs}$

How to assemble:

STEP 4:



Ⓑ $1/4" \times 7/8" = 8\text{pcs}$

Ⓒ $1/4" \times 3/8" = 4\text{pcs}$

STEP 5:

